



Parts Manual

MAGNUM PLUS



Website: www.transicold.net
Email: sales@tktransicold.com

Website: www.transicold.net
Email: sales@tktransicold.com

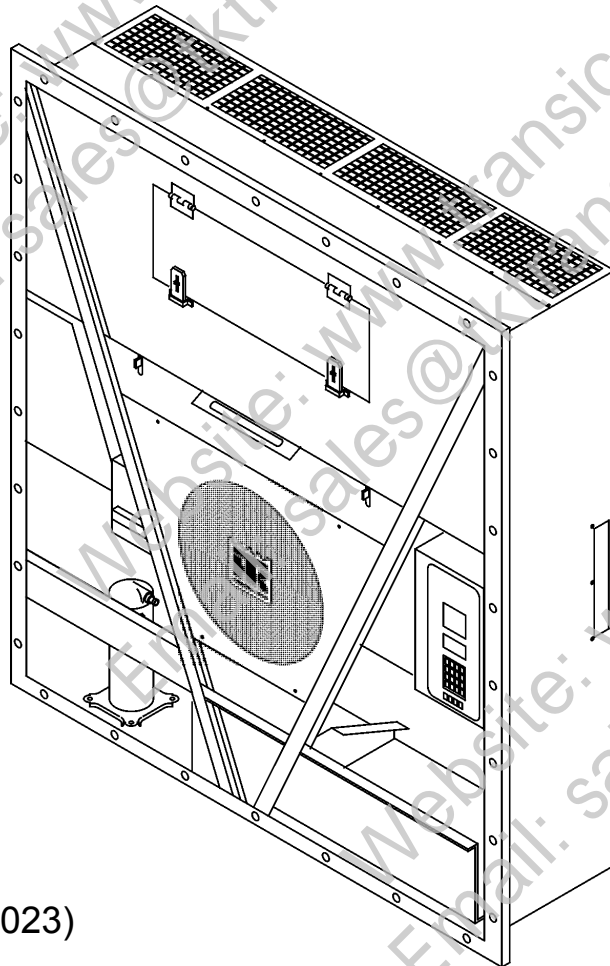
Website: www.transicold.net
Email: sales@tktransicold.com

Website: www.transicold.net
Email: sales@tktransicold.com



MAGNUM PLUS

54356



Printed (June 13, 2023)

Copyright © 06/01/23 – Thermo King Corp. - Minneapolis, MN U.S.A.
Printed in the U.S.A.

General Information

Table of Contents

This Parts Manual contains a numerical table of contents listing each assembly name, its associated Grid number and page number. The numerical table of contents is arranged numerically by Grid number. There are references in a parts list referring to other Grid numbers; the numerical table of contents is arranged to facilitate finding the referenced illustrations.

Contact Information

Customer Service:

844-TKCOLDE (844-852-6533)

Dealer Locator:

<http://dealers.thermoking.com/dealer-locator.html>

Assemblies and Subassemblies

When parts are indented in the description preceded with an asterisk (*). This indicates it is available separately or included in an



GRID NO. 67D6

SWITCH PANEL ASSEMBLY

| REF | PART NO. | DESCRIPTION | QTY |
|-----|----------|----------------------|-----|
| | 451239 | PANEL - assy, switch | 1 |
| 1 | 991960 | *PANEL | 1 |
| | 996280 | **NAMEPLATE - panelx | 1 |
| 2 | 330743 | *GASKET | 1 |

For example: The Switch Panel Nameplate (996280) is available separately, available as part of the Switch Panel (991960) and with the Panel Assembly (451239).

ABBREVIATIONS:

The following abbreviations appear in Parts Manuals.

| | | |
|--|---------------------------------------|---|
| A AC alternating current | exp expansion | ors o-ring seal |
| A/R as required | ext external | P pcb printed circuit board |
| accum accumulator | F F Fahrenheit | pkg package |
| adj adjusting | fill fillister | ph phase |
| al aluminum | fi fuel injection | pos positive |
| alt alternator | fl flare | psi pounds per square inch |
| A or amp ampere | fpt female pipe thread | R rad radiator |
| assy assembly | ft feet | rcvr receiver |
| ASQ Ask for Quote | ftg fitting | ref reference |
| B bd board | G gal gallon | reg regulator |
| brg bearing | H hex hexagon | req required |
| brkr breaker | hh hexagon head | rpm revolutions per minute |
| brkt bracket | hd head | S sec second |
| C C Celsius | hp horsepower | sid solder |
| cw clockwise | hsg housing | soc hd socket head |
| ccw counter-clockwise | I id inside diameter | sol solenoid |
| cam camshaft | in inch (2.54 cm) | spl special |
| cm centimeters | incl includes | sq square |
| compr compressor | inj injection | ss stainless steel |
| cond condenser | int internal | std standard |
| conn connector | int th internal tooth | stl steel |
| cyl cylinder | K kW kiloWatt | suct suction |
| D def defrost | L L Liter (Litre) | sw switch |
| deg degree | liq liquid | T TBD To Be Determined |
| dehyd dehydrator | lg long | term terminal |
| dia diameter | M M Meter (Metre) | temp temperature |
| DC direct current | mm Millimeter (Millimetre) | thk thick |
| disc discharge | mpt male pipe thread | TSA Transport Solutions Americas |
| diff differential | mod modulating | U us undersize |
| E EMI Extended Maintenance Interval | N neg negative | V vib vibrator/ber |
| EMEIA Europe, Middle East, India and Africa | No number | V Volt |
| eng engine | NS not supplied | W W watt |
| exch exchanger | NSS not sold separately | w/ with |
| | O os oversized | w/o without |
| | od outside diameter | |



MAGNUM PLUS

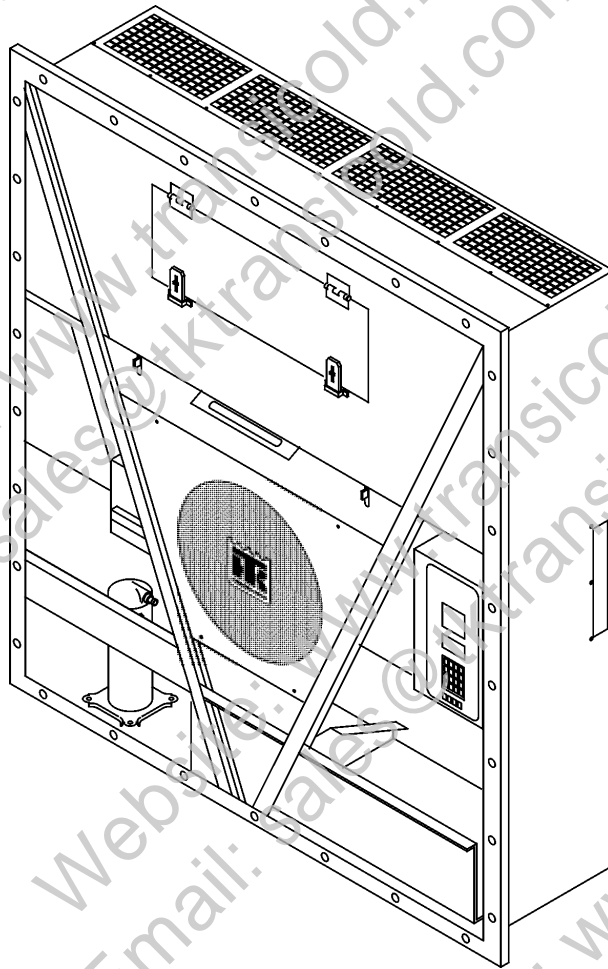
Contents

| Grid Name | Grid | Page |
|---|--------|------|
| MAGNUM PLUS REFERENCE SHEET | 14U3 | 4 |
| CONDENSER FAN GROUP | 235E8 | 6 |
| CONDENSER FAN GROUP w/ Micro Channel Coil | 298F3 | 8 |
| EVAPORATOR FAN GROUP | 235E9 | 10 |
| REFRIGERATION COMPONENTS (SERVICE VALVES) | 235E0 | 14 |
| REFRIGERATION COMPONENTS (WCC, SERVICE VALVES) | 189B9 | 20 |
| REFRIGERATION COMPONENTS w/ Micro Channel Coil (SERVICE VALVES) | 298F2 | 26 |
| WATER COOLED CONDENSER | 154E13 | 32 |
| COMPRESSOR GROUP (SERVICE VALVES) | 259C5 | 34 |
| ELECTRICAL COMPONENTS | 235G1 | 38 |
| CONTROL BOX (mP-4000) | 235G2 | 42 |
| CONTROL BOX DOOR (mP-4000) | 235G3 | 46 |
| TRANSFORMER GROUP | 298F1 | 50 |
| DOWNLOAD CABLES | 226E2 | 52 |
| USDA DOWNLOAD PANEL | 235G4 | 54 |
| USDA DOWNLOAD PANEL | 247C9 | 56 |
| CONDENSER COMPONENTS | 235G5 | 58 |
| EVAPORATOR HEATER GROUP | 259A4 | 62 |
| EVAPORATOR PANELS | 235G6 | 64 |
| AIR VENT | 247C7 | 66 |
| AIR VENT (40 FT CONTAINERS) | 191B6 | 68 |
| AIR VENT (AFAM + mP-4000) | 259C3 | 70 |
| DEFROST DRAIN | 189C4 | 72 |
| NAMEPLATES | 180E6 | 74 |

14U3



MAGNUM PLUS REFERENCE SHEET



Revised
09/16/17

MAGNUM PLUS REFERENCE SHEET

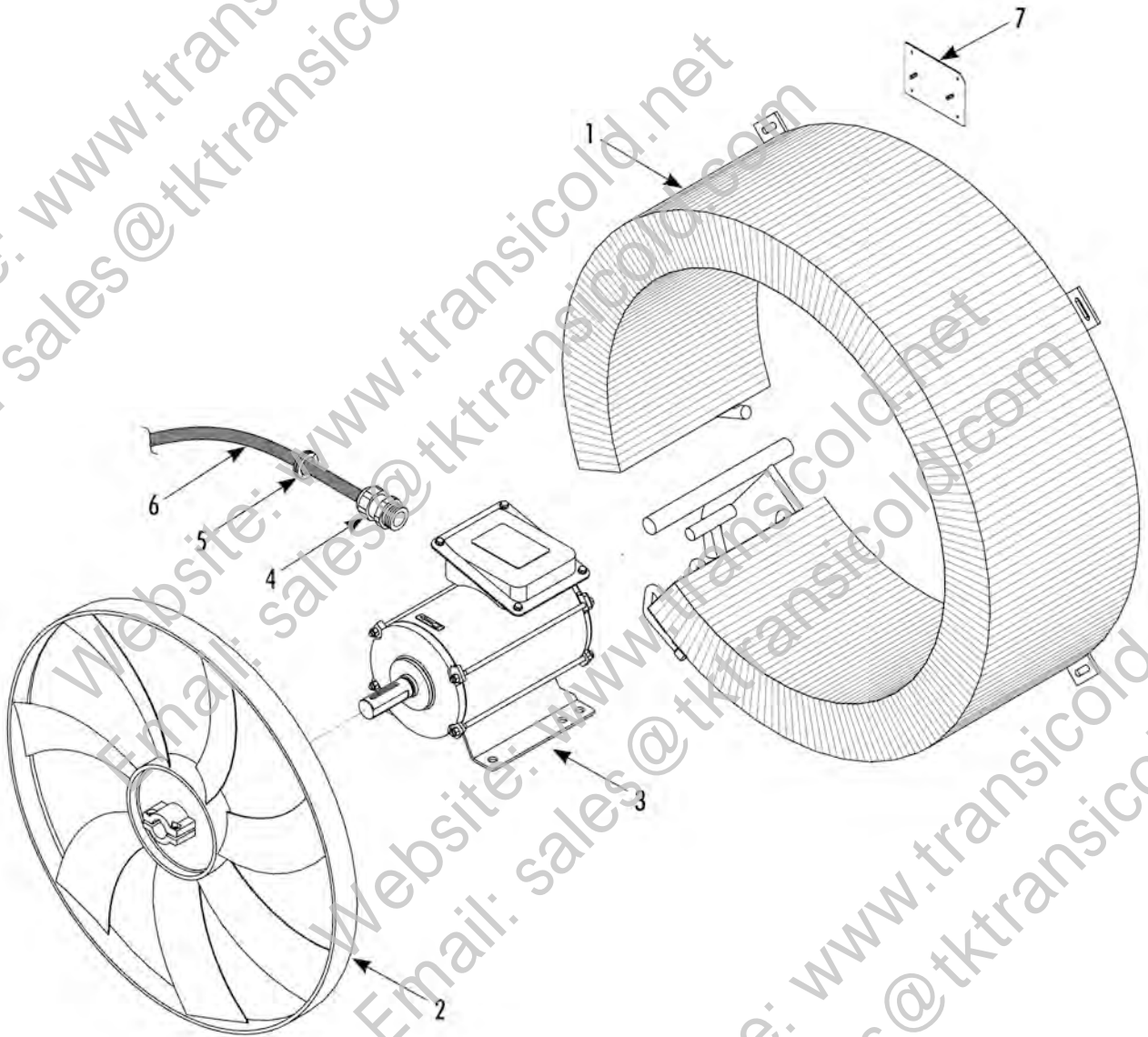


| B/M | DESCRIPTION |
|--------|-------------|
| 098203 | MAGNUM PLUS |
| 098212 | MAGNUM PLUS |
| 098216 | MAGNUM PLUS |
| 098218 | MAGNUM PLUS |
| 098219 | MAGNUM PLUS |
| 098223 | MAGNUM PLUS |
| 098580 | MAGNUM PLUS |
| 098581 | MAGNUM PLUS |
| 098582 | MAGNUM PLUS |
| 098583 | MAGNUM PLUS |
| 098585 | MAGNUM PLUS |
| 098586 | MAGNUM PLUS |
| 098587 | MAGNUM PLUS |
| 098588 | MAGNUM PLUS |
| 098589 | MAGNUM PLUS |
| 098590 | MAGNUM PLUS |
| 098591 | MAGNUM PLUS |
| 098592 | MAGNUM PLUS |
| 098593 | MAGNUM PLUS |
| 098594 | MAGNUM PLUS |

235E8

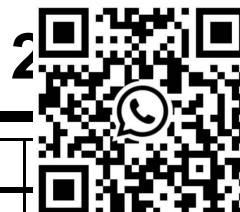


CONDENSER FAN GROUP



Revised
01/19/22

CONDENSER FAN GROUP

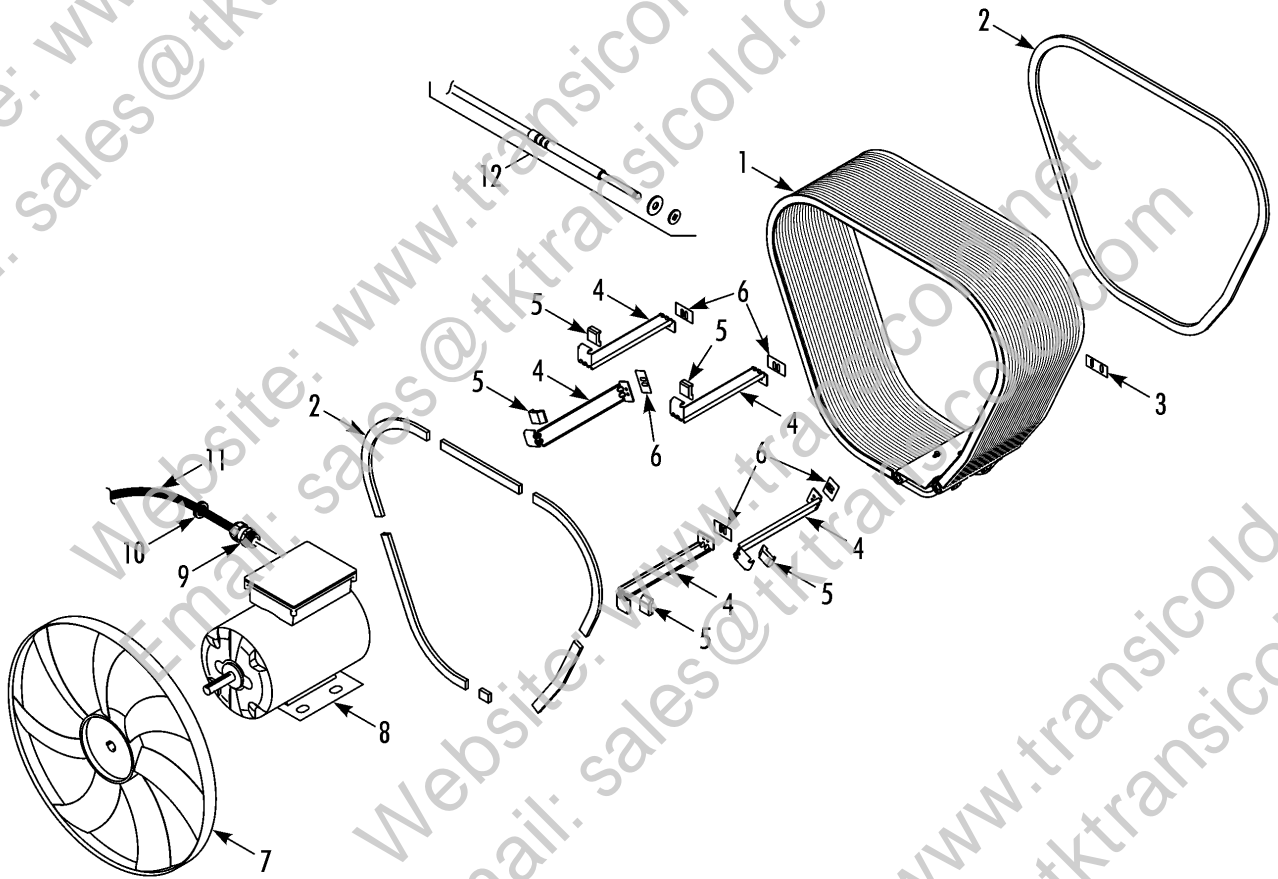


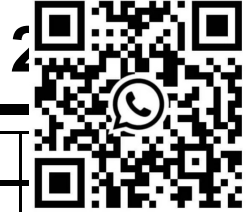
| REF | PART NO. | DESCRIPTION | |
|-----|-----------|---|-----|
| 1 | 600285TKA | COIL - condenser (copper fins) | |
| | 600310TKA | COIL - condenser (aluminum fins) | 1 |
| | 672865 | COIL - condenser (deep freeze units only) | 1 |
| | 332950 | GASKET (10 x 15 mm) | A/R |
| | 511442 | SCREW - coil | 7 |
| | 511444 | FLATWASHER | 7 |
| | 559054 | WASHER (nylon) | 7 |
| 2 | 781924 | FAN - condenser | 1 |
| 3 | 1040858 | MOTOR - condenser fan (0.75 hp) | 1 |
| | 552324 | * KEY - fan | 1 |
| | 511443 | SCREW - motor | 4 |
| | 511429 | LOCKWASHER | 4 |
| | 511430 | FLATWASHER | 8 |
| | 511427 | NUT | 4 |
| 4 | 555900 | GRIP - cable | 1 |
| 5 | 330367 | GROMMET | 1 |
| 6 | 412953 | HARNES - condenser fan | 1 |
| 7 | 902523 | KIT - condenser coil stud (set of three) | 1 |

298F3



CONDENSER FAN GROUP w/ Micro Channel Coil



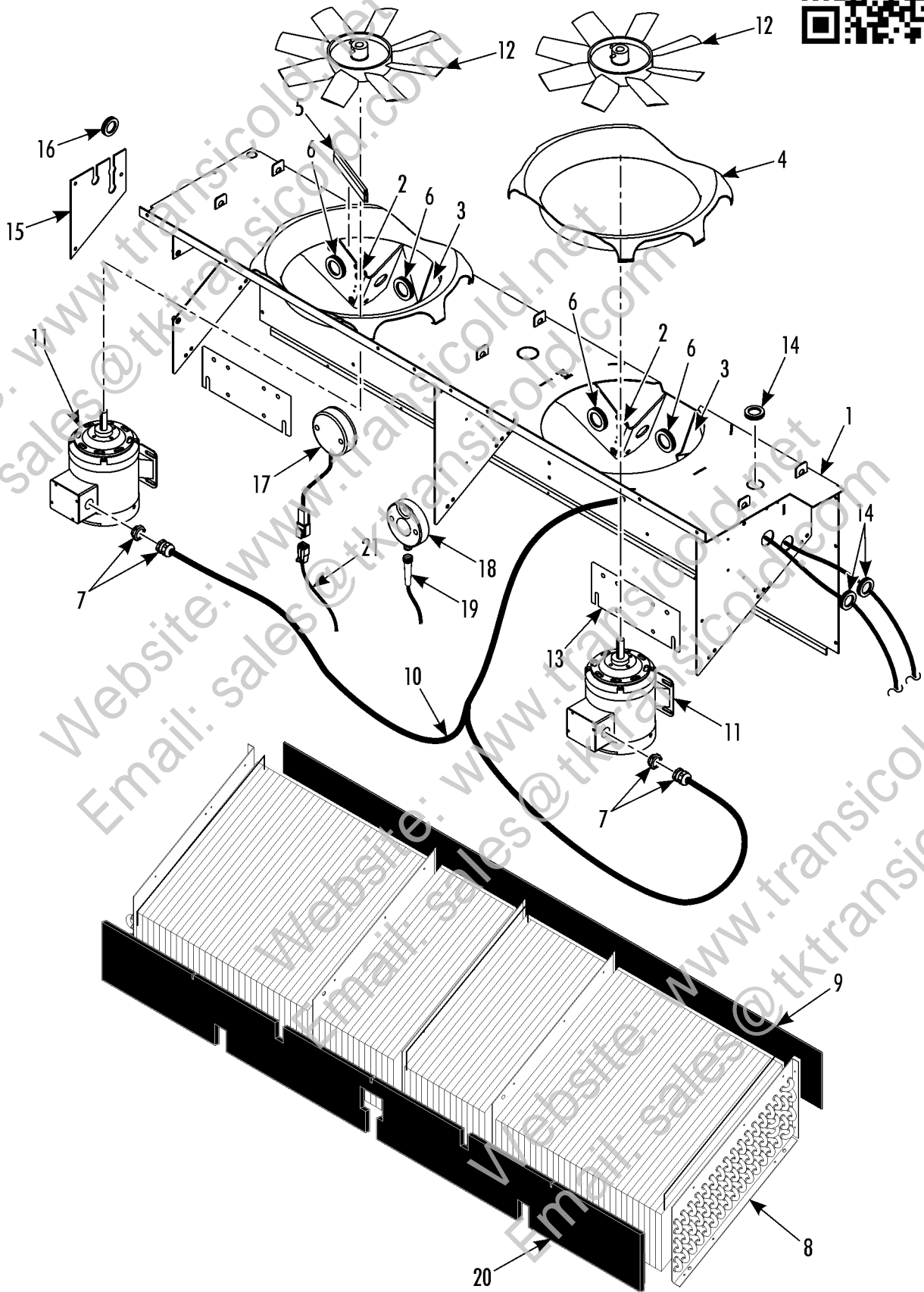
Revised
05/18/18**CONDENSER FAN GROUP w/ Micro
Channel Coil**

| REF | PART NO. | DESCRIPTION | |
|-----|----------|----------------------------------|----|
| 1 | 672874 | COIL - condenser (micro channel) | |
| | 511442 | SCREW - coil | 2 |
| | 511441 | FLATWASHER | 2 |
| | 559054 | WASHER (nylon) | 2 |
| | 513166 | INSERT | 2 |
| 2 | 335607 | GASKET - coil | 2 |
| 3 | 934588 | INSULATOR | 1 |
| 4 | 934585 | BRACKET - condenser coil | 5 |
| | 511442 | SCREW - bracket | 10 |
| | 511441 | FLATWASHER | 10 |
| | 559054 | WASHER | 10 |
| | 513166 | INSERT | 10 |
| 5 | 934586 | MOUNT - epdm | 5 |
| 6 | 934587 | INSULATOR | 5 |
| 7 | 781924 | FAN - condenser | 1 |
| 8 | 1040759 | MOTOR - condenser fan (0.75 hp) | 1 |
| | 552324 | * KEY - fan | 1 |
| | 511443 | SCREW - motor | 4 |
| | 511444 | FLATWASHER | 8 |
| | 511429 | LOCKWASHER | 4 |
| | 511427 | NUT | 4 |
| 9 | 555900 | GRIP - cable | 1 |
| 10 | 330367 | GROMMET | 1 |
| 11 | 412953 | HARNESS - condenser fan | 1 |
| 12 | 423670 | SENSOR - temperature condenser | 1 |

235E9

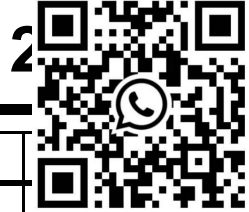


EVAPORATOR FAN GROUP



Revised
10/08/19

EVAPORATOR FAN GROUP



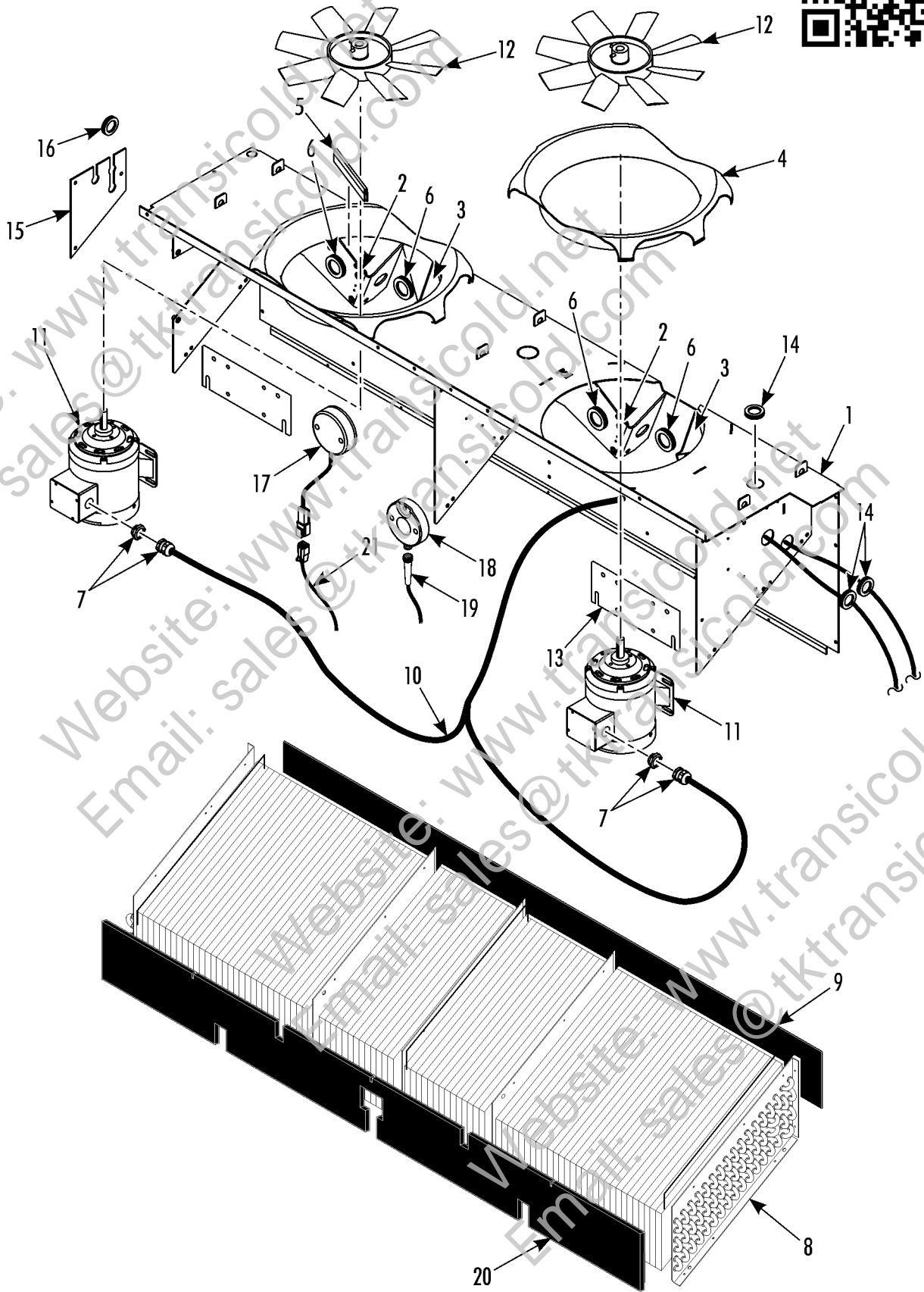
| REF | PART NO. | DESCRIPTION | |
|-----|-----------|---|-----|
| 1 | 988242 | HOUSING - evaporator (12 in, 312 mm dia) | |
| 2 | 922779 | * BRACKET - motor (left) | 2 |
| 3 | 922332 | * BRACKET - motor (right) | 2 |
| | 559162 | RIVET - housing | 10 |
| 4 | 781737 | * SHROUD - fan | 2 |
| 5 | 333929 | TRIM - edge guard | A/R |
| 6 | 333917 | GROMMET (1.180 in) | 4 |
| 7 | 555900 | CONNECTOR - harness & sensor | 2 |
| 8 | NSS | COIL - evaporator (see Refrigeration Group) | 1 |
| | 513565 | SCREW - coil | 10 |
| | 559217 | CAP - screw | 3 |
| 9 | 919328 | INSULATION - coil | 1 |
| 10 | 413685 | HARNESS - evaporator fan (w/ analog humidity sensor) | 1 |
| | 422605 | HARNESS - evaporator fan (w/ digital humidity sensor) | 1 |
| 11 | 1040691 | MOTOR - fan | 2 |
| | 511869 | SCREW - motor | 8 |
| | 511429 | LOCKWASHER | 8 |
| | 511444 | FLATWASHER | 8 |
| | 511427 | NUT | 8 |
| 12 | 781683 | FAN - evaporator (14 in, 355 mm dia) | 2 |
| 13 | 918466TKA | BRACKET - motor | 2 |
| | 511869 | SCREW - bracket | 8 |
| | 511444 | FLATWASHER | 8 |
| | 511429 | LOCKWASHER | 8 |
| | 511427 | NUT | 8 |
| 14 | 335576 | GROMMET (29 mm) | 4 |
| 15 | 922775 | COVER - tube | 1 |
| 16 | 330367 | GROMMET | 4 |

NOTE: Sensor 419836 has been replaced with sensor 422659 and harness 401480. See service bulletin C-141 for more information.

235E9

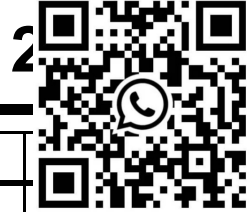


EVAPORATOR FAN GROUP



Revised
10/08/19

EVAPORATOR FAN GROUP



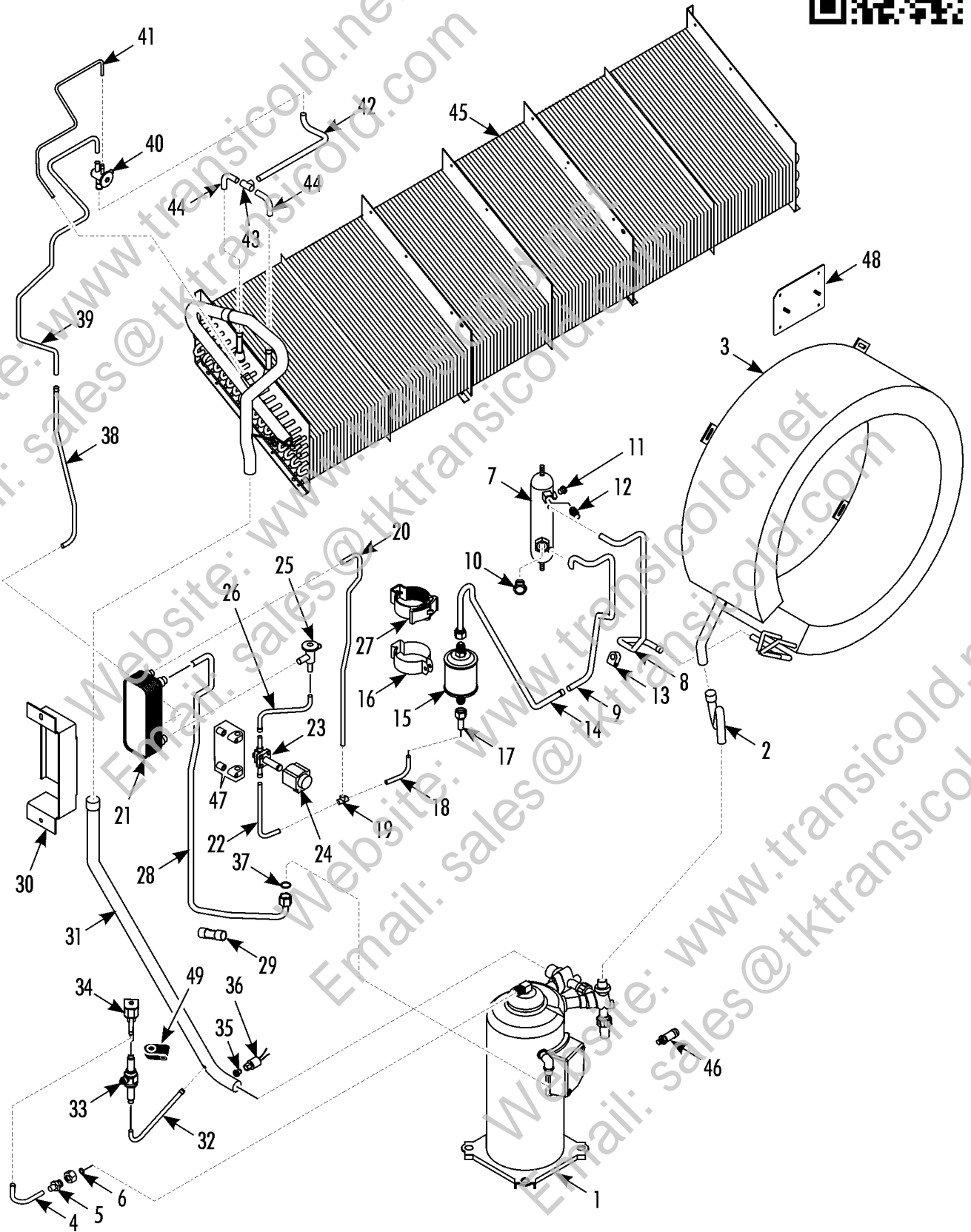
| REF | PART NO. | DESCRIPTION | |
|-----|----------|--|---|
| 17 | 422659 | SENSOR - humidity | |
| 18 | 419836 | SENSOR - humidity (RS 485, mP 4000 only, see note) | 1 |
| 19 | 420374 | CABLE - supply (RS 485) | 1 |
| 20 | 926966 | INSULATION - coil | 1 |
| 21 | 401480 | HARNESS - humidity sensor | 1 |

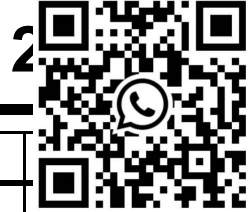
NOTE: Sensor 419836 has been replaced with sensor 422659 and harness 401480. See service bulletin C-141 for more information.

235E0



REFRIGERATION COMPONENTS (SE VALVES)



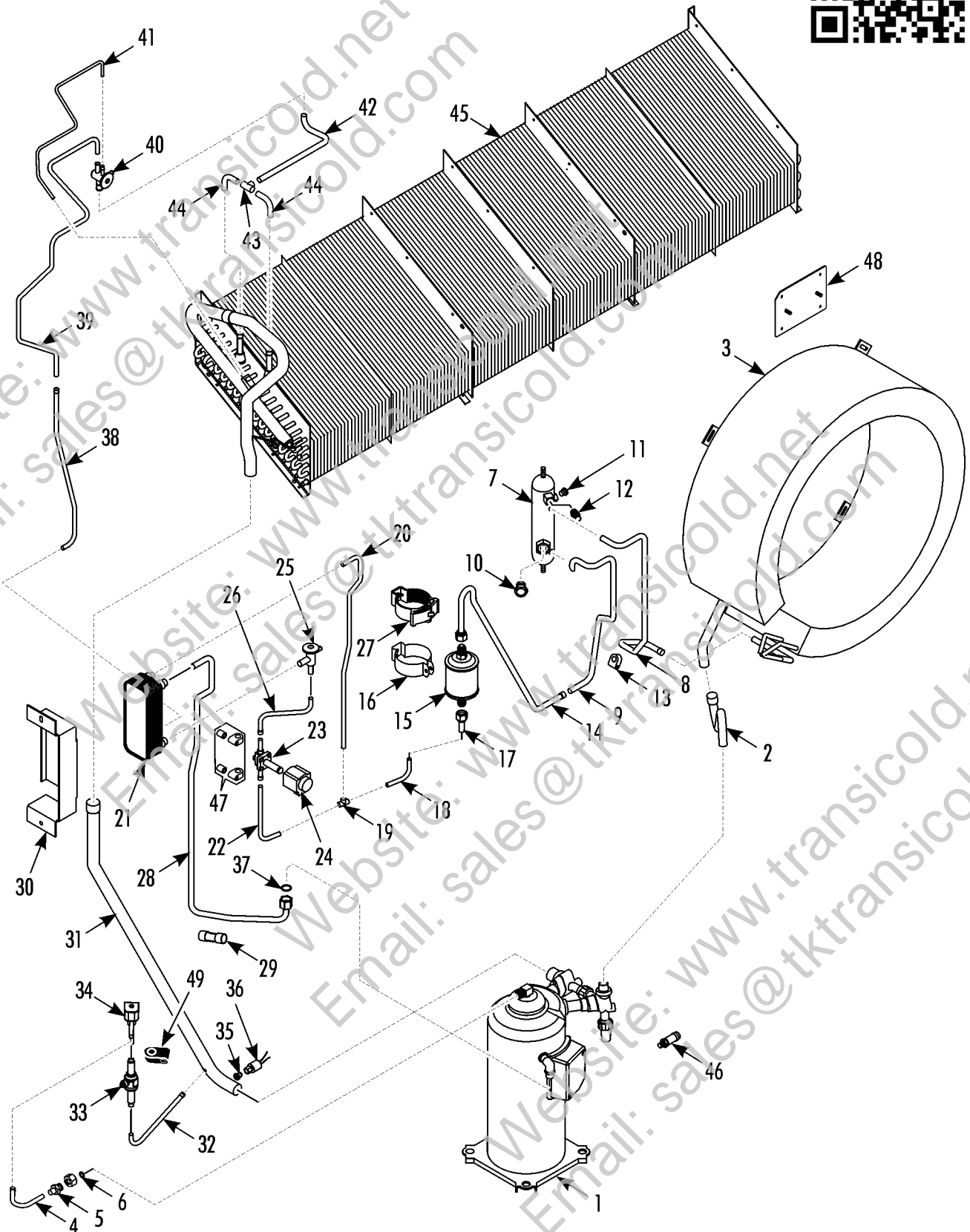
Revised
09/28/18**REFRIGERATION COMPONENTS (SERVICE VALVES)**

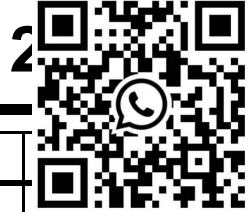
| REF | PART NO. | DESCRIPTION | |
|-----|-----------|-----------------------------------|---|
| 1 | 1020795 | COMPRESSOR - scroll (see 259C5) | |
| | 922229 | SPACER - compressor | 1 |
| 2 | 612477 | TUBE - valve to coil | 1 |
| 3 | 600285TKA | COIL - condenser (copper fins) | 1 |
| | 600310TKA | COIL - condenser (aluminum fins) | 1 |
| 4 | 612467TKA | TUBE - valve to coil | 1 |
| 5 | 612162TKA | ADAPTER - compressor | 1 |
| 6 | 333912TKA | SEAL (PTFE) | 1 |
| 7 | 672787 | TANK - receiver (includes items) | 1 |
| 8 | 612238 | * TUBE - receiver to dehydrator | 1 |
| 9 | 612569 | * TUBE - receiver to condenser | 1 |
| 10 | 668811 | * INDICATOR - liquid | 1 |
| | 333007 | * O-RING | 1 |
| 11 | 5060364 | * PLUG - fusible | 1 |
| | 510273 | NUT - receiver tank | 2 |
| | 559027 | WASHER - insulating | 4 |
| 12 | 666610 | FITTING - discharge | 1 |
| | 667812 | CAP - fitting | 1 |
| 13 | 556730 | CLAMP - tube | 2 |
| | 511421TKA | SCREW - clamp | 1 |
| | 511425 | NUT | 1 |
| 14 | 612475 | TUBE - receiver to dehydrator | 1 |
| | 550302 | * NUT - adapter | 1 |
| 15 | 610786 | DEHYDRATOR | 1 |
| 16 | 511871TKA | CLAMP - dehydrator (metal) | 1 |
| | 511442 | SCREW - clamp | 1 |
| | 511441 | FLATWASHER - clamp | 1 |
| | 511425 | NUT - clamp | 1 |
| | 559054 | WASHER - insulating | 1 |
| | 511442 | SCREW - dehydrator | 1 |

235E0



REFRIGERATION COMPONENTS (SE VALVES)



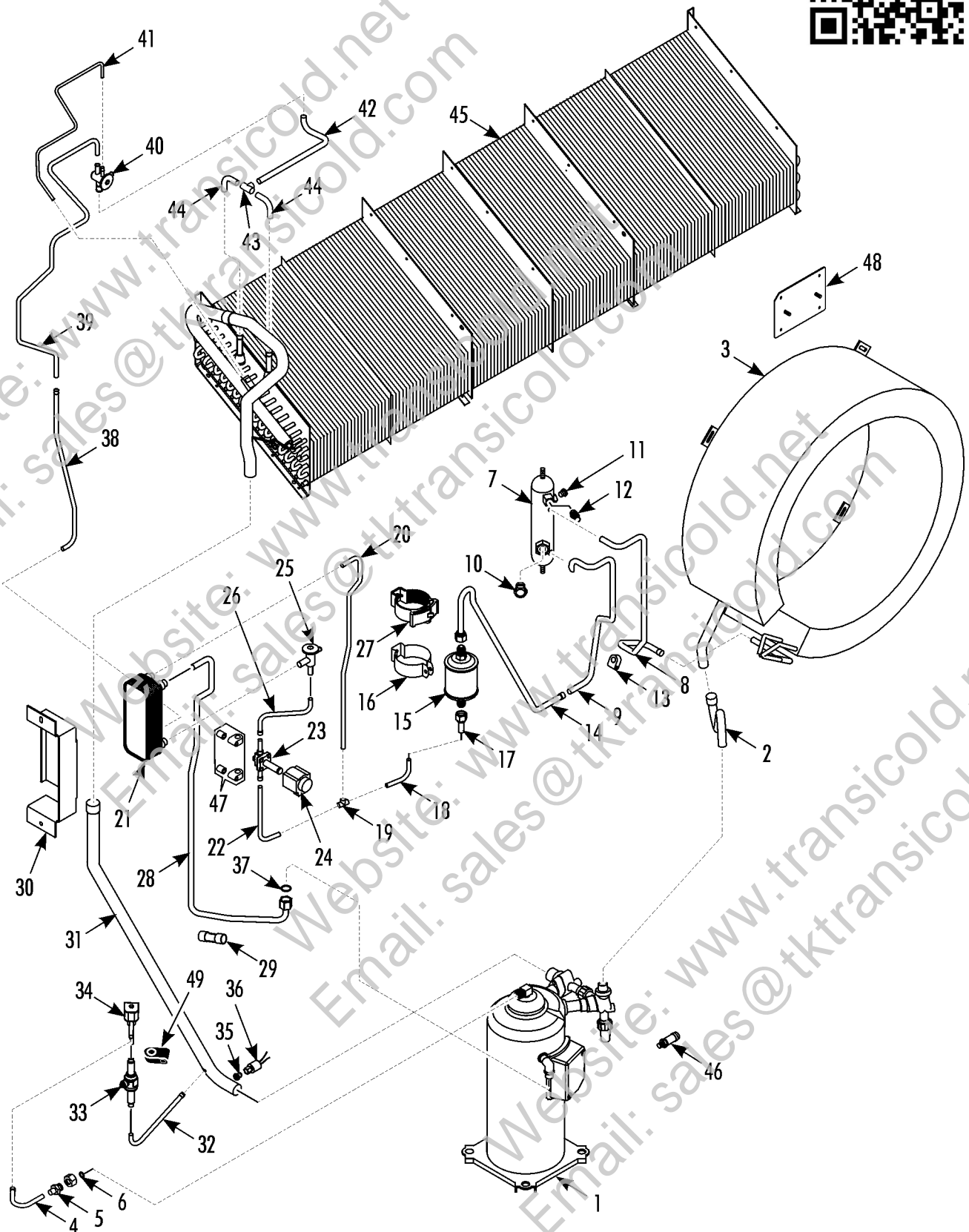
Revised
09/28/18**REFRIGERATION COMPONENTS (SERVICE VALVES)**

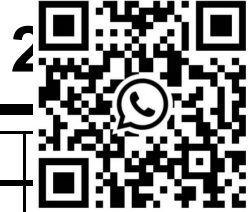
| REF | PART NO. | DESCRIPTION | |
|-----|-----------|---|-----|
| | 511464 | FLATWASHER - dehydrator | |
| 17 | 613506 | TUBE - filter | 1 |
| | 550302 | NUT - adapter | 1 |
| 18 | 613503 | TUBE - filter to tee | 1 |
| 19 | 553251TKA | TEE | 1 |
| 20 | 612471 | TUBE - tee to exchanger | 1 |
| 21 | 671889 | HEAT EXCHANGER - economizer | 1 |
| | 923547 | INSULATION - heat exchanger | 1 |
| 22 | 612472 | TUBE - tee to valve | 1 |
| 23 | 612470TKA | VALVE - solenoid (vapor injection) | 1 |
| 24 | 415460 | COIL - valve | 1 |
| | 5040919 | * COIL | 1 |
| 25 | 600731 | KIT - TXV expansion valve (includes tube, valve and bulb) | 1 |
| 26 | NSS | * VALVE - expansion (economizer) | 1 |
| 27 | 929520TKA | CLAMP - dehydrator (plastic) | 1 |
| | 511442 | SCREW - clamp | 1 |
| | 559054 | WASHER | 1 |
| | 511464 | FLATWASHER | 1 |
| 28 | 612474 | TUBE - liquid injection | 1 |
| | 558951 | SHOULDER - o-ring seal | 1 |
| | 558950 | NUT - o-ring seal | 1 |
| | 334499 | INSULATION - tube (cut to 24.5 in lg) | A/R |
| | 911800TKA | CLAMP - tube | 2 |
| | 511442 | SCREW - clamp | 1 |
| | 511425 | NUT | 1 |
| 29 | NSS | TUBE - tx bulb (included with item 25) | 1 |
| 30 | 923391 | BRACKET - heat exchanger | 1 |
| | 923550 | INSULATION - mylar | 1 |
| 31 | 613502 | TUBE - suction | 1 |
| | 334500 | INSULATION - tube (42.1 in lg) | A/R |

235E0



REFRIGERATION COMPONENTS (SE VALVES)



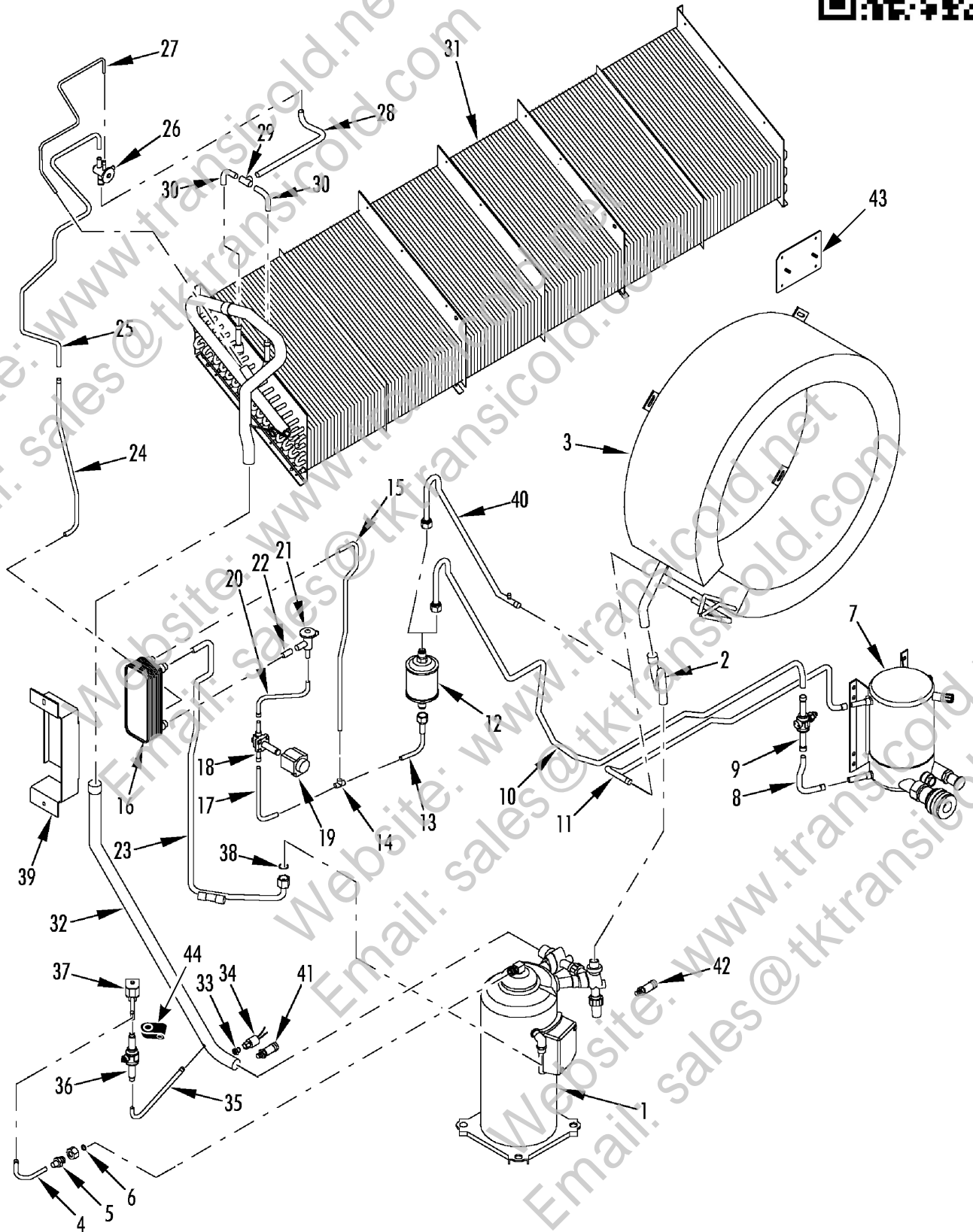
Revised
09/28/18**REFRIGERATION COMPONENTS (SERVICE VALVES)**

| REF | PART NO. | DESCRIPTION | |
|-----|-----------|--|-----|
| 32 | 612466 | TUBE - suction to ball valve | |
| 33 | 612465 | VALVE - ball | 1 |
| 34 | 617758 | VALVE (PWM) | 1 |
| | 417937 | * COIL (only) | 1 |
| 35 | 669842 | VALVE | 1 |
| 36 | 414473 | SWITCH - lpco | 1 |
| 37 | 330566 | O-RING | 1 |
| 38 | 612468 | TUBE - heat exchanger to evaporator | 1 |
| | 334501 | INSULATION - tube (14.1 in lg) | A/R |
| 39 | 612050TKA | TUBE - exchanger to coil (#2) | 1 |
| 40 | 610443 | VALVE - expansion | 1 |
| 41 | 612048 | TUBE - equalizer | 1 |
| 42 | 612049 | TUBE - expansion valve to tee | 1 |
| 43 | 552296 | TEE | 1 |
| 44 | 612051 | TUBE - tee to distributor | 1 |
| 45 | 671923 | COIL - evaporator (14.7/374 wide, see 235E9) | 1 |
| 46 | 414004 | SWITCH - hpco | 1 |
| 47 | 556383 | CLAMP - tube (3/8) | 3 |
| | 910759 | CLAMP - tube (1/2) | 1 |
| | 513170 | SPACER (18 mm) | 4 |
| | 557029 | SCREW - clamp (65 mm) | 2 |
| | 558993 | SCREW - clamp (50 mm) | 2 |
| | 559027 | WASHER (nylon) | 2 |
| 48 | 902523 | KIT - condenser coil stud (set of three) | 1 |
| 49 | 910758 | CLAMP - tube | 1 |
| | 511477 | SCREW - clamp | 1 |
| | 511441 | FLATWASHER | 1 |
| | 922229 | SPACER | 1 |

189B9



REFRIGERATION COMPONENTS (WITH SERVICE VALVES)



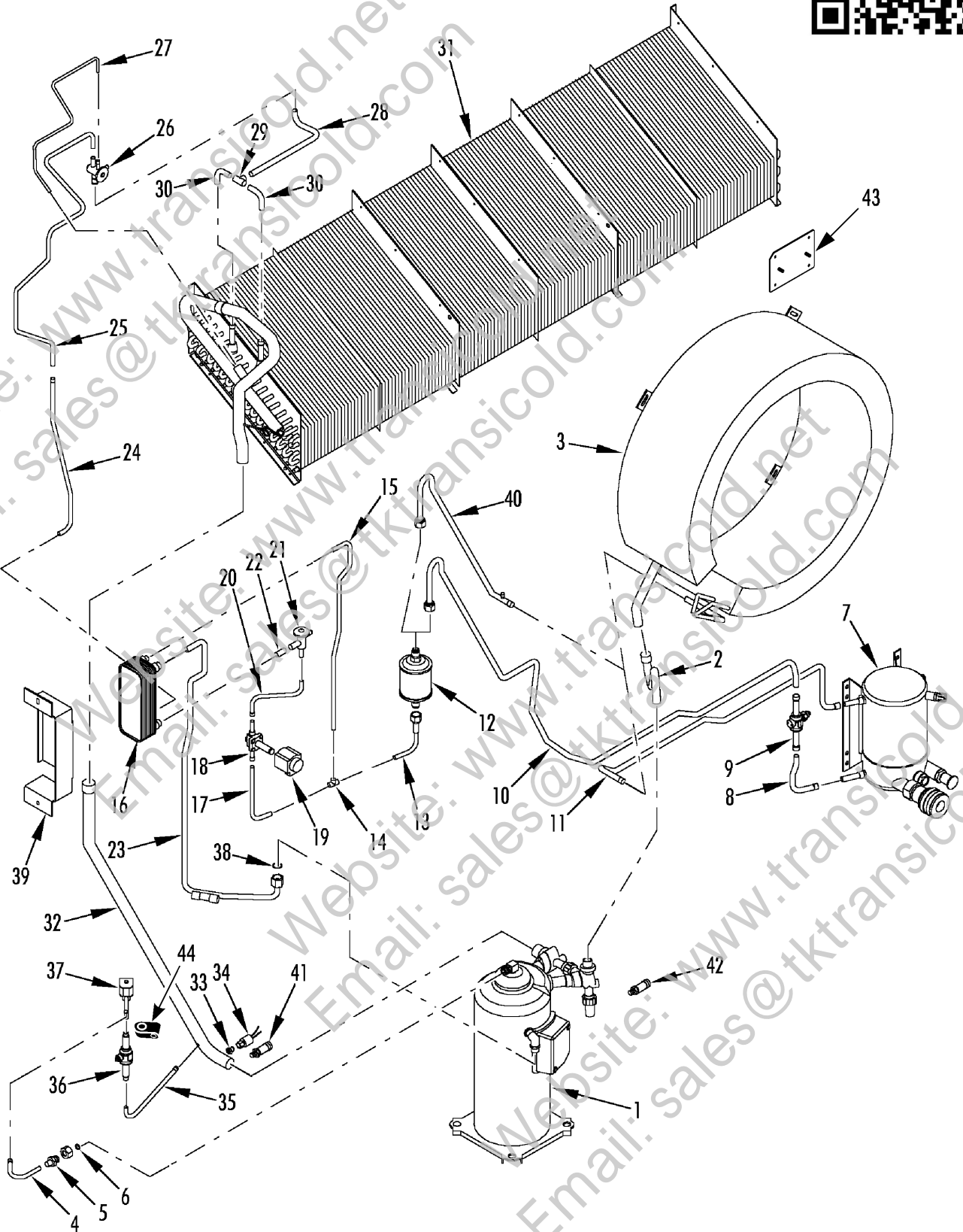
Revised
03/29/23**REFRIGERATION COMPONENTS (WCC,
SERVICE VALVES)**

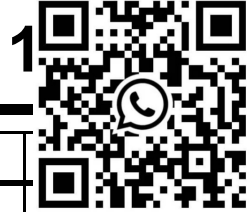
| REF | PART NO. | DESCRIPTION | |
|-----|-----------|---|---|
| 1 | 1020795 | COMPRESSOR - scroll (see 180E1) | |
| 2 | 612477 | TUBE - valve to coil | 1 |
| 3 | 600285TKA | COIL - condenser (copper fins) | 1 |
| | 600310TKA | COIL - condenser (aluminum fins) | 1 |
| 4 | 612467TKA | TUBE - valve to compressor | 1 |
| 5 | 612162TKA | ADAPTER - compressor | 1 |
| 6 | 333912TKA | SEAL (PTFE) | 1 |
| | 667543 | TUBE (0.500 od x 1.880 lg cu) | 1 |
| | 669447 | TUBE (0.500 od x 2.250 lg cu) | 1 |
| 7 | 671575 | TANK - water cooled condenser (see 154E13) | 1 |
| 8 | 613504 | TUBE - condenser to tee | 1 |
| 9 | 669125 | VALVE - ball | 1 |
| 10 | 613542 | TUBE - valve to dehydrator | 1 |
| 11 | 611305 | TUBE - condenser to condenser | 1 |
| 12 | 610786 | DEHYDRATOR | 1 |
| | 929520TKA | CLAMP - dehydrator | 1 |
| | 511440TKA | SCREW - clamp | 1 |
| | 511441 | FLATWASHER | 2 |
| | 511425 | NUT | 1 |
| 13 | 613503 | TUBE - filter | 1 |
| 14 | 553251TKA | TEE | 1 |
| 15 | 612471 | TUBE - tee to exchanger | 1 |
| 16 | 671889 | HEAT EXCHANGER - economizer | 1 |
| 17 | 612472 | TUBE - tee to valve | 1 |
| 18 | 612470TKA | VALVE - solenoid (vapor injection) | 1 |
| 19 | 415460 | COIL - valve | 1 |
| 20 | 600731 | KIT - TXV (economizer, includes tube, valve and bulb) | 1 |
| 21 | NSS | * VALVE - expansion (economizer) | 1 |
| 22 | 611847 | TUBE - expansion valve to exchanger | 1 |
| 23 | 612474 | TUBE - liquid injection | 1 |

189B9



REFRIGERATION COMPONENTS (WITH SERVICE VALVES)



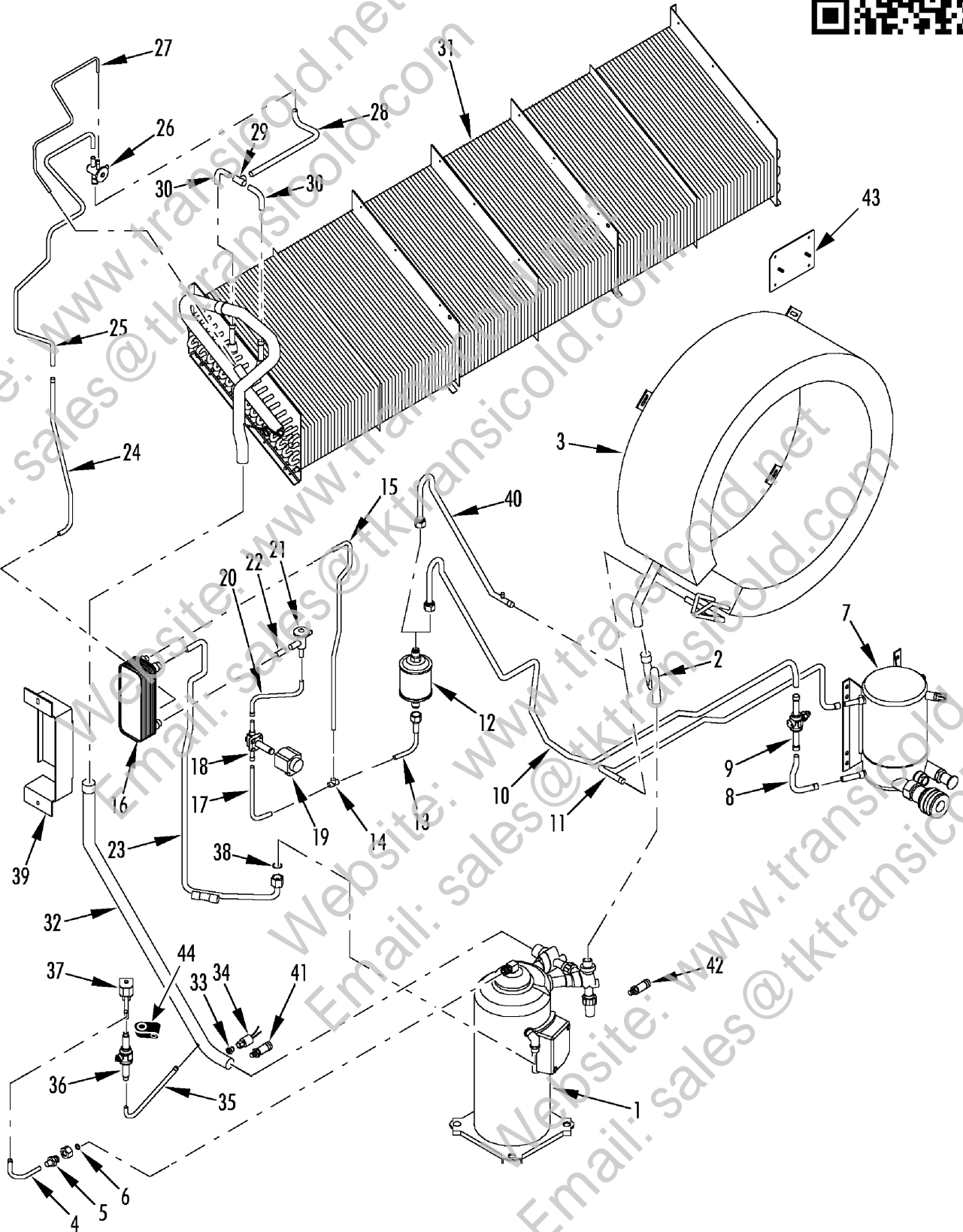
Revised
03/29/23**REFRIGERATION COMPONENTS (WCC,
SERVICE VALVES)**

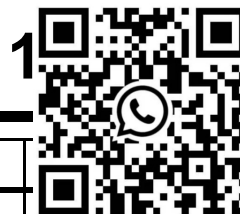
| REF | PART NO. | DESCRIPTION | |
|-----|-----------|--|---|
| | 558951 | SHOULDER - o-ring seal | |
| | 558950 | NUT - o-ring seal | 1 |
| 24 | 612468 | TUBE - heat exchanger to evaporator | 1 |
| 25 | 612050TKA | TUBE - exchanger to coil (#2) | 1 |
| 26 | 610443 | VALVE - expansion | 1 |
| | 922228 | SPACER - clamp | 1 |
| | 556388 | CLAMP - valve | 1 |
| | 511439 | SCREW - clamp | 1 |
| 27 | 612048 | TUBE - equalizer | 1 |
| 28 | 612049 | TUBE - expansion valve to tee | 1 |
| 29 | 552296 | TEE | 1 |
| 30 | 612051 | TUBE - tee to distributor | 1 |
| 31 | 671923 | COIL - evaporator (14.7/374 wide see evaporator fan group) | 1 |
| | 671921 | COIL - evaporator (13.0/330 wide, MAGNUM SL-40, see 183B4) | 1 |
| | 671922 | COIL - evaporator (11.3/286 wide, MAGNUM SL-20, see 183B6) | 1 |
| 32 | 612464 | TUBE - suction (before 4/05) | 1 |
| | 613502 | TUBE - suction (4/05 & after) | 1 |
| 33 | 668054 | ADAPTER | 1 |
| 34 | 414473 | SWITCH - lpc0 | 1 |
| 35 | 612466 | TUBE - suction to ball valve | 1 |
| 36 | 612465 | VALVE - ball | 1 |
| 37 | 617758 | VALVE (PWM) | 1 |
| | 417937 | * COIL (only) | 1 |
| 38 | 330566 | O-RING (#8) | 1 |
| 39 | 923391 | BRACKET - heat exchanger | 1 |
| | 511442 | SCREW - bracket | 2 |
| | 559054 | WASHER - insulating | 2 |
| | 511464 | FLATWASHER | 2 |
| 40 | 613508 | TUBE - coil to dehydrator (units w/o WCC) | 1 |
| 41 | 425968 | TRANSDUCER - suction | 1 |

189B9



REFRIGERATION COMPONENTS (WITH SERVICE VALVES)



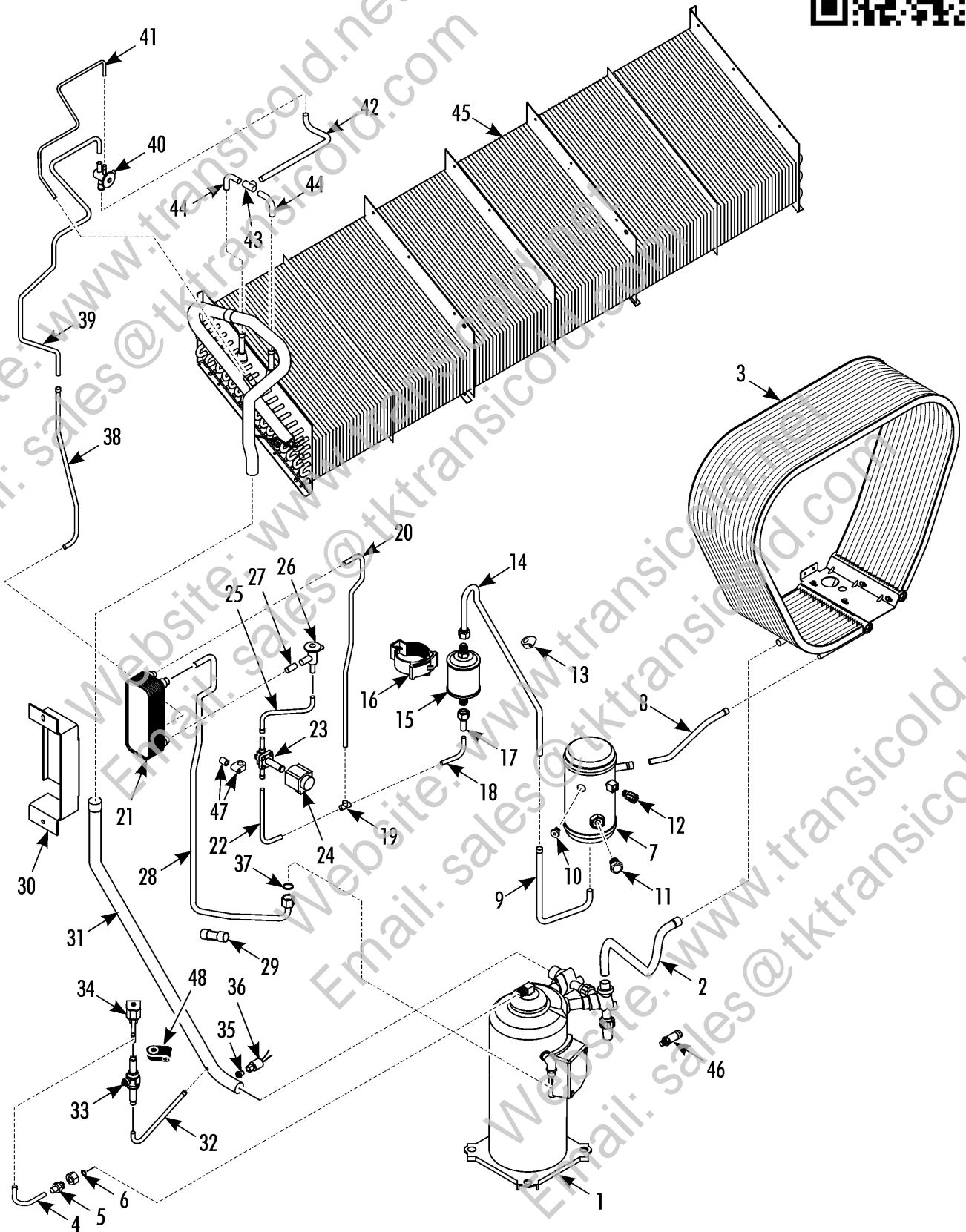
Revised
03/29/23**REFRIGERATION COMPONENTS (WCC,
SERVICE VALVES)**

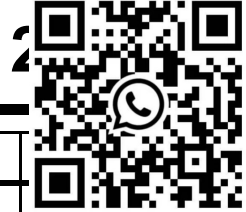
| REF | PART NO. | DESCRIPTION | |
|-----|----------|--|---|
| 42 | 425969 | TRANSDUCER - discharge (500 psi) | |
| 43 | 902523 | KIT - condenser coil stud (set of three) | 1 |
| 44 | 910758 | CLAMP - tube | 1 |
| | 511477 | SCREW - clamp | 1 |
| | 511441 | FLATWASHER | 1 |
| | 922229 | SPACER | 1 |

298F2



REFRIGERATION COMPONENTS w/ M Channel Coil (SERVICE VALVES)



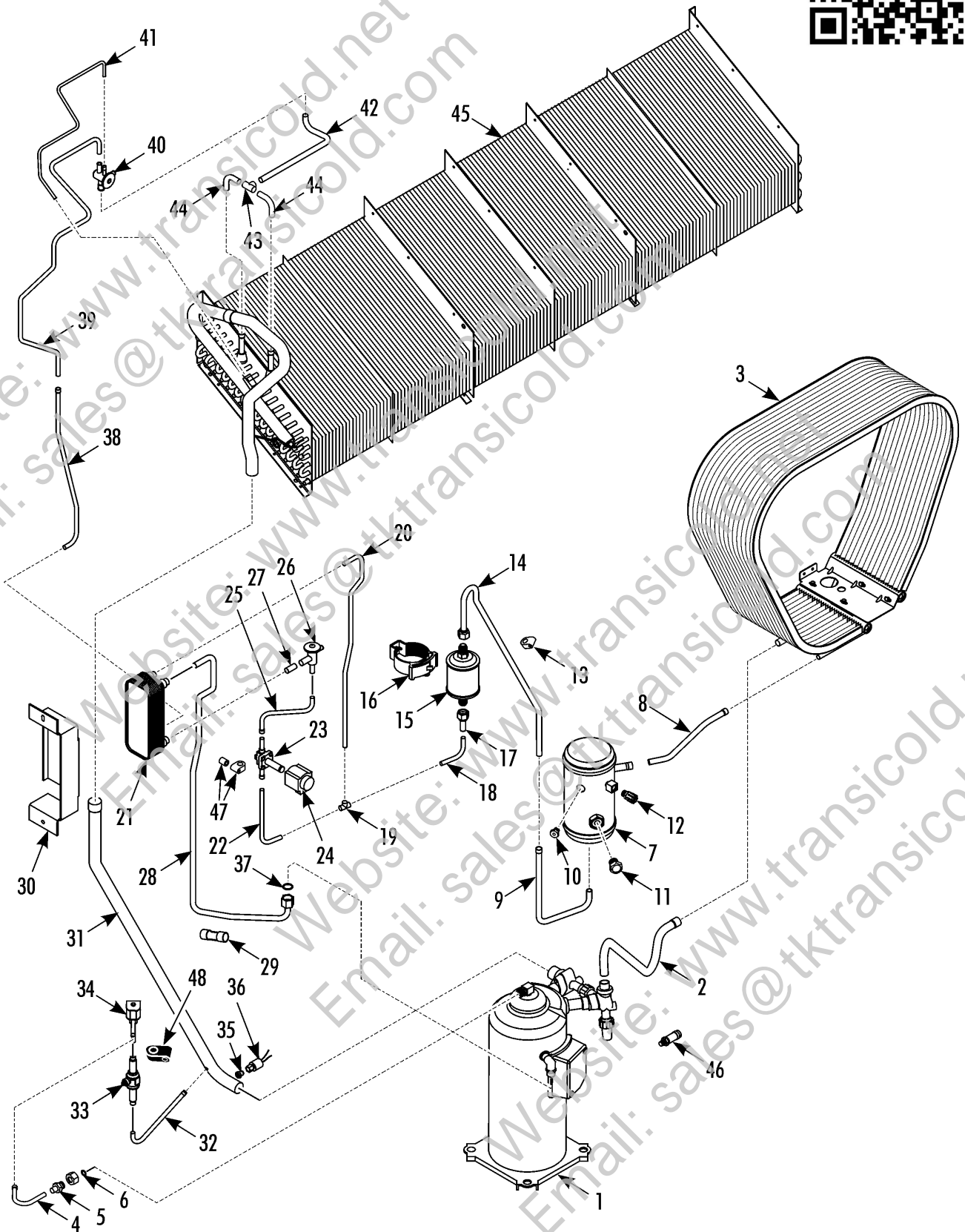
Revised
11/06/17**REFRIGERATION COMPONENTS w/ Micro
Channel Coil (SERVICE VALVES)**

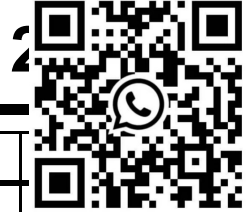
| REF | PART NO. | DESCRIPTION | |
|-----|-----------|----------------------------------|---|
| 1 | 1020795 | COMPRESSOR - scroll (see 180E1) | |
| | 922229 | SPACER - compressor | 1 |
| 2 | 617816 | TUBE - valve to coil | 1 |
| 3 | 672874 | COIL - condenser (micro channel) | 1 |
| 4 | 612467TKA | TUBE - valve to coil | 1 |
| 5 | 612162TKA | ADAPTER - compressor | 1 |
| 6 | 333912TKA | SEAL (PTFE) | 1 |
| 7 | 672876 | TANK - receiver | 1 |
| 8 | 617817 | * TUBE - receiver to condenser | 1 |
| 9 | 617818 | * TUBE - receiver to dehydrator | 1 |
| 10 | 513167 | * PLUG | 1 |
| | 332205 | * O-RING - plug | 1 |
| 11 | 668811 | * INDICATOR - liquid | 1 |
| | 333007 | * O-RING | 1 |
| 12 | 666610 | * FITTING - highside | 1 |
| | 511467 | SCREW - receiver tank | 4 |
| | 511429 | LOCKWASHER | 4 |
| 13 | 910759 | CLAMP - tube | 2 |
| | 513168 | SCREW - clamp | 1 |
| | 513169 | SPACER - clamp | 1 |
| 14 | 617819 | TUBE - receiver to dehydrator | 1 |
| | 550302 | * NUT - adapter | 1 |
| 15 | 610786 | DEHYDRATOR | 1 |
| 16 | 929520TKA | CLAMP - dehydrator | 1 |
| | 511442 | SCREW - clamp | 1 |
| | 511464 | FLATWASHER - clamp | 1 |
| | 559054 | WASHER - insulating | 1 |
| 17 | 613506 | TUBE - filter | 1 |
| | 550302 | NUT - adapter | 1 |
| 18 | 613503 | TUBE - filter to tee | 1 |

298F2



REFRIGERATION COMPONENTS w/ M Channel Coil (SERVICE VALVES)



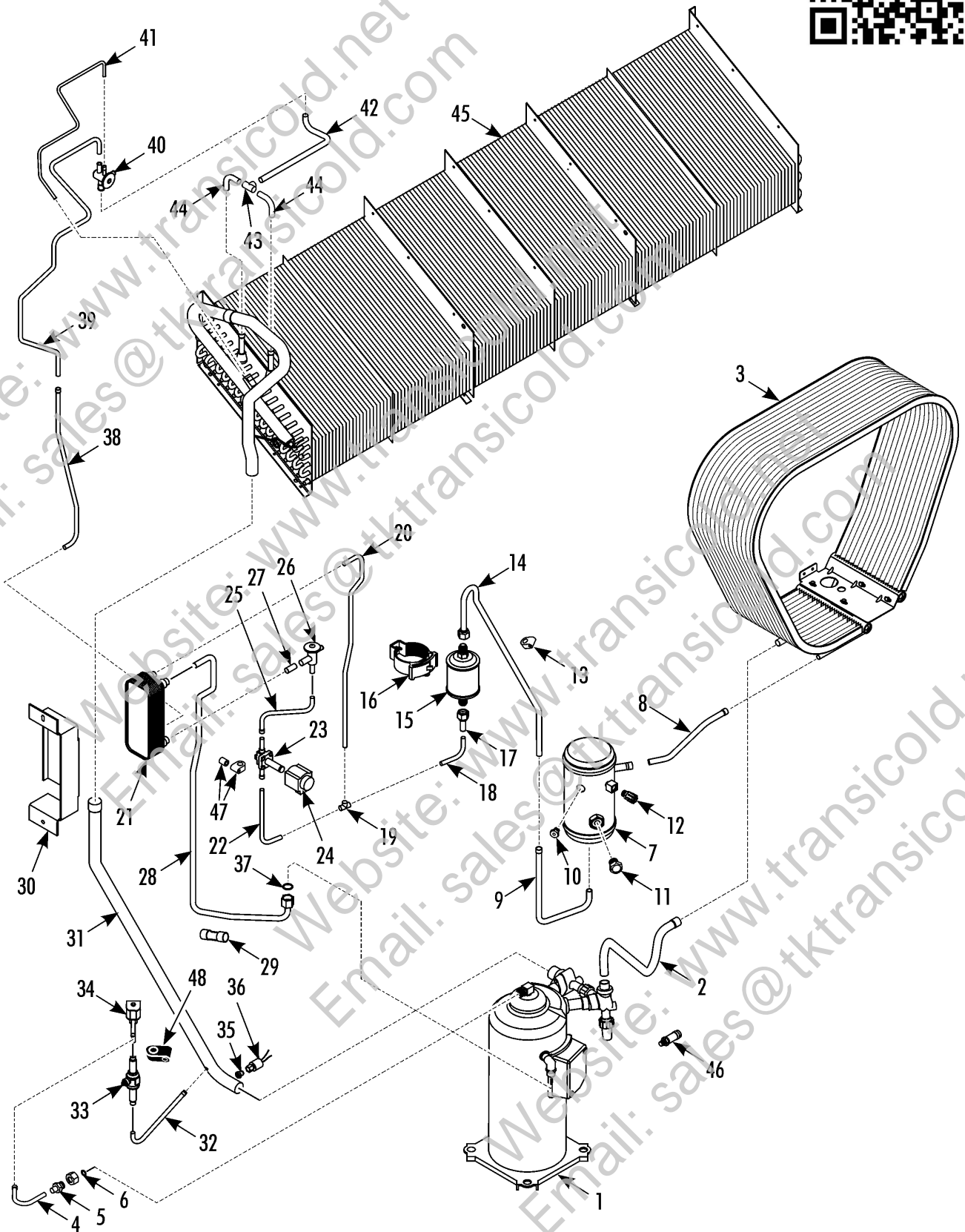
Revised
11/06/17**REFRIGERATION COMPONENTS w/ Micro
Channel Coil (SERVICE VALVES)**

| REF | PART NO. | DESCRIPTION | |
|-----|-----------|---|-----|
| 19 | 553251TKA | TEE | |
| 20 | 612471 | TUBE - tee to exchanger | 1 |
| 21 | 671889 | HEAT EXCHANGER - economizer | 1 |
| | 923547 | INSULATION - heat exchanger | 1 |
| 22 | 612472 | TUBE - tee to valve | 1 |
| 23 | 612470TKA | VALVE - solenoid (vapor injection) | 1 |
| 24 | 415460 | COIL - valve | 1 |
| | 5040919 | * COIL | 1 |
| 25 | 600731 | KIT - TXV (economizer, includes tube, valve and bulb) | 1 |
| 26 | NSS | * VALVE - expansion (economizer) | 1 |
| 27 | 611847 | TUBE - expansion valve to exchanger | 1 |
| 28 | 612474 | TUBE - liquid injection | 1 |
| | 558951 | SHOULDER - o-ring seal | 1 |
| | 558950 | NUT - o-ring seal | 1 |
| | 334499 | INSULATION - tube (cut to 24.5 in lg) | A/R |
| | 911800TKA | CLAMP - tube | 2 |
| | 511442 | SCREW - clamp | 1 |
| | 511425 | NUT | 1 |
| 29 | NSS | TUBE - tx bulb (included with item 25) | 1 |
| 30 | 923391 | BRACKET - heat exchanger | 1 |
| | 923550 | INSULATION | 1 |
| 31 | 613502 | TUBE - suction | 1 |
| | 334500 | INSULATION - tube (42.1 in lg) | A/R |
| 32 | 612466 | TUBE - suction to ball valve | 1 |
| 33 | 612465 | VALVE - ball | 1 |
| 34 | 617758 | VALVE (PWM) | 1 |
| | 417937 | * COIL (only) | 1 |
| 35 | 666607 | FITTING - low side | 1 |
| | 667183 | * CAP - charge port (blue) | 1 |
| | 668054 | ADAPTER | 1 |

298F2



REFRIGERATION COMPONENTS w/ M Channel Coil (SERVICE VALVES)



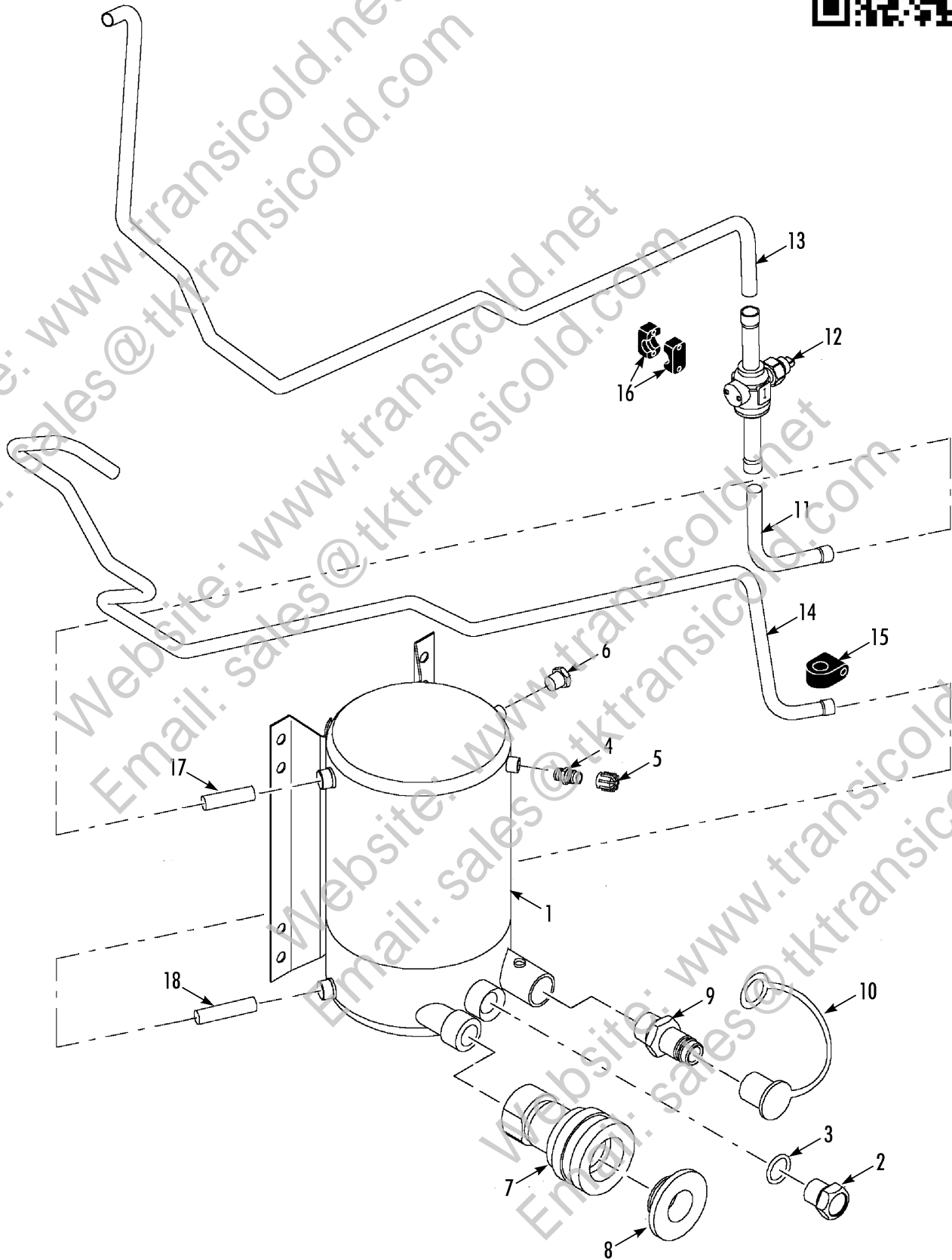
Revised
11/06/17**REFRIGERATION COMPONENTS w/ Micro
Channel Coil (SERVICE VALVES)**

| REF | PART NO. | DESCRIPTION | |
|-----|-----------|-------------------------------------|-----|
| 36 | 414473 | SWITCH - lppo | |
| 37 | 330566 | O-RING (#8) | 1 |
| 38 | 612468 | TUBE - heat exchanger to evaporator | 1 |
| | 334501 | INSULATION - tube (14.1 in lg) | A/R |
| 39 | 612050TKA | TUBE - exchanger to coil (#2) | 1 |
| 40 | 610443 | VALVE - expansion | 1 |
| 41 | 612048 | TUBE - equalizer | 1 |
| 42 | 612049 | TUBE - expansion valve to tee | 1 |
| 43 | 552296 | TEE | 1 |
| 44 | 612051 | TUBE - tee to distributor | 1 |
| 45 | 671923 | COIL - evaporator (14.7/374 wide) | 1 |
| 46 | 414004 | SWITCH - hppo | 1 |
| 47 | 556388 | CLAMP - tube | 1 |
| | 513170 | SPACER - clamp | 1 |
| | 511462 | SCREW - clamp | 1 |
| | 511441 | WASHER | 2 |
| 48 | 910758 | CLAMP - tube | 1 |
| | 511477 | SCREW - clamp | 1 |
| | 511441 | FLATWASHER | 1 |
| | 922229 | SPACER | 1 |

154E13



WATER COOLED CONDENSER



Revised
09/12/22

WATER COOLED CONDENSER



15

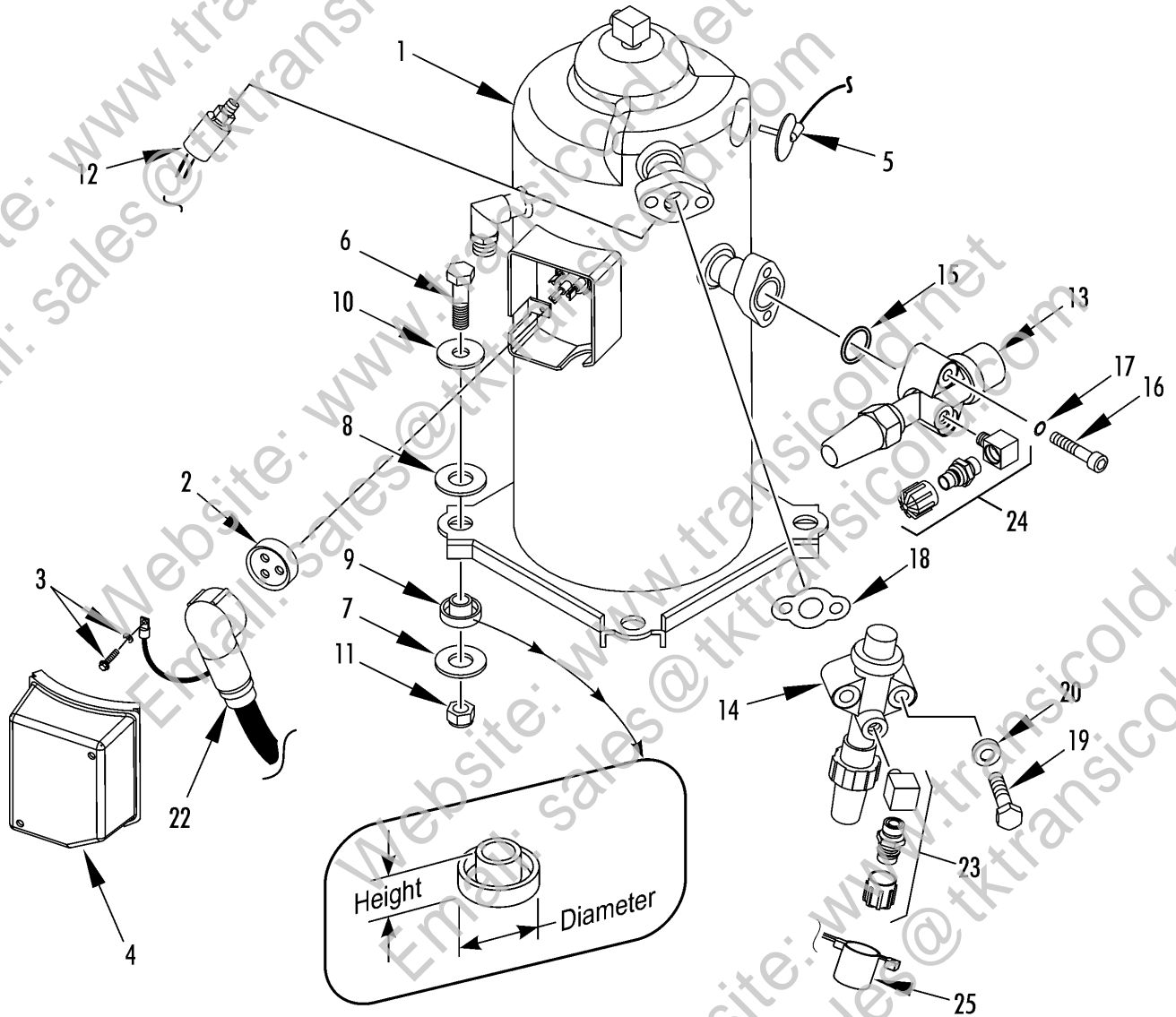


| REF | PART NO. | DESCRIPTION | |
|-----|----------|-------------------------------|-----|
| 1 | 671575 | TANK - water cooled condenser | |
| 2 | 668811 | INDICATOR | 1 |
| 3 | 333007 | O-RING | 1 |
| 4 | 666610 | FITTING - high side | 1 |
| 5 | 667182 | * CAP - fitting | 1 |
| 6 | 5060364 | PLUG - fusible | 1 |
| | 2030393 | SEALER - locking | A/R |
| | 511467 | SCREW - tank | 4 |
| | 511429 | LOCKWASHER | 4 |
| | 511430 | FLATWASHER | 4 |
| | 664788 | COUPLING - outlet | 1 |
| | 2030385 | SEALER - thread | A/R |
| 8 | 916627 | CAP - dust cover | 1 |
| 9 | 513561 | PLUG - outlet | 1 |
| 10 | 916628 | CAP - dust cover | 1 |
| 11 | 613504 | TUBE - condenser to filter | 1 |
| 12 | 669125 | VALVE - ball | 1 |
| 13 | 613542 | TUBE - valve to dehydrator | 1 |
| 14 | 611305 | TUBE - condenser to condenser | 1 |
| 15 | 910759 | CLAMP - tube | 2 |
| | 511462 | SCREW - clamp | 1 |
| 16 | 556730 | CLAMP - tube | 6 |
| | 557035 | SCREW - clamp | 2 |
| | 557075 | FLATWASHER | 4 |
| 17 | 667543 | TUBE - stub (1.88 lg) | 1 |
| 18 | 669447 | TUBE - stub (2.25 lg) | 1 |

259C5



COMPRESSOR GROUP (SERVICE VA



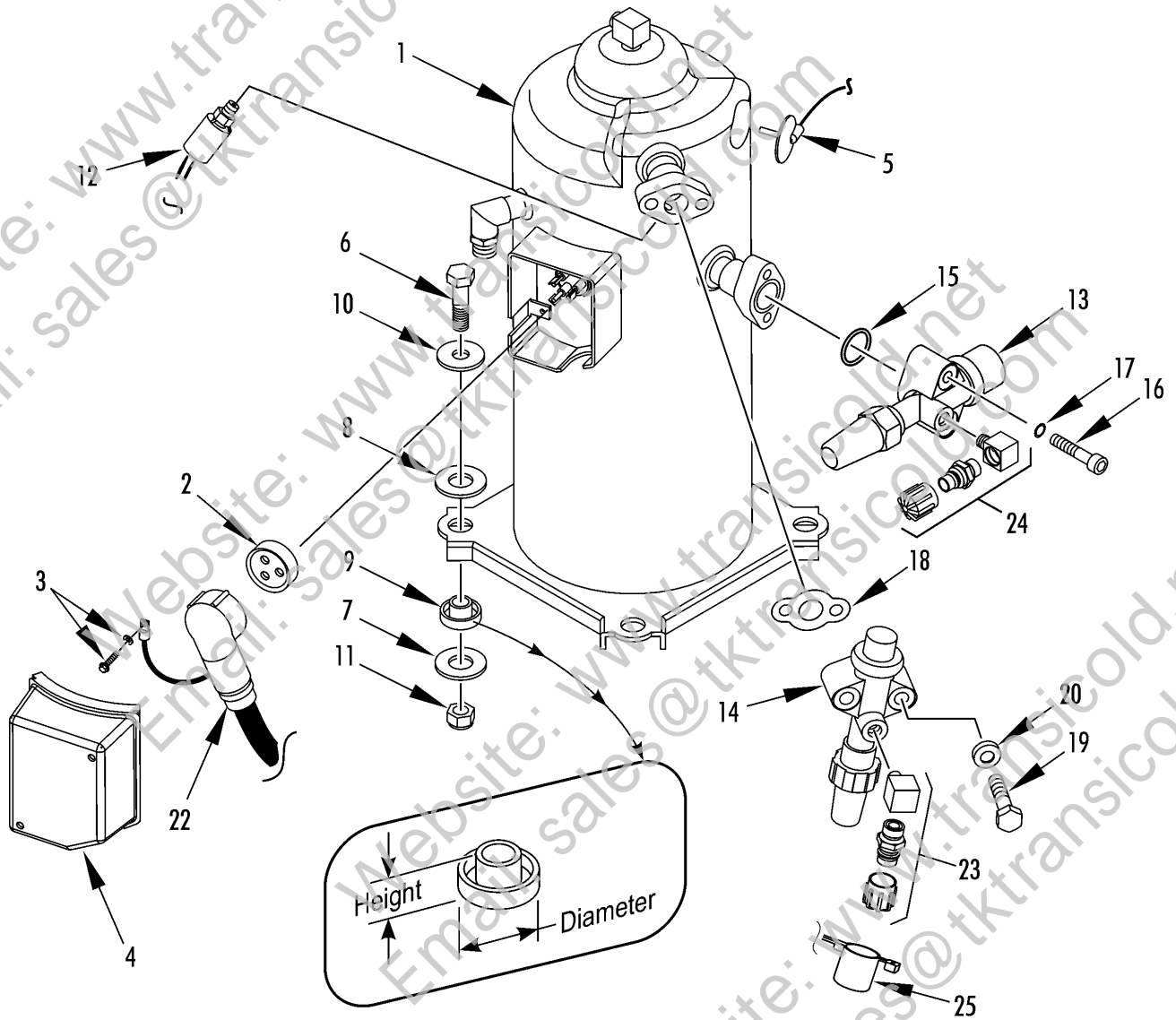
Revised
09/16/17**COMPRESSOR GROUP (SERVICE VALVES)**

| REF | PART NO. | DESCRIPTION | |
|-----|-----------|--|-----|
| 1 | 1020795 | COMPRESSOR - scroll | |
| | 2030964 | OIL - compressor (1L) | A/R |
| | 400779 | KIT - gasket & grease | 1 |
| 2 | 332951 | * GASKET - power connector | 1 |
| | 332979 | * SEALER - silicone grease pack | 1 |
| 3 | 558994 | * SCREW - ground | 1 |
| | 558995 | * WASHER - ground | 1 |
| 4 | 919021 | COVER - terminal box | 1 |
| 5 | 401377 | KIT - thermistor | 1 |
| 6 | 511433 | SCREW - compressor | 4 |
| 7 | 511435 | FLATWASHER (12 mm) | 4 |
| 8 | 559012 | WASHER - vibration damper | 4 |
| 9 | 511432TKA | SPACER (1/03 - 3/10, height - 17.4, dia 34.3) | 4 |
| | 512033TKA | SPACER (3/10 & after, height - 17.9, dia 34.3) | 4 |
| 10 | 511436 | FLATWASHER (13 mm) | 4 |
| 11 | 511434 | NUT | 4 |
| 12 | 414004 | SWITCH - hpco | 1 |
| | 2030393 | SEALER - thread (red) | A/R |
| 13 | 612118 | VALVE - suction | 1 |
| 14 | 612119 | VALVE - discharge | 1 |
| 15 | 330727 | O-RING - suction | 1 |
| 16 | 511438 | SCREW - flange | 2 |
| 17 | 511429 | LOCKWASHER | 2 |
| 18 | 335215 | GASKET - valve (service) | 1 |
| 19 | 511437 | SCREW - discharge valve | 2 |
| 20 | 510358 | WASHER - sealing | 2 |
| 22 | 400782 | KIT - power cord | 1 |
| 23 | 667812 | ADAPTER - high side | 1 |
| | 666610 | FITTING - highside | 1 |
| | 667182 | * CAP - fitting | 1 |

259C5



COMPRESSOR GROUP (SERVICE VA



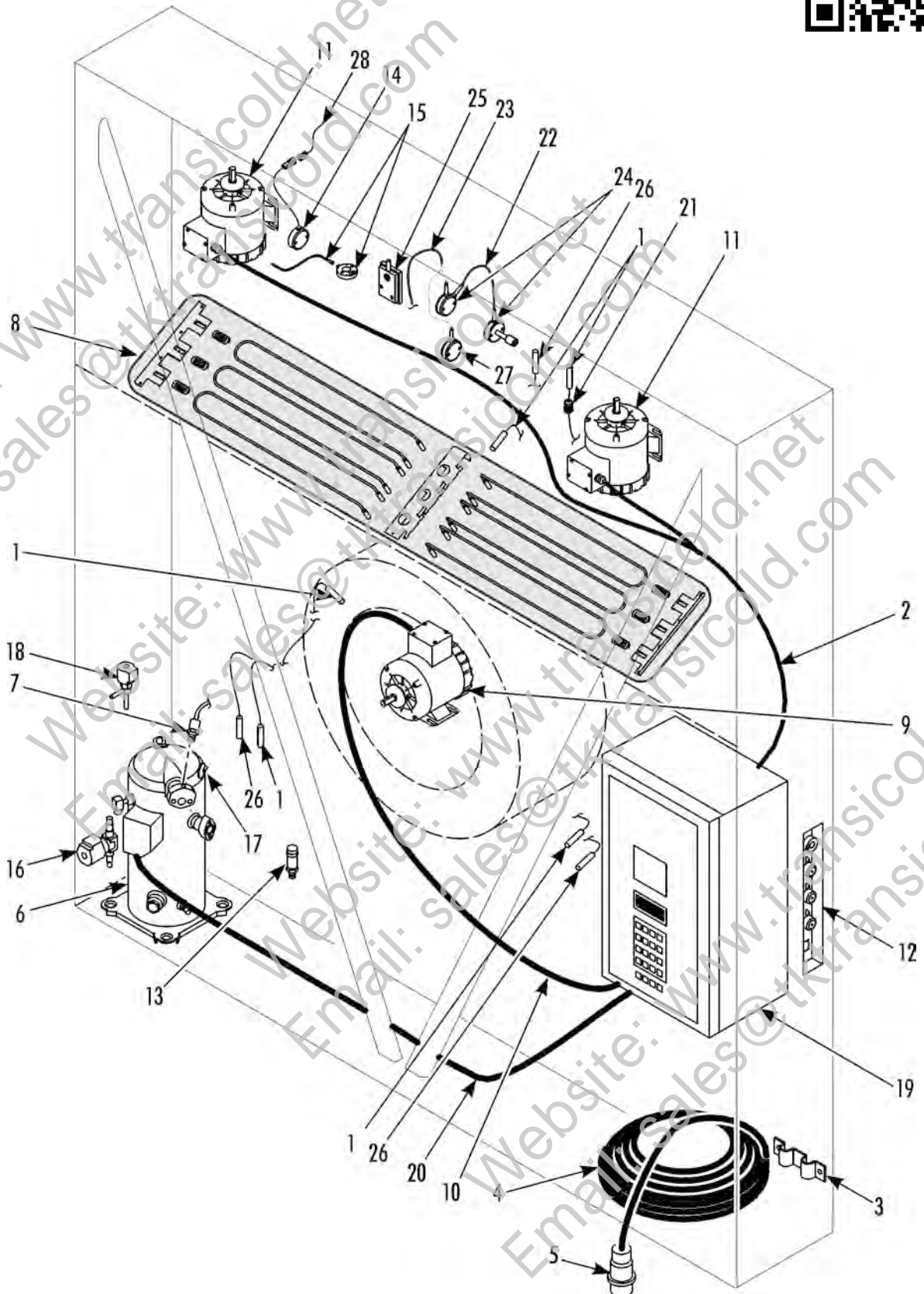
Revised
09/16/17**COMPRESSOR GROUP (SERVICE VALVES)**

| REF | PART NO. | DESCRIPTION | |
|-----|----------|---------------------------------|-----|
| 24 | 668054 | ADAPTER - low side | |
| | 666607 | FITTING - low side | 1 |
| | 667183 | * CAP - fitting | 1 |
| | 2030393 | SEALER - thread (red) | A/R |
| | 616629 | CAP - tamper evident (optional) | A/R |

235G1

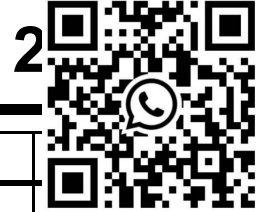


ELECTRICAL COMPONENTS



Revised
03/29/23

ELECTRICAL COMPONENTS



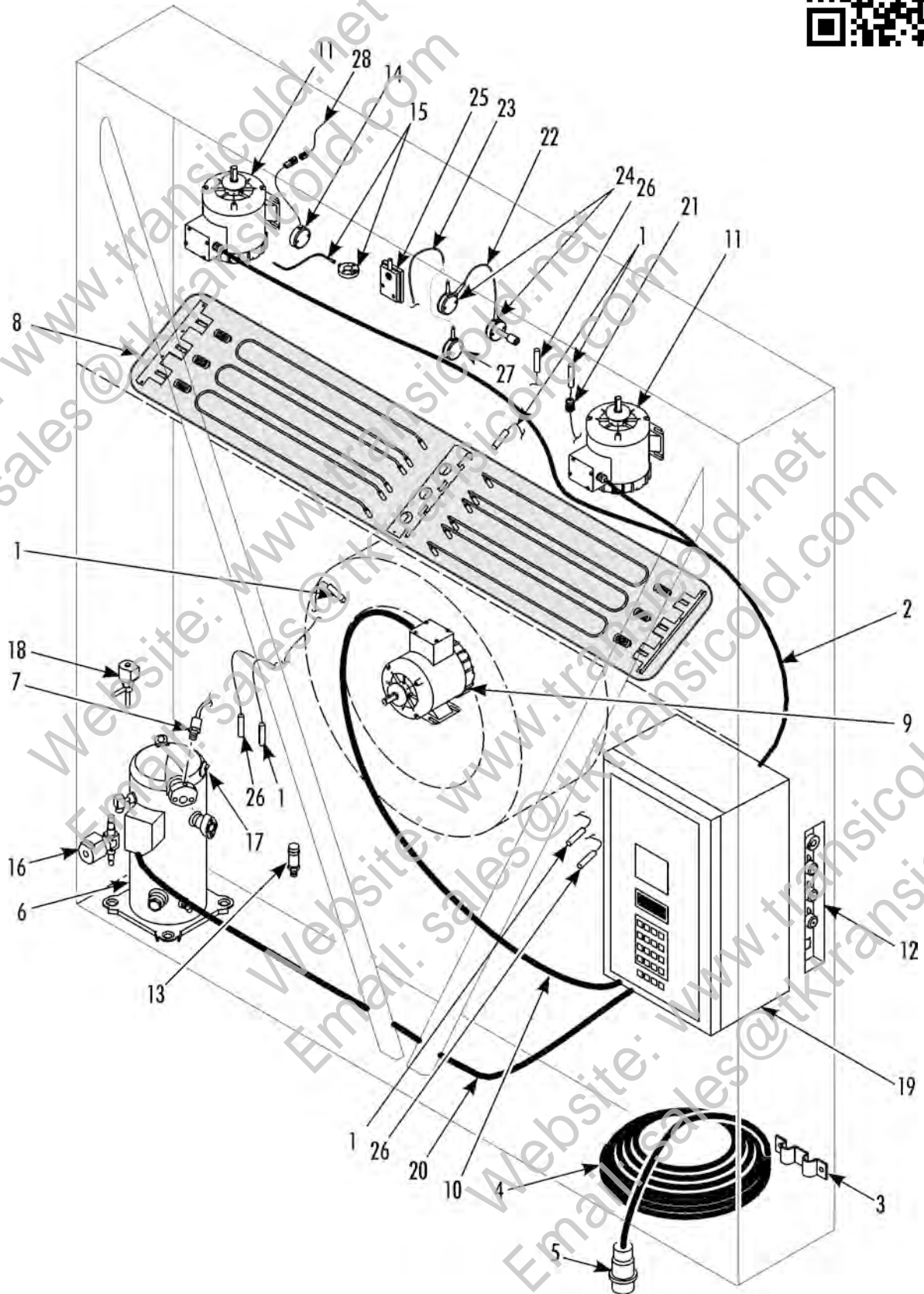
| REF | PART NO. | DESCRIPTION | |
|-----|-----------|--|-----|
| | 401044 | SENSOR - kit (defrost, ambient, air return, supply & coil) | |
| 2 | 413685 | HARNESS - evaporator fan (w/ analog humidity sensor) | 1 |
| | 422605 | HARNESS - evaporator fan (w/ digital humidity sensor) | 1 |
| 3 | 925546 | BRACKET - cable restraint | 1 |
| | 925660 | BRACKET - power cable (10/4 cable) | 1 |
| | 511445 | SCREW - bracket | 2 |
| | 511446 | LOCKWASHER | 2 |
| | 511441 | FLATWASHER | 2 |
| | 559054 | WASHER - insulator | 2 |
| 4 | 451992 | CABLE - power (19.2 meters 11/4 with 333 plug) | 1 |
| | 452143 | CABLE - power (19.2 meters 10/4 with 634 MP4 plug) | 1 |
| | 452709 | CABLE - power (22.8 meters 11/4 with 634 MP4 plug) | 1 |
| | 452708 | CABLE - power (19.8 meters 11/5 with 4 pin male plug) | 1 |
| | 422680 | CABLE - power (3 meters 16/3 with 2 pin female plug) | 1 |
| 5 | 411976 | * PLUG - power (333, included w/ 45-1992) | 1 |
| | 417153 | * PLUG - power (634 MP4, included w/ 45-2143) | 1 |
| | 422664 | * PLUG - power (4 pin male, included w/ 45-2708) | 1 |
| | 422681 | * PLUG - power (2 pin female, included w/ 42-2630) | 1 |
| | 449891 | * TERMINAL - pin | 7 |
| | 400692TKA | KIT - Cable Splice | 1 |
| | 451908 | CABLE (11/4, 250 ft roll) | A/R |
| | 452272 | CABLE (11/4, 1000 ft roll) | A/R |
| 6 | 1020795 | COMPRESSOR - scroll (see 259C5) | 1 |
| 7 | 414004 | SWITCH - npco | 1 |
| 8 | NSS | HEATER GROUP (see grid 259A4) | 1 |
| 9 | 1040759 | MOTOR - condenser fan (see 235E8) | 1 |
| 10 | 412953 | HARNESS - condenser fan (see 235E8) | 1 |
| 11 | 1040691 | MOTOR - evaporator fan (see 235E9 or 247C5) | 2 |

NOTE: Sensor 419836 has been replaced with sensor 422659 and harness 401480. See service bulletin C-141 for more information.

235G1

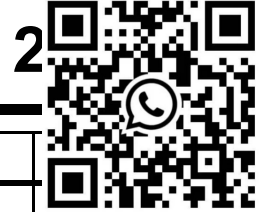


ELECTRICAL COMPONENTS



Revised
03/29/23

ELECTRICAL COMPONENTS



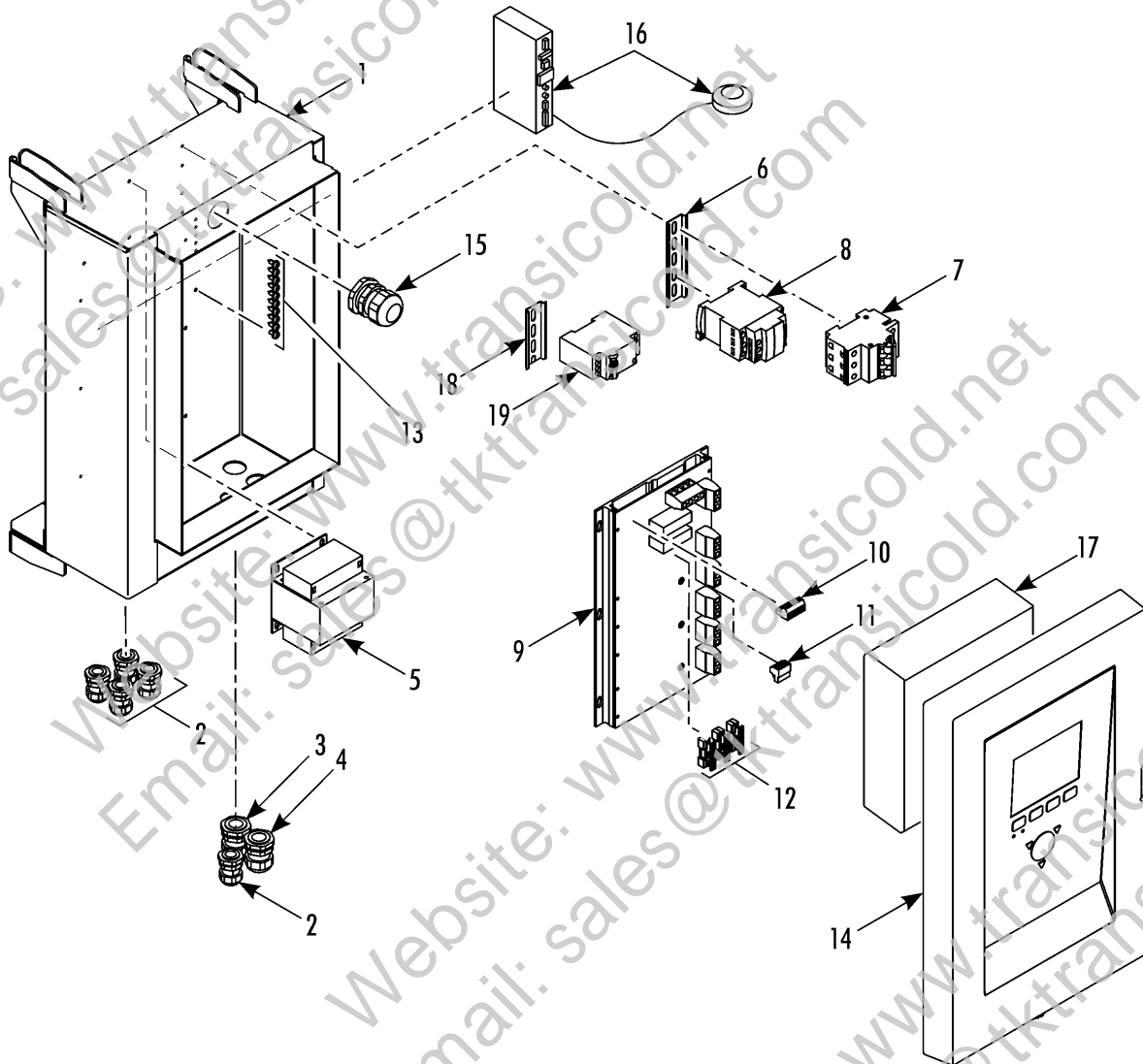
| REF | PART NO. | DESCRIPTION | |
|-----|-----------|--|---|
| 12 | NSS | PANEL - USDA receptacle (see 235G4 or 247C9) | |
| 13 | 425968 | TRANSDUCER - suction | 1 |
| 14 | 422659 | SENSOR - humidity | 1 |
| 15 | 419836 | SENSOR - humidity (RS 485, mP 4000 only, see note) | 1 |
| | 420374 | CABLE - supply (RS 485) | 1 |
| 16 | 612470TKA | VALVE - vapor injection (see 235E0 or 247C0) | 1 |
| | 415460 | COIL - valve | 1 |
| 17 | 401377 | KIT - thermistor | 1 |
| 18 | 617758 | VALVE - digital (see 235E0 or 247C0) | 1 |
| | 417937 | * COIL (only) | 1 |
| 19 | NSS | BOX - control (see 235G2) | 1 |
| 20 | 400782 | CABLE - compressor | 1 |
| 21 | 510270 | CONNECTOR - liquid fit | 1 |
| 22 | 420373 | CABLE - connection | 1 |
| 23 | 420374 | CABLE - supply | 1 |
| 24 | 401163 | KIT, CO ₂ / O ₂ RS485 sensor | 1 |
| 25 | NSS | SENSOR - humidity (for OOCL, not supplied by Thermo King) | 1 |
| 26 | NSS | SENSOR - temperature (for OOCL, not supplied by Thermo King) | 3 |
| 27 | 421595 | SENSOR - CO ₂ (RS485, sensor only) | 1 |
| 28 | 401480 | HARNESS - humidity sensor | 1 |

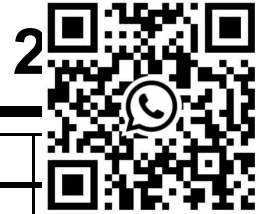
NOTE: Sensor 419836 has been replaced with sensor 422659 and harness 401480. See service bulletin C-141 for more information.

235G2



CONTROL BOX (mP-4000)



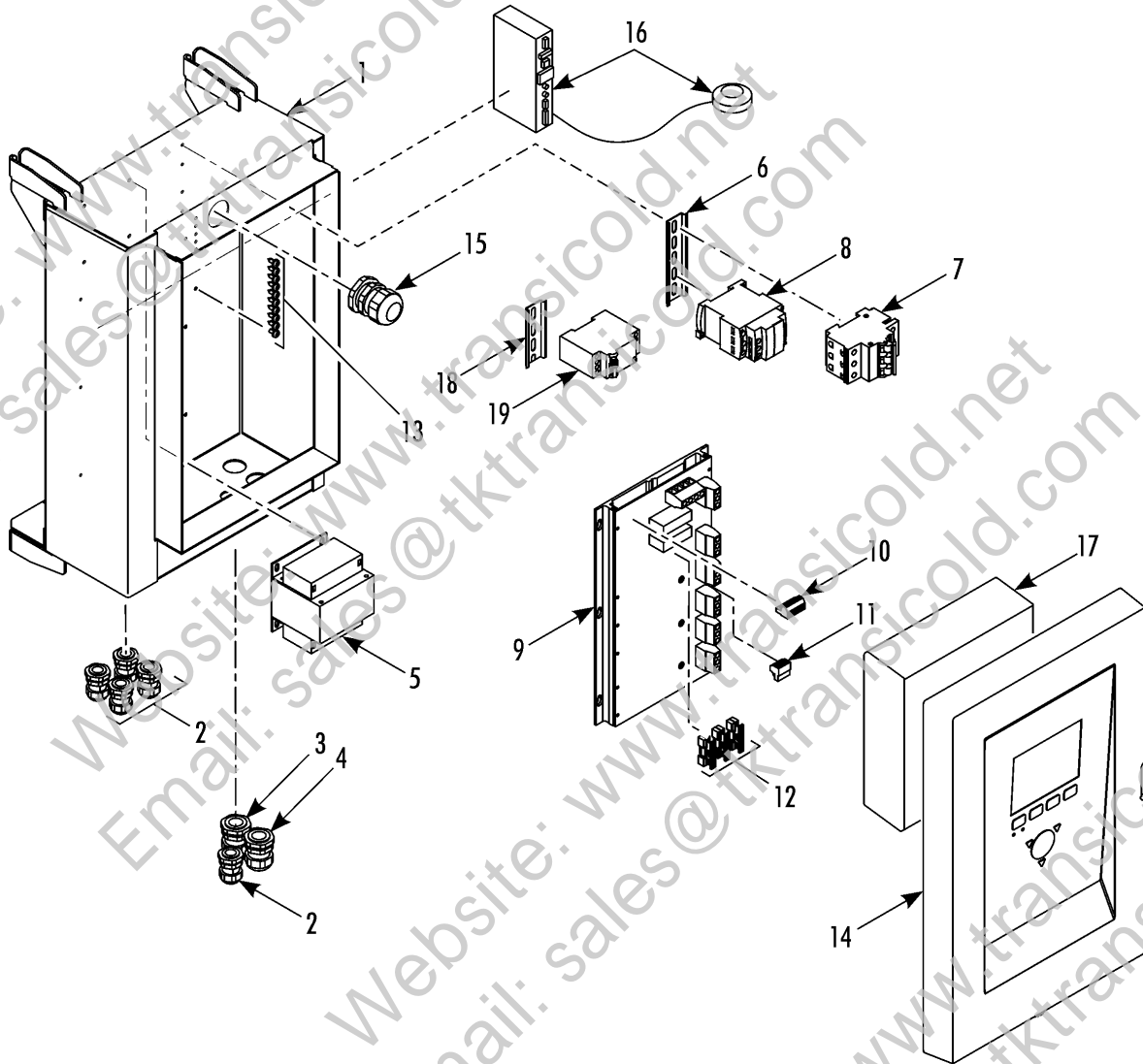
Revised
12/07/21**CONTROL BOX (mP-4000)**

| REF | PART NO. | DESCRIPTION | |
|-----|-----------|---|----|
| 1 | 047225TKA | BASE - control box (mP-4000) | |
| | 931898 | * BOX - control | 1 |
| 2 | 555900 | * CONNECTOR - liquid tite (22.5 mm) | 5 |
| 3 | 555112 | * CONNECTOR - liquid tite (38 mm) | 1 |
| 4 | 555257 | * CONNECTOR - liquid tite (28 mm) | 1 |
| 5 | 418763 | * TRANSFORMER | 1 |
| | 511419 | * NUT | 4 |
| | 511872TKA | * FLATWASHER | 4 |
| | 511270TKA | * STUD | 5 |
| 6 | 927635 | * RAIL - din | 1 |
| | 511445 | * SCREW | 4 |
| | 559485 | * FLATWASHER | 4 |
| 7 | 415104 | * BREAKER - circuit (25A) | 1 |
| | 420352 | * BREAKER - circuit (adjustable, 25-32A) | 1 |
| 8 | 423820 | * CONTACTOR (CI 25) | 1 |
| | 401660 | * KIT - interlock | 1 |
| 9 | 418719 | * MODULE - power (MP-4000) | 1 |
| | 423069 | ** BOARD - communication (see Service Bulletin C131) | 1 |
| 10 | 5040843 | * BLOCK - terminal (6 pole) | 1 |
| 11 | 413596 | * BLOCK - terminal (4 pole) | 1 |
| 12 | 419286 | * FUSE & COVER (20A, black fuse) | 3 |
| 13 | 510336 | * SCREW | 10 |
| | 511873TKA | * LOCKWASHER | 10 |
| 14 | NSS | * DOOR - controller (see 235G3 or 259C6) | 1 |
| | 934514 | NAMEPLATE - mP 4000 | 1 |
| 15 | 413686 | * CONNECTOR - liquid tite | 1 |
| 16 | NSS | GPS MODEM & ANTENNA (for OOCL, not supplied by Thermo King) | 1 |
| | 929521 | BRACKET - GPS (for OOCL) | 1 |
| | 510336 | SCREW - bracket | 4 |
| | 559444 | WASHER - insulating | 4 |

235G2

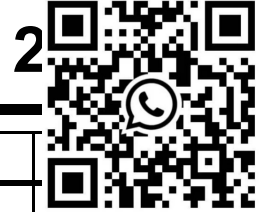


CONTROL BOX (mP-4000)



Revised
12/07/21

CONTROL BOX (mP-4000)



| REF | PART NO. | DESCRIPTION | |
|-----|----------|------------------------------|---|
| 17 | 401161 | KIT - RMM+ module (optional) | |
| 18 | 919273 | RAIL - din | 1 |
| 19 | 422682 | BREAKER | 1 |

Website: www.transicold.net
 Email: sales@tktransicold.com

Website: www.transicold.net
 Email: sales@tktransicold.com

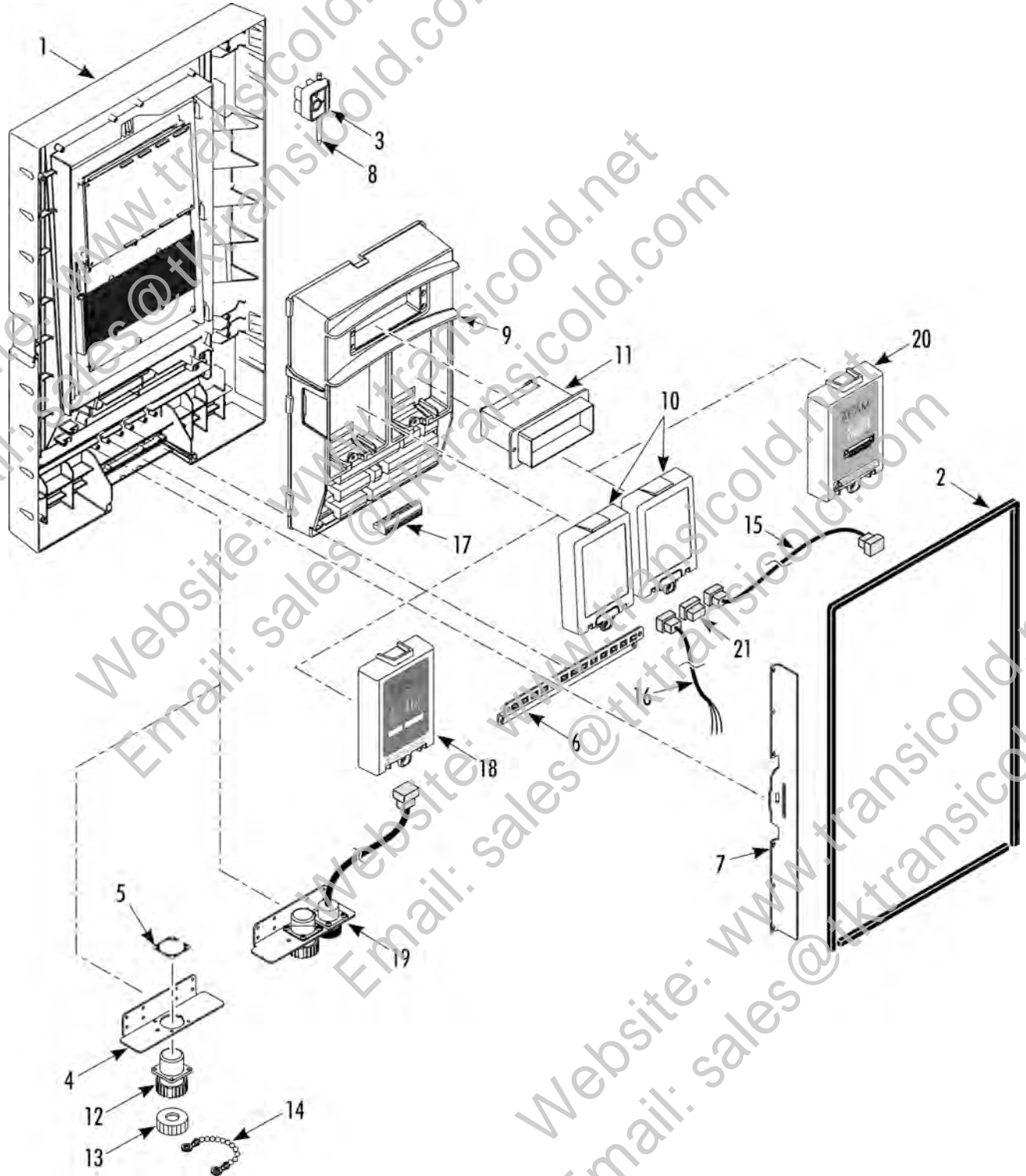
Website: www.transicold.net
 Email: sales@tktransicold.com

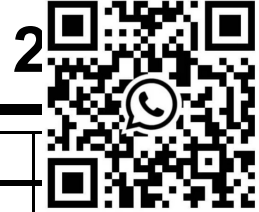
Website: www.transicold.net
 Email: sales@tktransicold.com

235G3



CONTROL BOX DOOR (mP-4000)



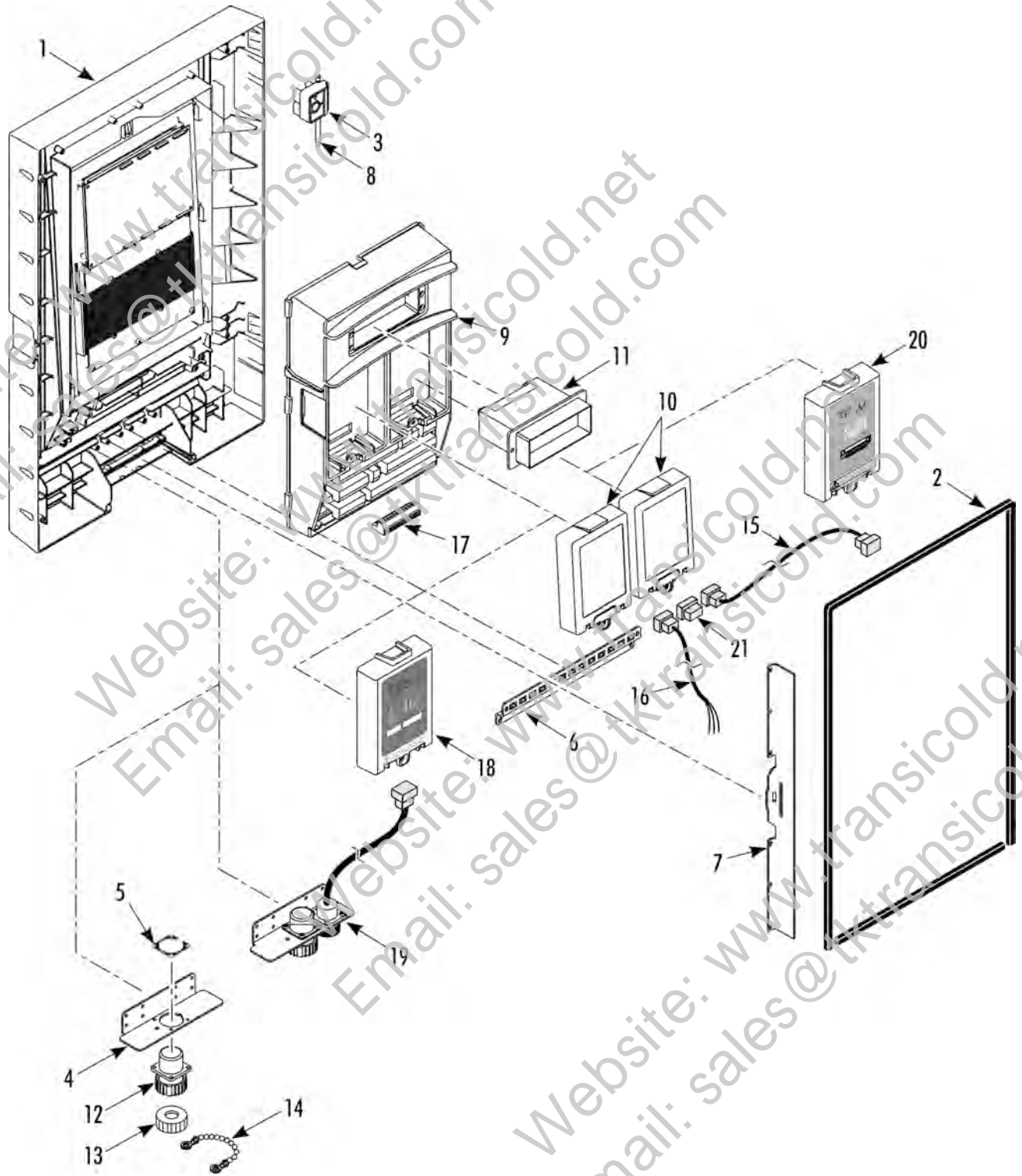
Revised
09/28/21**CONTROL BOX DOOR (mP-4000)**

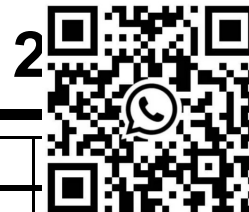
| REF | PART NO. | DESCRIPTION | |
|-----|-----------|---|---|
| 1 | 418723 | DOOR - front (mP-4000, includes keypad & display) | |
| | 424184 | * DISPLAY - LCD | 1 |
| 2 | 334502 | * GASKET - door | 1 |
| 3 | 511844 | * HINGE - top | 2 |
| | 511874TKA | * SCREW | 6 |
| 4 | 927636 | * BRACKET - connector | 1 |
| 5 | 927637 | * BRACKET - washer | 1 |
| | 511875 | * RIVET (3 X 10 mm) | 4 |
| | 511876 | * RIVET (3 X 8 mm) | 1 |
| 6 | 927638 | * BRACKET - cable | 1 |
| 7 | 927559 | * BRACKET - lock reinforcement | 1 |
| 8 | 511843 | * PIN - hinge | 2 |
| | 934514 | NAMEPLATE - mP-4000 | 1 |
| | 2043125 | TOOL - tester (mP-4000) | 1 |
| | 2043140 | PLUG - analog 2 J1 (mP-4000) | 1 |
| | 2043141 | PLUG - analog 3 J3 (mP-4000) | 1 |
| | 2043142 | PLUG - analog 1 J4 (mP-4000) | 1 |
| | 2043143 | PLUG - analog 1 J4 (mP-4000) | 1 |
| | 2043144 | PLUG - COM & J28 (mP-4000) | 1 |
| 9 | 452295 | CONTROLLER (MP-4000) | 1 |
| 10 | 418718 | MODULE - blanking | 2 |
| 11 | 418717 | MODULE - battery | 1 |
| 12 | 418724 | CABLE - retriever | 1 |
| 13 | 412406 | CAP - dust | 1 |
| 14 | 928690TKA | STRAP - cap | 1 |
| 15 | 418716 | CABLE - serial (CM-4000 to PM-4000) | 1 |
| | 421636 | * CONNECTOR - 10-pin (J2 & J17) | 2 |
| 16 | 418715 | CABLE - serial (cargo) | 1 |
| | 419977 | * CONNECTOR - 6-pin (J9) | 1 |
| 17 | 419974 | CONNECTOR - 8-pin (J4) | 1 |

235G3



CONTROL BOX DOOR (mP-4000)



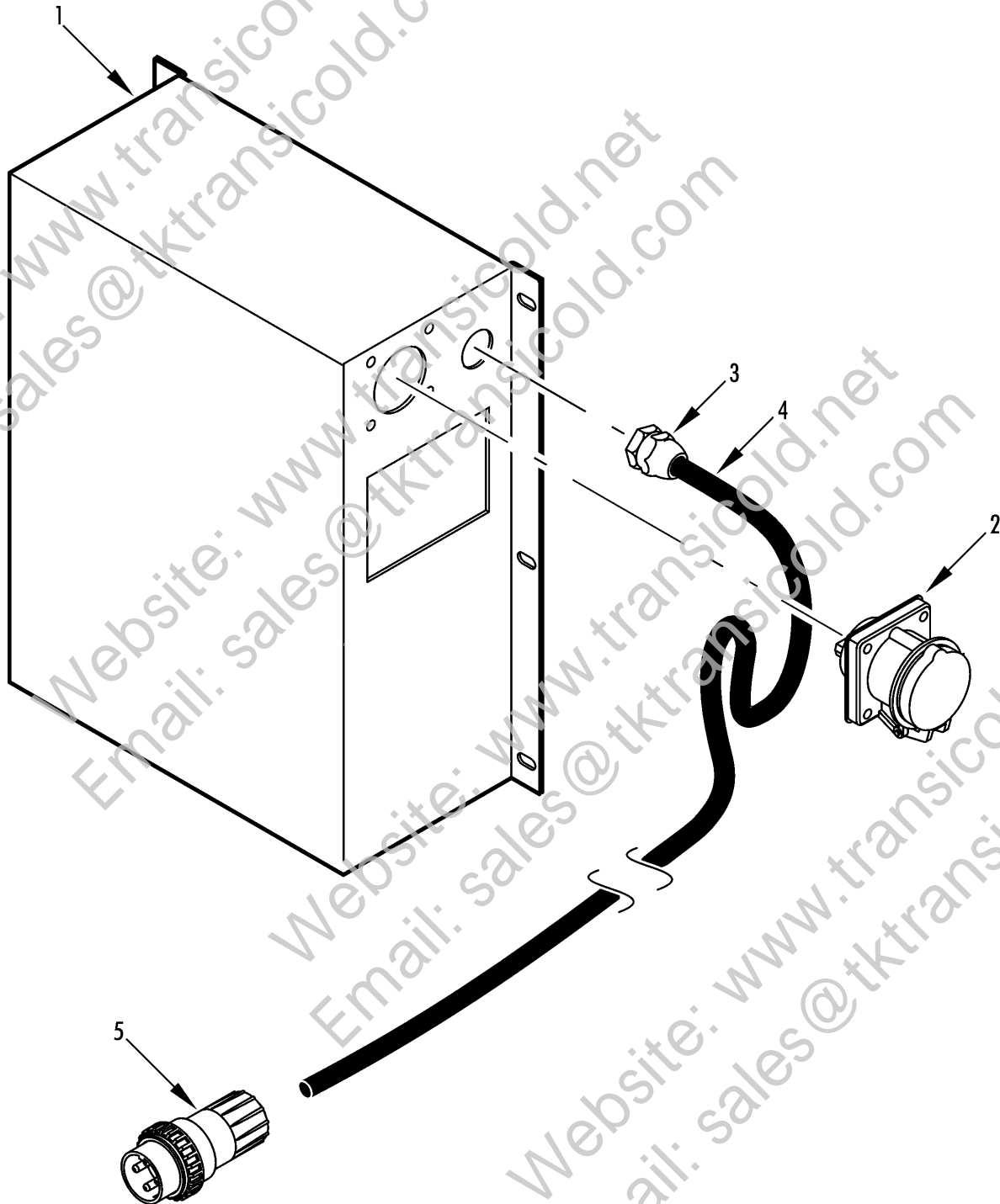
Revised
09/28/21**CONTROL BOX DOOR (mP-4000)**

| REF | PART NO. | DESCRIPTION | |
|-----|----------|---|---|
| | 423976 | CONNECTOR - 9-pin (J1) | |
| | 419976 | CONNECTOR - 4-pin (J12) | 1 |
| | 419978 | CONNECTOR - 17-pin (J3) | 1 |
| | 421609 | CONNECTOR - 8-pin (J28) | 1 |
| | 421636 | CONNECTOR - 10-pin (J2 & J17) | 1 |
| | 422580 | CONNECTOR - 6-pin (J34) | 1 |
| 18 | 401298 | MODULE - 4 pole monitoring | 1 |
| 20 | 420353 | MODULE - AFAM+ | 1 |
| 19 | 419237 | * HARNESS - expansion module | 1 |
| | 401161 | KIT - RMM+ module (optional) | 1 |
| | 452565 | * MODULE - RMM+ (only) | 1 |
| | 420880 | * ANTENNA | 1 |
| 21 | 421609 | CONNECTOR - 8-pin (digital humidity sensor, com 2, J28) | 1 |

298F1



TRANSFORMER GROUP



Revised
05/22/18

TRANSFORMER GROUP

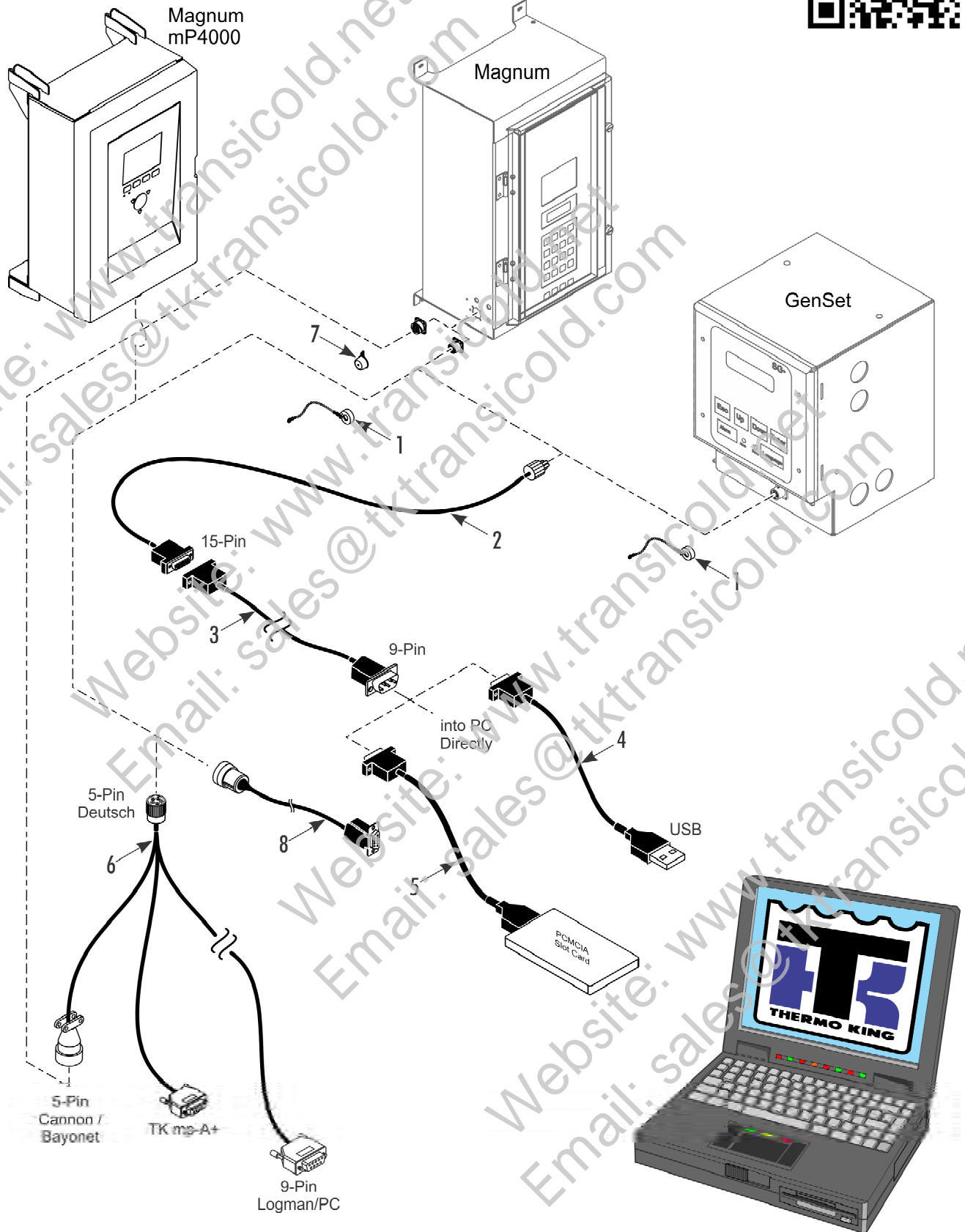


| REF | PART NO. | DESCRIPTION | |
|-----|----------|--------------------------------------|---|
| 1 | 451842 | TRANSFORMER (w/ 8-4, 20 meter cable) | |
| | 445133 | * PLUG | 1 |
| 2 | 411977 | * RECEPTACLE - power | 1 |
| | 552995 | * SCREW - receptacle | 4 |
| | 552964 | * LOCKWASHER | 2 |
| | 552001 | * FLATWASHER | 2 |
| 3 | 555919 | * CONNECTOR - grip | 1 |
| | 552636 | * NUT - connector | 1 |
| 4 | 422663 | * CABLE - power (8-4, 20 meter) | 1 |
| | 413083 | * CABLE - power (8-4, 14 meter) | 1 |
| 5 | 445133 | * PLUG - power (60A, orange) | 1 |

226E2

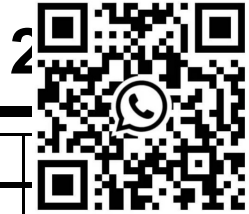


DOWNLOAD CABLES



Revised
08/08/18

DOWNLOAD CABLES

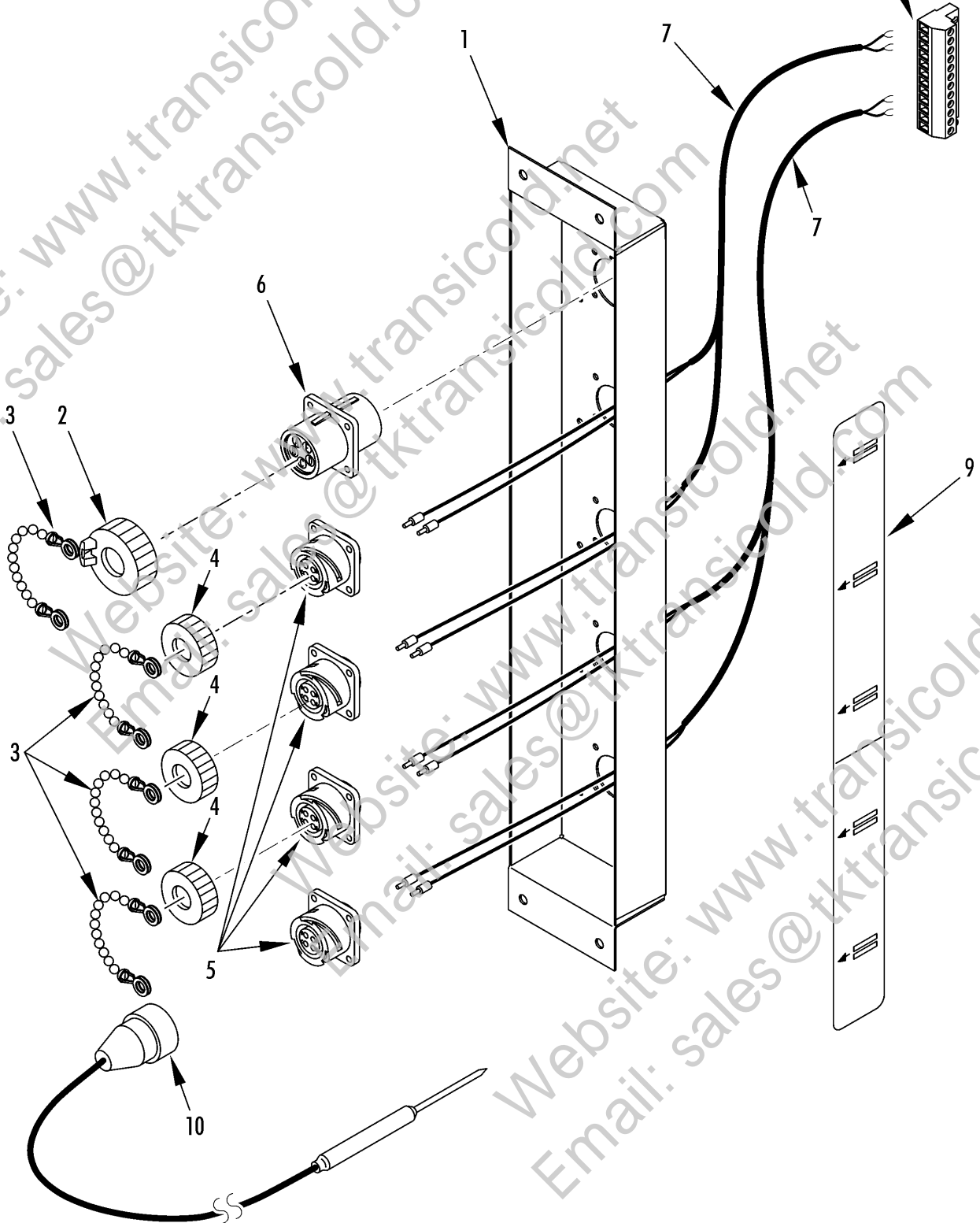


| REF | PART NO. | DESCRIPTION | |
|-----|----------|---|---|
| 1 | 412406 | CAP - dust (5-pin Deutsch) | |
| | 993685 | CHAIN - cap | 1 |
| 2 | 2040918 | CABLE - data (5-pin to 15-pin D connectors) | 1 |
| | 2040974 | CABLE - data (5-pin bayonet to 15-pin D connectors) | 1 |
| | 2040975 | CABLE - data (5-pin threaded to 15-pin D) | 1 |
| 3 | 449417 | CABLE - data (15-pin D connector, 9-pin D PC, 20 ft) | 1 |
| | 449418 | CABLE - data (15-pin D connector, 9-pin D PC, 50 ft) | 1 |
| 4 | 420575 | ADAPTER - serial port to USB | 1 |
| 5 | NSS | ADAPTER - 9-pin D PC to PC card (see service bulletin C061) | 1 |
| 6 | 418065 | CABLE - download (5 pin to Serial) | 1 |
| 7 | 413588 | CAP - dust (5-pin) | 1 |
| 8 | 2041040 | CABLE - download (9 pin to 5 pin) | 1 |

235G4

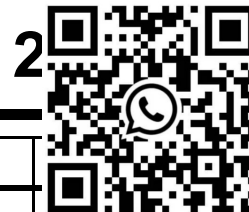


USDA DOWNLOAD PANEL



Revised
01/17/18

USDA DOWNLOAD PANEL

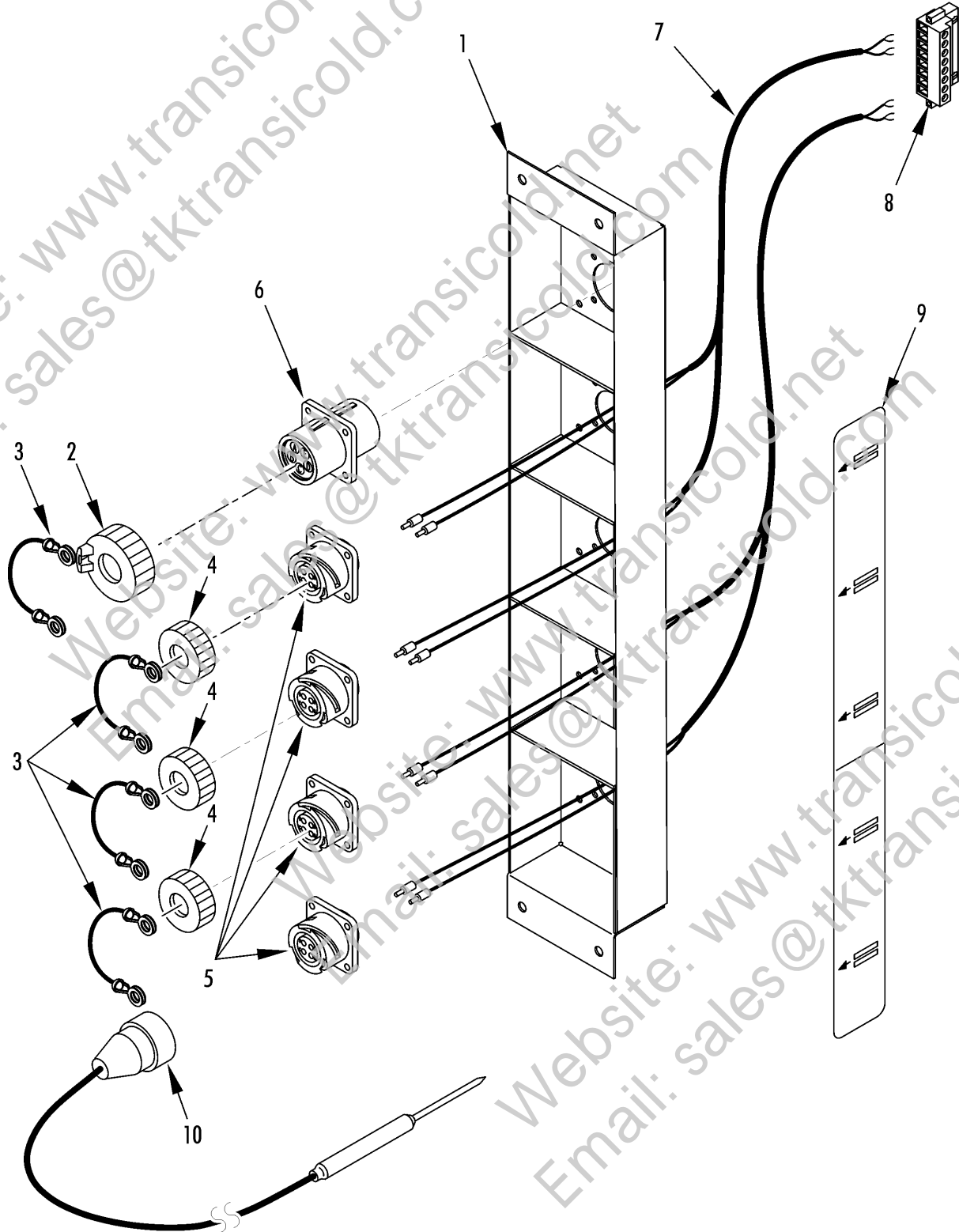


| REF | PART NO. | DESCRIPTION | |
|-----|-----------|--|----|
| 1 | 918645 | PANEL - USDA receptacle (steel) | |
| 2 | 412406 | CAP - dust | 1 |
| | 920206TKA | CAP - dust (rubber) | 1 |
| 3 | 993685 | CHAIN - cap | 5 |
| 4 | 410890 | CAP - dust | 4 |
| | 559323 | RIVET - cap | 4 |
| 5 | 3042772 | RECEPTACLE (4-pin) | 4 |
| | 552270 | RIVET - receptacle | 16 |
| | 557830 | FLATWASHER | 16 |
| 6 | 412405 | CONNECTOR - receptacle (5-pin) | 1 |
| | 552270 | RIVET - receptacle | 4 |
| | 557697 | FLATWASHER | 4 |
| 7 | 417183 | CABLE - NTC | 2 |
| 8 | 413585 | CONNECTOR - plug (12-pin) | 1 |
| 9 | 925392 | NAMEPLATE - data download USDA | 1 |
| 10 | 415405 | SENSOR - thermistor (2.5 dia probe, 4-pin, 14 m PT100, USDA) | 1 |

247C9

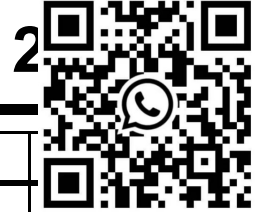


USDA DOWNLOAD PANEL



Revised
08/05/19

USDA DOWNLOAD PANEL

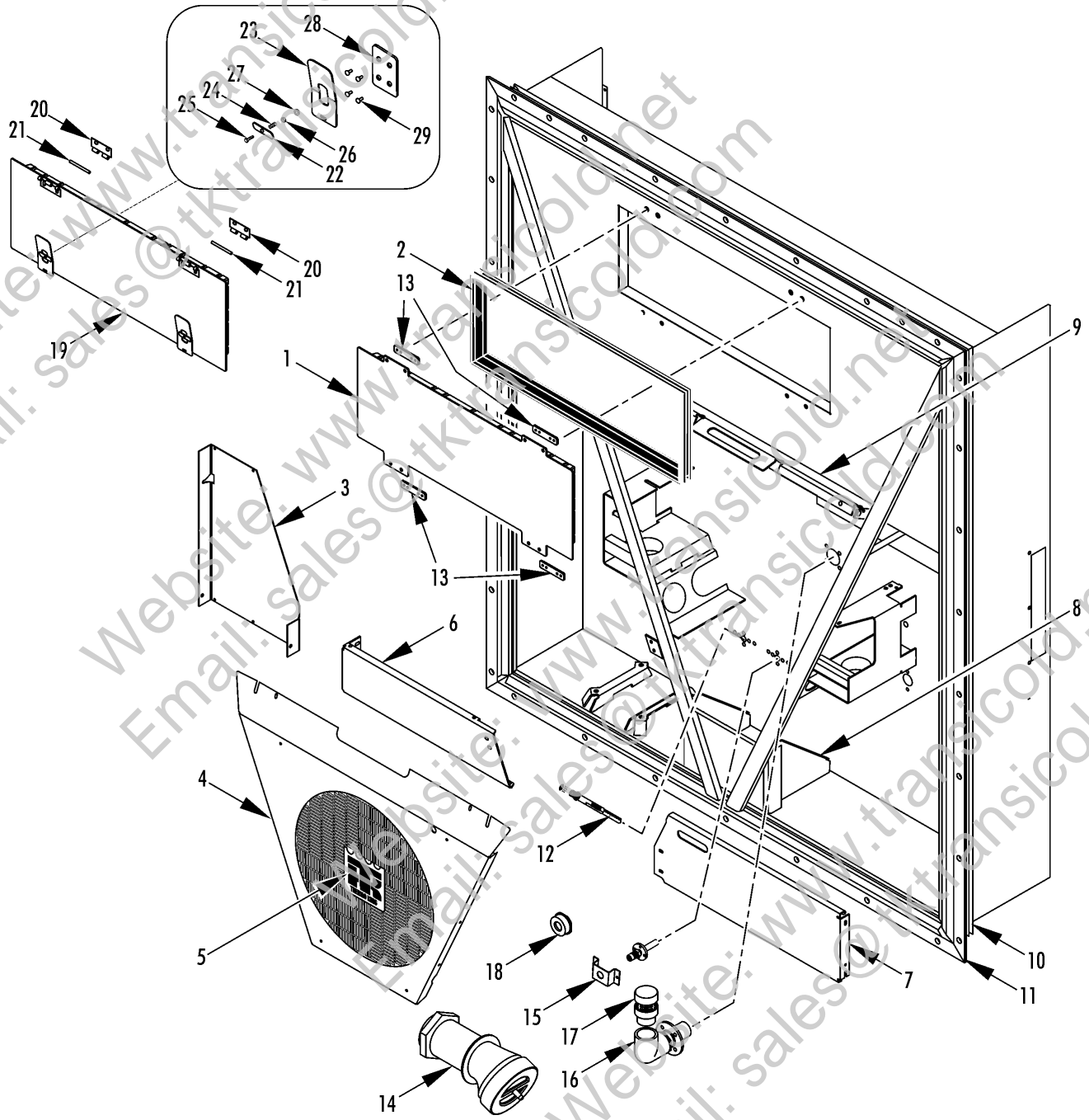


| REF | PART NO. | DESCRIPTION | |
|-----|-----------|---|----|
| | 420308 | PANEL ASSEMBLY - USDA receptacle (plastic) | |
| 1 | 420308 | * PANEL - USDA receptacle | 1 |
| 2 | 412406 | * CAP - dust | 1 |
| 3 | 928690TKA | * STRAP - cap | 5 |
| 4 | 410890 | * CAP - dust | 4 |
| | 559323 | * RIVET - cap | 4 |
| 5 | 3042772 | * RECEPTACLE (3-pin) | 4 |
| 6 | 412405 | * CONNECTOR - receptacle (5-pin) | 1 |
| | 552270 | * RIVET - receptacle | 20 |
| 7 | 417183 | CABLE - NTC | 2 |
| 8 | 419974 | CONNECTOR - plug (8-pin) | 1 |
| 9 | 925392 | NAMEPLATE - data download USDA | 1 |
| 10 | 418188 | SENSOR - thermistor (3-pin, 14 m NTC, USDA) | 4 |

235G5

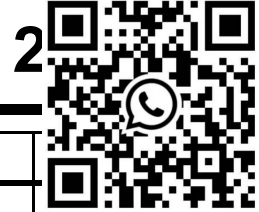


CONDENSER COMPONENTS



Revised
02/27/20

CONDENSER COMPONENTS

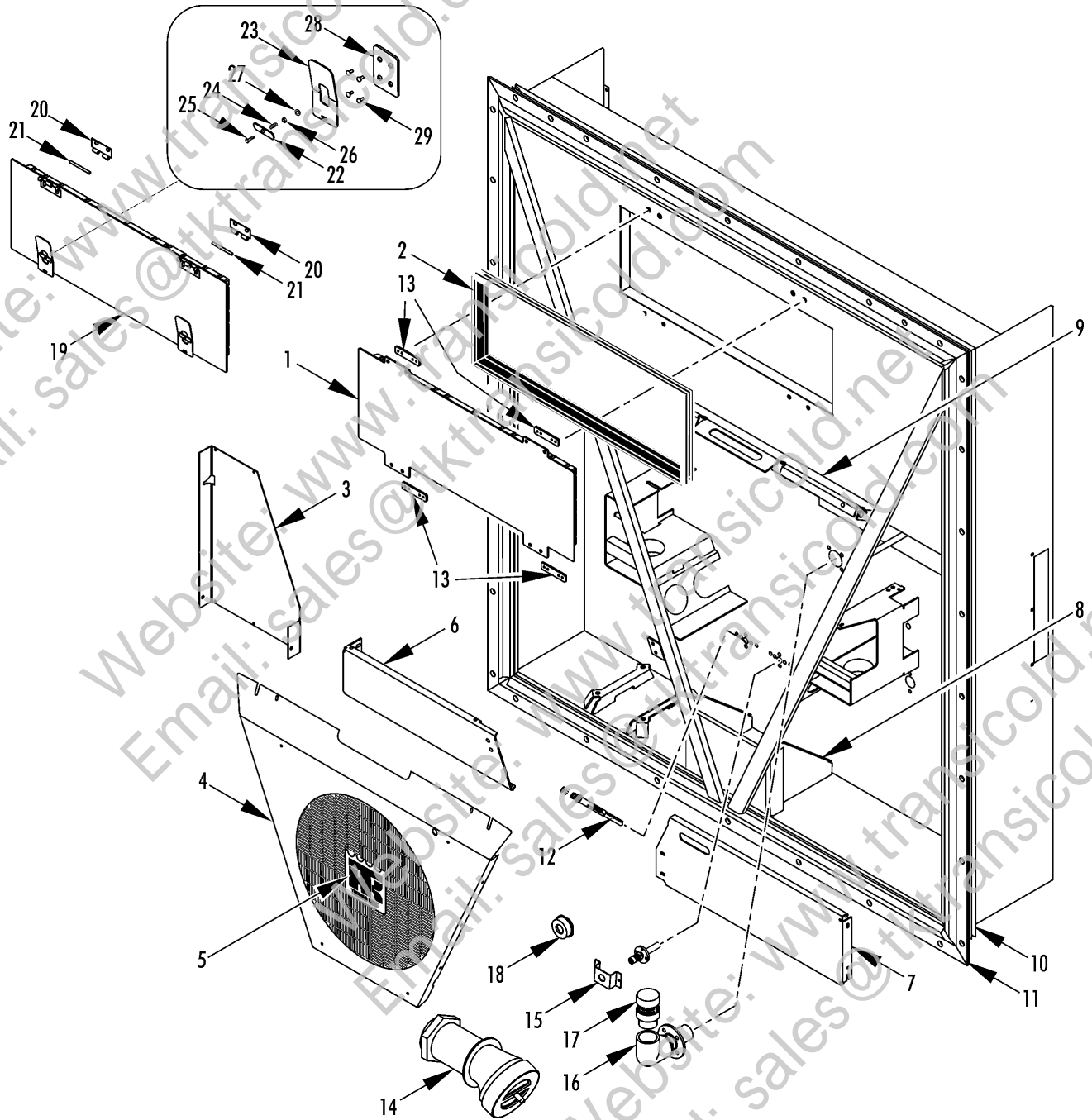


| REF | PART NO. | DESCRIPTION | |
|-----|-----------|---|---|
| 1 | 987691 | DOOR - evaporator (bolt-on door) | |
| | 511460TKA | SCREW - door (M8, TIR seal) | 4 |
| | 511430 | FLAT WASHER (M8) | 4 |
| | 559541 | WASHER (M8, nylon) | 4 |
| | 511459 | SCREW - door (M6, TIR seal) | 4 |
| | 511464 | FLAT WASHER (M6) | 4 |
| | 559054 | WASHER (M6, nylon) | 4 |
| 2 | 333969 | GASKET - evaporator door | 1 |
| 3 | 918728 | COVER (instead of thermometer) | 1 |
| | 511467 | SCREW - cover | 3 |
| | 511444 | FLAT WASHER | 3 |
| 4 | 985925 | GRILLE - condenser (see 189C4) | 1 |
| | 989602 | GRILLE - condenser w/ micro channel coil | 1 |
| | 333043 | GASKET - rubber extrusion | 1 |
| | 511445 | SCREW - grille | 4 |
| | 511464 | FLAT WASHER | 4 |
| | 559054 | WASHER (nylon) | 4 |
| 5 | 918475 | NAMEPLATE - TK | 1 |
| 6 | 918474 | PLATE - guard | 1 |
| | 557341 | SCREW - plate | 3 |
| | 511464 | FLAT WASHER | 6 |
| | 559054 | WASHER - insulation | 6 |
| 7 | 986560 | PLATE - cable storage (units w/o water cooled cond) | 1 |
| | 986236 | PLATE - cable storage (units w/ water cooled cond) | 1 |
| | 511425 | NUT | 2 |
| | 559054 | WASHER (nylon) | 4 |
| | 511464 | FLAT WASHER | 4 |
| 8 | 918108 | BRACKET - frame | 1 |
| | 511442 | SCREW - bracket | 5 |
| | 511425 | NUT | 3 |

235G5

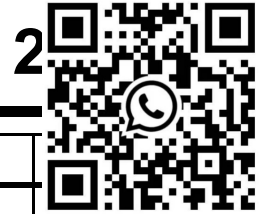


CONDENSER COMPONENTS



Revised
02/27/20

CONDENSER COMPONENTS

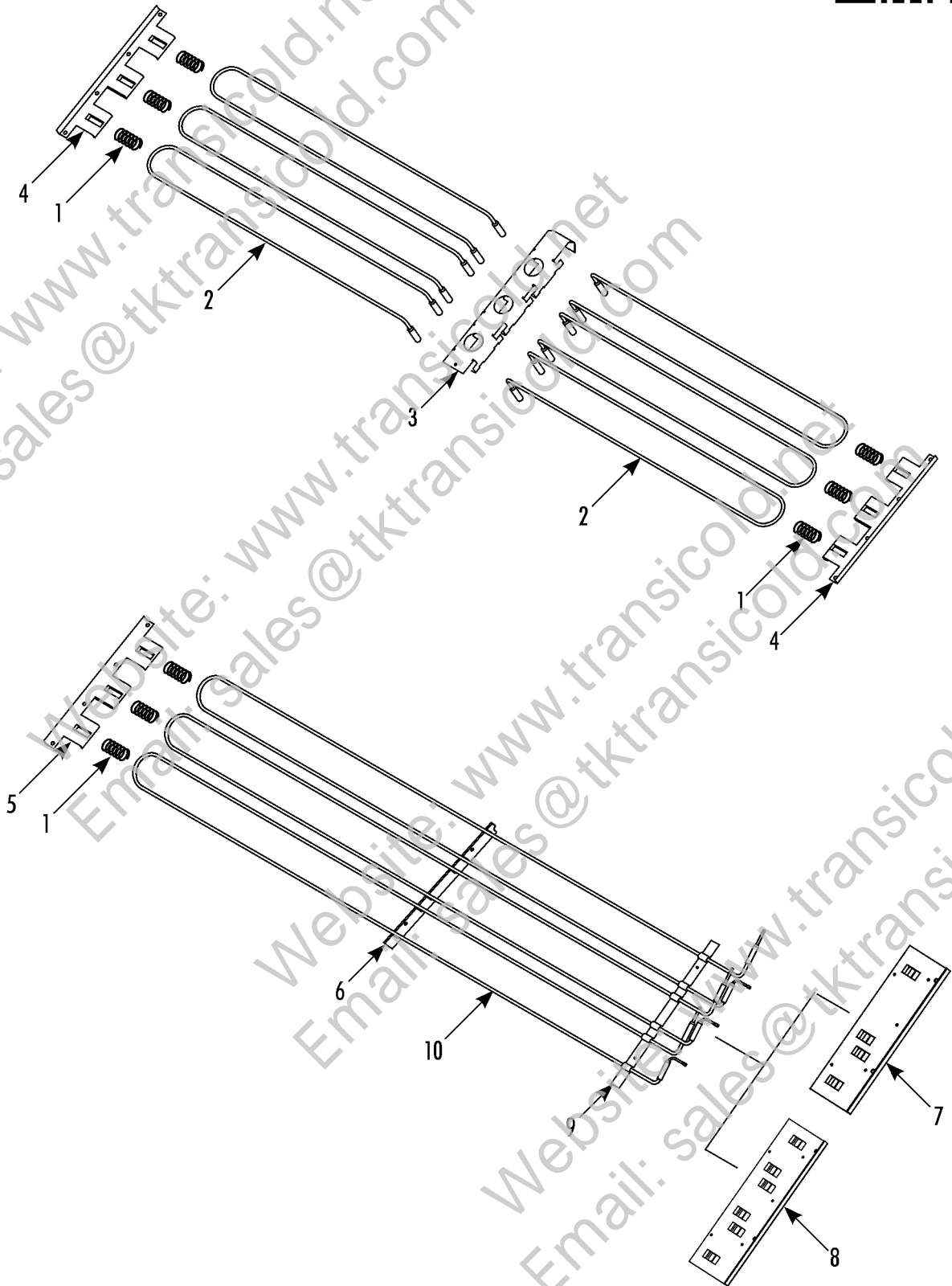


| REF | PART NO. | DESCRIPTION | |
|-----|-----------|-----------------------------|---|
| | 559054 | WASHER (nylon) | |
| | 511464 | FLATWASHER | 5 |
| 9 | 920891 | BRACKET - safety hook | 1 |
| | 511443 | SCREW - bracket | 4 |
| | 511430 | FLATWASHER | 4 |
| | 559541 | WASHER (nylon) | 4 |
| 10 | 332983 | GASKET - unit | 1 |
| 11 | NSS | FRAME - condenser | 1 |
| 12 | 919754 | * POCKET - sensor | 2 |
| 13 | 334829 | GASKET - door | 4 |
| 14 | 615619 | TUBE & VALVE - vacuum | 1 |
| 15 | 919949TKA | PORT - injection (optional) | 2 |
| | 511448 | RIVET - port | 4 |
| 16 | 919950TKA | HOUSING - relief valve | 1 |
| | 511448 | RIVET - housing | 1 |
| 17 | 919951TKA | VALVE - pressure relief | 1 |
| 18 | 615619 | VALVE - vacuum | 1 |
| 19 | 986518 | DOOR - evaporator | 1 |
| 20 | 5091654 | * HINGE | 2 |
| 21 | 918256TKA | * PIN - hinge | 2 |
| 22 | 919040TKA | * KNOB | 2 |
| 23 | 919041TKA | * LATCH - door | 2 |
| 24 | 918199 | * SPRING | 2 |
| 25 | 511459 | * SCREW - door | 2 |
| 26 | 512078 | * NUT | 2 |
| 27 | 510619 | * WASHER | 2 |
| 28 | 918134 | * INSULATOR - latch | 2 |
| 29 | 553101 | * RIVET | 4 |

259A4

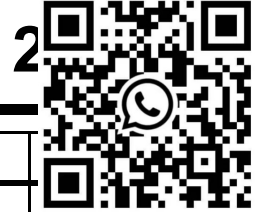


EVAPORATOR HEATER GROUP



Revised
06/27/22

EVAPORATOR HEATER GROUP

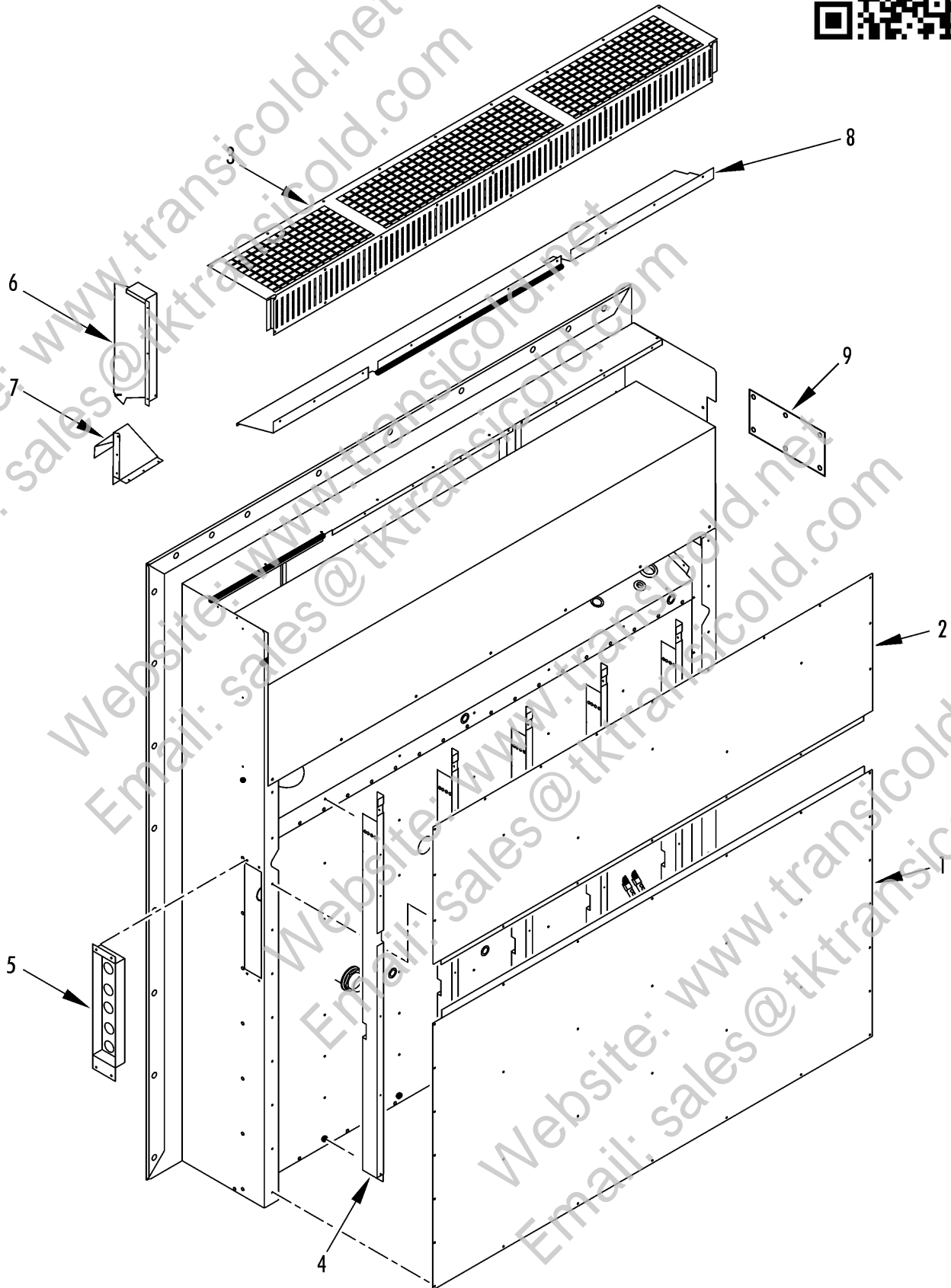


| REF | PART NO. | DESCRIPTION | |
|-----|-----------|---|-----|
| 1 | 918140TKA | SPRING - heater | |
| 2 | 451791 | HEATER (680W, 2 meter leads) | 6 |
| 3 | 918142TKA | BRACKET - heater (center, 15.4/404 long, MAGNUM) | 1 |
| | 918634 | BRACKET - heater (center, 13.6/347 long, MAGNUM SL) | 1 |
| 4 | 918467 | BRACKET - heater (ends, 13.8/350 long, MAGNUM) | 2 |
| | 918629 | BRACKET - heater (ends, 12.8/326 long, MAGNUM SL) | 2 |
| | 513565 | SCREW - bracket | A/R |
| 5 | 918629 | BRACKET - heater (spring end) | 1 |
| 6 | 929488 | BRACKET - heater (center) | 1 |
| 7 | 929489 | BRACKET - heater (lead end) | 1 |
| 8 | 929370 | BRACKET - heater (lead end) | 1 |
| 9 | 929521 | BRACKET - heater (holddown) | 1 |
| | 513565 | SCREW - bracket | A/R |
| 10 | 452889 | HEATER (1360W, 18 ga leads) | 3 |
| | 452834 | HEATER (2000W, 16 ga leads) | 3 |

235G6



EVAPORATOR PANELS



Revised
09/16/17

EVAPORATOR PANELS

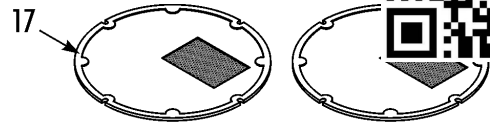


| REF | PART NO. | DESCRIPTION | |
|-----|-----------|--|-----|
| 1 | 985773 | PLATE - rear (bottom) | |
| 2 | 985772 | PLATE - rear (top) | 1 |
| | 510336 | SCREW - plate | 23 |
| | 559444 | WASHER - insulating | 23 |
| | 553136 | RIVET - plate | 29 |
| 3 | 988244 | GRILLE - evaporator | 1 |
| | 553136 | RIVET - grille | 17 |
| 4 | 920427 | CHANNEL - Z (100 mm deep) | 5 |
| | 510621 | RIVET - channel | 39 |
| 5 | NSS | PANEL - USDA receptacle (see 235G4 or 247C9) | 1 |
| 6 | 927639 | CHANNEL - air | 1 |
| 7 | 919330TKA | INLET - fresh air | 1 |
| 8 | 927640 | CHANNEL - fresh air | 1 |
| 9 | 920722 | PLATE - cover | 1 |
| | 559323 | RIVET - channels and plate | A/R |

247C7

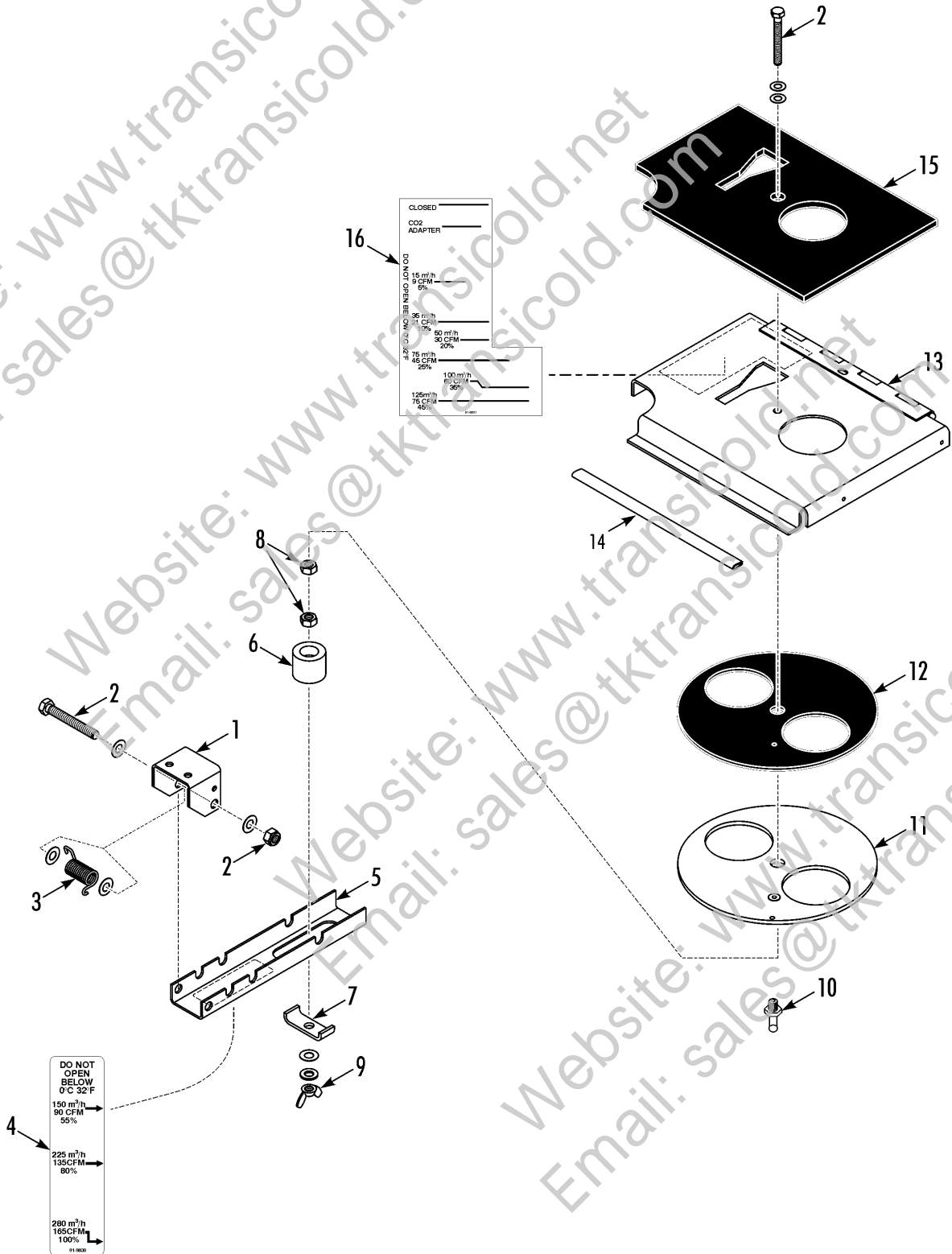


AIR VENT



16

| | |
|----------------------------|---------|
| CLOSED | _____ |
| CO2 ADAPTER | _____ |
| DO NOT OPEN BELOW 0°C 32°F | _____ |
| 15 m³/h | 95 CFM |
| 45 m³/h | 150 CFM |
| 60 m³/h | 200 CFM |
| 75 m³/h | 250 CFM |
| 100 m³/h | 330 CFM |
| 125 m³/h | 410 CFM |



4

| | |
|----------------------------|---------|
| DO NOT OPEN BELOW 0°C 32°F | _____ |
| 150 m³/h | 90 CFM |
| 225 m³/h | 135 CFM |
| 280 m³/h | 165 CFM |
| 100% | _____ |

Revised
09/16/17

AIR VENT

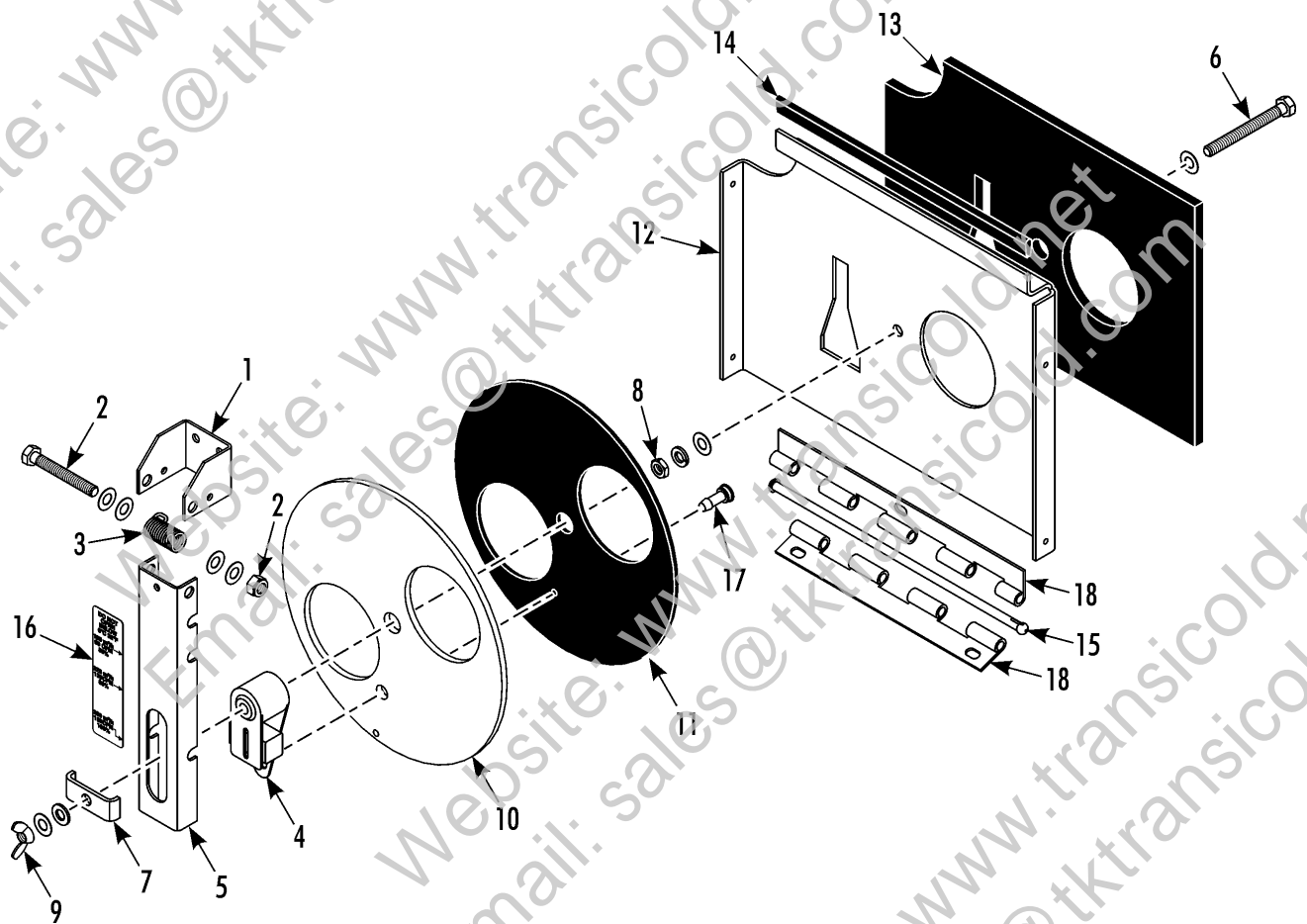


| REF | PART NO. | DESCRIPTION | |
|-----|-----------|---|---|
| | 918252TKA | VENT - air (complete) | |
| 1 | 919048 | * BRACKET - air vent handle | 1 |
| 2 | 511426 | * SCREW - handle | 2 |
| | 511427 | * NUT | 1 |
| | 559541 | * WASHER - nylon | 4 |
| 3 | 918100 | * SPRING | 1 |
| 4 | 920440 | * NAMEPLATE - Do Not Open Below 0 C | 1 |
| 5 | 918102 | * HANDLE - air vent | 1 |
| 6 | 772467 | * BEARING - slide | 1 |
| 7 | 918104 | * BRACKET - air vent handle | 1 |
| 8 | 511428 | * NUT | 2 |
| | 511429 | * LOCKWASHER | 1 |
| 9 | 511431TKA | * NUT - wing | 1 |
| 10 | 559168 | * FITTING - barb | 1 |
| | 558933 | * WASHER - nylon | 1 |
| 11 | 918103 | * DISK - air vent | 1 |
| 12 | 334255 | * GASKET - air vent | 1 |
| 13 | 918105 | * PLATE - air vent (complete) | 1 |
| | 920411 | ** HINGE - air vent | 1 |
| | 929524 | ** PIN - hinge (w/ snap) | 1 |
| 14 | 918663TKA | ** PROTECTOR - edge | 1 |
| 15 | 332944 | ** GASKET - air vent | 1 |
| | 511442 | * SCREW - plate to frame | 2 |
| | 511441 | * WASHER | 2 |
| | 510619 | * WASHER | 2 |
| 16 | 919831TKA | * NAMEPLATE - Air Vent Door | 1 |
| 17 | 930274 | SCREEN - Med fly (3 x 3 mm opening) | 2 |
| | 926863 | SCREEN - Med fly (1.3 x 1.3 mm opening) | 2 |
| | 512308 | SCREW - screen | 8 |

191B6



AIR VENT (40 FT CONTAINERS)



Revised
09/16/17

AIR VENT (40 FT CONTAINERS)

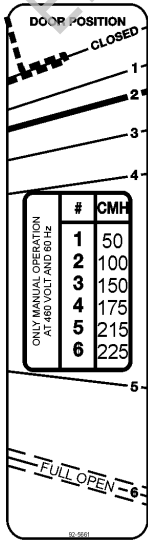
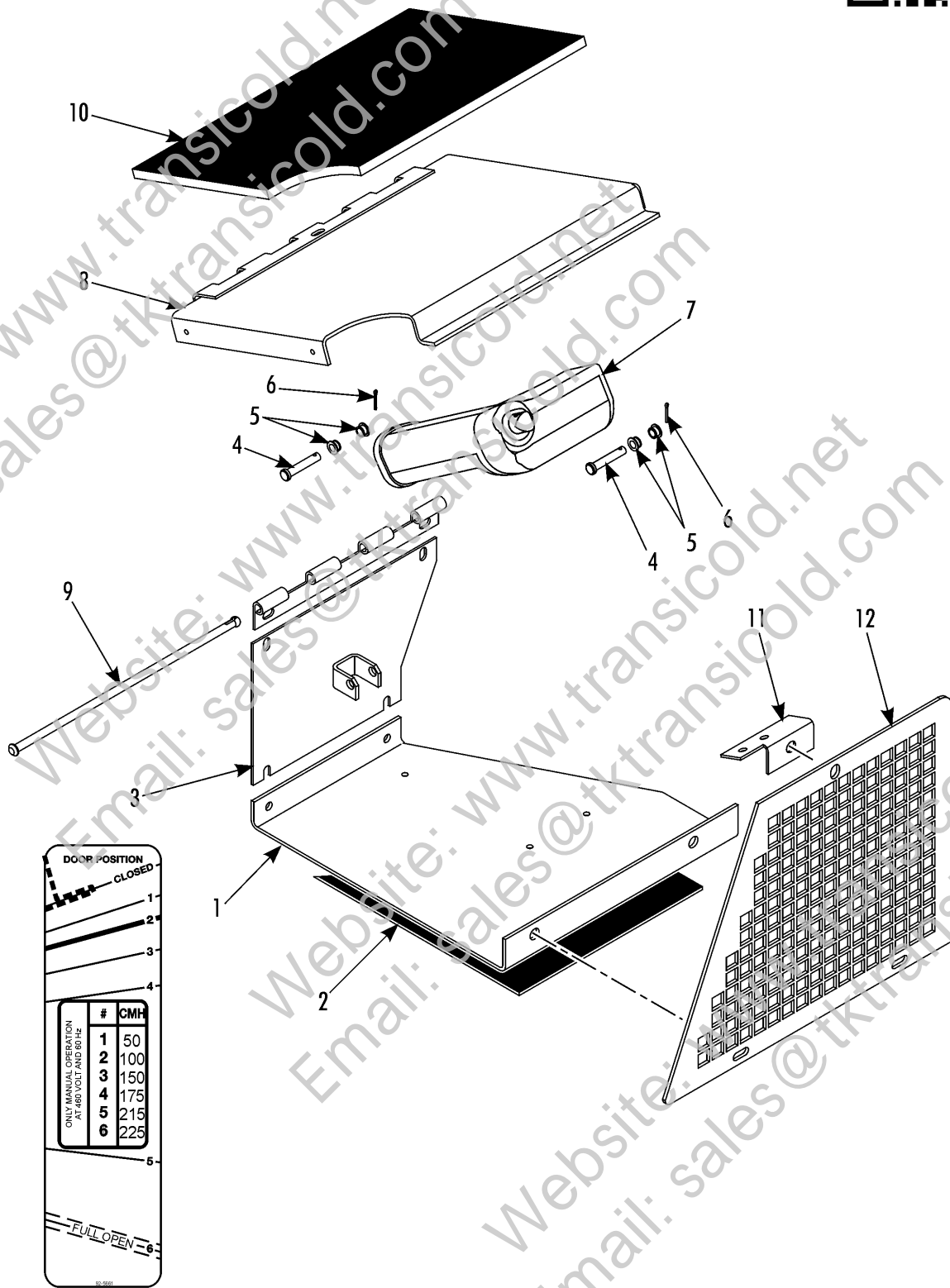


| REF | PART NO. | DESCRIPTION | |
|-----|-----------|-----------------------------------|---|
| 1 | 919048 | BRACKET - air vent handle | |
| 2 | 559442 | SCREW - handle | 1 |
| | 559541 | WASHER - insulation | 4 |
| | 511427 | NUT | 1 |
| 3 | 918100 | SPRING | 1 |
| 4 | 415666 | DEVICE - door position sensor | 1 |
| 5 | 918102 | HANDLE - air vent | 1 |
| 6 | 511458 | SCREW - disk | 1 |
| 7 | 918104 | BRACKET - handle | 1 |
| 8 | 511211TKA | NUT | 2 |
| | 511429 | LOCKWASHER | 1 |
| | 511430 | FLATWASHER | 1 |
| | 559541 | WASHER - insulating | 3 |
| 9 | 511431TKA | NUT - wing | 1 |
| 10 | 918103 | DISK - air vent | 1 |
| 11 | 334255 | GASKET - air vent | 1 |
| 12 | 5090753 | PLATE - air vent | 1 |
| | 557172 | SCREW - plate | 4 |
| | 557075 | FLATWASHER | 4 |
| | 558877 | WASHER (nylon) | 4 |
| 13 | 332944 | GASKET - air vent | 1 |
| 14 | 918663TKA | PROTECTOR - edge | 1 |
| 15 | 929524 | PIN - hinge | 1 |
| 16 | 920440 | NAMEPLATE - Do Not Open Below 0 C | 1 |
| 17 | 559168 | ADAPTER - hose | 1 |
| 18 | 920411 | HINGE - air vent | 1 |
| | 556994 | SCREW - vent hinge | 8 |
| | 557075 | FLATWASHER | 4 |
| | 559541 | WASHER - insulator (8.4 id) | 6 |
| | 557339 | NUT | 6 |

259C3



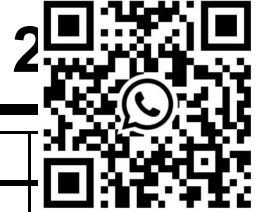
AIR VENT (AFAM + mP-4000)



13

Revised
12/06/22

AIR VENT (AFAM + mP-4000)

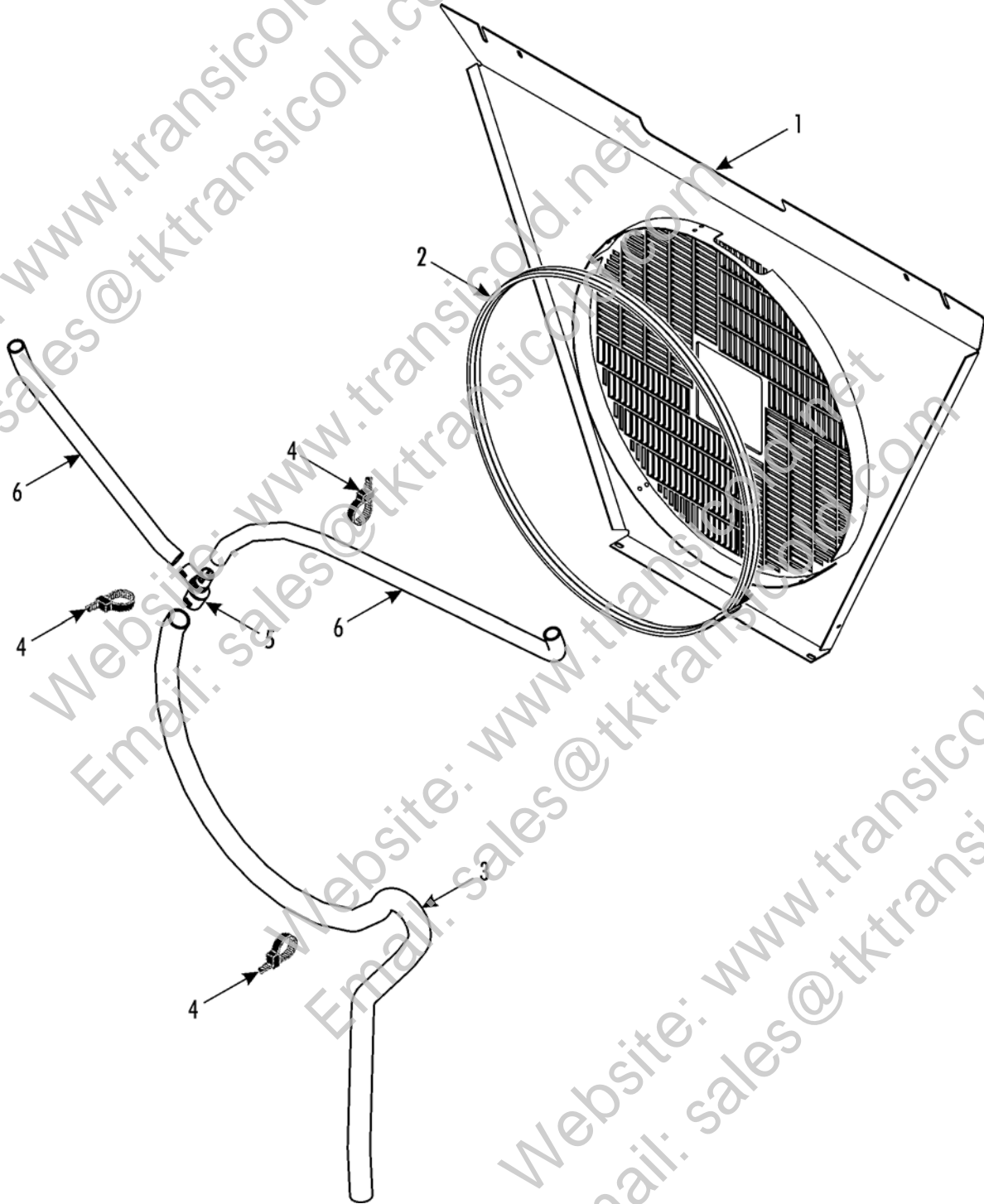


| REF | PART NO. | DESCRIPTION | |
|-----|-----------|----------------------------|---|
| 1 | 929522 | BRACKET - air vent | |
| | 557035 | SCREW - bracket | 2 |
| | 510619 | WASHER - insulator | 2 |
| 2 | 335445 | GASKET | 1 |
| 3 | 929523 | BRACKET - rear | 1 |
| | 511445 | SCREW - bracket | 2 |
| | 511464 | FLATWASHER | 2 |
| | 559054 | WASHER - insulator | 2 |
| 4 | 511496 | PIN - clevis | 2 |
| 5 | 772870 | BEARING | 4 |
| 6 | 552550 | PIN - cotter | 2 |
| 7 | 417238TKA | ACTUATOR | 1 |
| 8 | 925687 | DOOR - AFAM | 1 |
| 9 | 929524 | PIN - hinge | 1 |
| 10 | 333265 | GASKET - air vent | 1 |
| 11 | 920416 | BRACKET - grille | 1 |
| | 511445 | SCREW - bracket | 2 |
| | 559054 | WASHER - insulator | 2 |
| | 511464 | FLATWASHER | 2 |
| 12 | 929525 | GRILLE - fresh air | 1 |
| | 511422TKA | SCREW - grille | 3 |
| | 510619 | WASHER - insulator | 3 |
| 13 | 925661 | LABEL - AFAM door position | 1 |

189C4

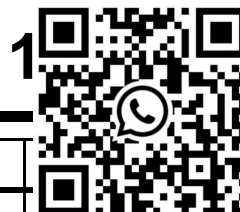


DEFROST DRAIN



Revised
09/25/17

DEFROST DRAIN

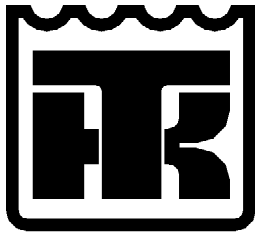


| REF | PART NO. | DESCRIPTION | |
|-----|----------|--|-----|
| 1 | 985925 | GRILLE - condenser | |
| | 511445 | SCREW - grille | 4 |
| | 511464 | FLATWASHER | 4 |
| | 559054 | WASHER (nylon) | 4 |
| 2 | 333043 | GASKET - grille (extrusion) | 1 |
| 3 | 119734 | HOSE - drain (29 mm id, cut as required) | A/R |
| 4 | 552330 | BANDWRAP | A/R |
| 5 | 119735 | TEE - drain hose | 1 |
| 6 | 119576 | HOSE - drain (21 mm id, cut as required) | A/R |

180E6



NAMEPLATES



1



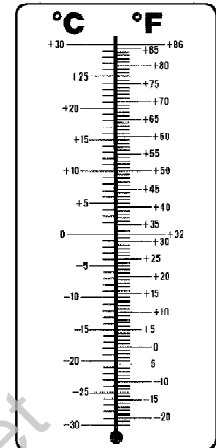
2

THERMO KING

3

WARNING
Hot Components
Compressor discharge
may be hot!

6



7

R-404A
COMPRESSOR FILLED WITH ESTER OIL
PART No: 203-433

4

WARNING
FANS START
AUTOMATICALLY

5

WARNING !
TURN POWER OFF
BEFORE DISCONNECTING
DATALOGGER OR
CONTROLLER.

8

DATA DOWNLOAD PORT
USDA #1 SPARE 1
USDA #2 SPARE 2
USDA #3 SPARE 3
PULP/ SPARE 5

9

WARNING
CONSULT MAINTENANCE MANUAL FOR PRECAUTIONS BEFORE WELDING ON CONTAINER OR REFRIGERATION UNIT.

1. Disconnect all power to the refrigeration unit.
2. Disconnect all quick-disconnect wire harnesses.
3. Switch all of the electrical circuit breakers in the control box to the DFF position.
4. Weld unit and/or container per normal welding procedure. Keep ground return electrode as close to the area to be welded as practical. This will reduce the likelihood of stray welding currents passing through any electrical or electronic circuits.
5. After the authorization is completed, the unit power cables, wiring and circuit breakers must be returned to their normal condition.

10

TRANSFRESH DATA CONNECTOR A 3

11

TRANSFRESH SCRUBBER CONNECTOR A 5

12

WARNING Make sure container is vented before entering, may contain low oxygen concentration.

WARNING Vergewissern Sie sich, dass der Container vor dem Eintreten belüftet ist, um Sauerstoffmangel auszuschließen.

ADVERTENCIA Confirme que que el contenedor este ventilado antes de entrar, bajo condiciones de poco oxígeno.

주의 들어가기 전에 컨테이너에 환풍이 되어 있는지 확인하십시오. 오, 저산소 상태가 발생할 수 있습니다.

注意 入庫前に容器に換気を行ってください。酸素不足状態になるおそれがあります。

14

WARNING
Do Not Operate Scroll Compressor with Service or Receiver Tank Valves Closed. Compressor Damage Will Occur.

13

DO NOT OPEN BELOW 0°C 32°F

150 m³/h
90 CFM
55%

225 m³/h
135 CFM
80%

280 m³/h
165 CFM
100%

15

DO NOT OPEN BELOW 0°C 32°F

CLOSED
CO2 ADAPTER

15 m³/h
9 CFM
5%

35 m³/h
21 CFM
10%

50 m³/h
30 CFM
20%

75 m³/h
45 CFM
25%

100 m³/h
60 CFM
35%

125 m³/h
75 CFM
45%

16

DOOR POSITION

CLOSED

CMH CFM

| | | |
|---|-----|-----|
| 1 | 35 | 21 |
| 2 | 75 | 45 |
| 3 | 125 | 75 |
| 4 | 150 | 90 |
| 5 | 225 | 135 |
| 6 | 280 | 165 |

17

WARNING
HOT COMPONENTS
Compressor Discharge may be hot.
Do not operate compressor with service valves closed. Compressor damage will occur.

18



19

DOOR POSITION

CLOSED

ONLY MANUAL OPERATION AT 45° FOOT AND 60° HZ

| # | CMH |
|---|-----|
| 1 | 50 |
| 2 | 100 |
| 3 | 150 |
| 4 | 175 |
| 5 | 215 |
| 6 | 225 |

FULL OPEN

20

SET FRESH AIR ONLY BY USING THE CONTROL BOX DISPLAY
UNIT EQUIPPED WITH ELECTRONIC FRESH AIR RECORDER

21



22



23

Revised
09/16/17

NAMEPLATES



| REF | PART NO. | DESCRIPTION | |
|-----|-----------|--|---|
| 1 | 918475 | NAMEPLATE - TK (crest) | |
| 2 | 924305 | NAMEPLATE - IR logo (red/ black) | 1 |
| 3 | 919778 | NAMEPLATE - Thermo King | 1 |
| 4 | 918154 | NAMEPLATE - R404A | 1 |
| 5 | 918694 | NAMEPLATE - Warning, Fan Start | 1 |
| 6 | 918695 | NAMEPLATE - Warning, Hot Components | 1 |
| 7 | 915635 | NAMEPLATE - Temperature Conversion | 1 |
| 8 | 919382TKA | NAMEPLATE - Warning | 1 |
| 9 | 920243TKA | NAMEPLATE - USDA Connections | 1 |
| | 925392 | NAMEPLATE - USDA Connections | 1 |
| 10 | 921218 | NAMEPLATE - Weid | 1 |
| 11 | 918697 | NAMEPLATE - Data A3 | 1 |
| 12 | 918696 | NAMEPLATE - Scrubber A5 | 1 |
| 13 | 919596 | NAMEPLATE - Warning, Scroll Compressor | 1 |
| 14 | 922585 | NAMEPLATE - Warning, Low Oxygen | 1 |
| 15 | 920440 | NAMEPLATE - Air Vent Handle | 1 |
| 16 | 919831TKA | NAMEPLATE - Air Vent Door | 1 |
| 17 | 922586 | NAMEPLATE - AFAM Door Position | 1 |
| 18 | 924724 | NAMEPLATE - Warning English | 1 |
| 19 | 934515 | NAMEPLATE - TAL | 1 |
| 20 | 925661 | NAMEPLATE - AFAM Door Position | 1 |
| 21 | 934592 | NAMEPLATE - Air Vent | 1 |
| 22 | 926814 | NAMEPLATE - AFAM + | 1 |
| 23 | 934593 | NAMEPLATE - SeaCube | 1 |

INDEX NUMERICAL BY PART NUMBER



| | | | | | | |
|-----------|--------------------|------------|-----------|----------------|-----------|---------------------------|
| 047225TKA | | 43 | 401660 | 43 | 422682 | |
| 1020795 | 15, 21, 27, 35, 39 | | 410890 | 55, 57 | 423069 | |
| 1040691 | | 11, 39 | 411976 | 39 | 423670 | |
| 1040759 | | 9, 39 | 411977 | 51 | 423820 | 43 |
| 1040858 | | 7 | 412405 | 55, 57 | 423976 | 49 |
| 119576 | | 73 | 412406 | 47, 53, 55, 57 | 424184 | 47 |
| 119734 | | 73 | 412953 | 7, 9, 39 | 425968 | 23, 41 |
| 119735 | | 73 | 413083 | 51 | 425969 | 25 |
| 2030385 | | 33 | 413585 | 55 | 445133 | 51 |
| 2030393 | 33, 35, 37 | | 413588 | 53 | 449417 | 53 |
| 2030964 | | 35 | 413596 | 43 | 449418 | 53 |
| 2040918 | | 53 | 413685 | 11, 39 | 449891 | 39 |
| 2040974 | | 53 | 413686 | 43 | 451791 | 63 |
| 2040975 | | 53 | 414004 | 19, 31, 35, 39 | 451842 | 51 |
| 2041040 | | 53 | 414473 | 19, 23, 31 | 451908 | 39 |
| 2043125 | | 47 | 415104 | 43 | 451992 | 39 |
| 2043140 | | 47 | 415405 | 55 | 452143 | 39 |
| 2043141 | | 47 | 415460 | 17, 21, 29, 41 | 452272 | 39 |
| 2043142 | | 47 | 415666 | 69 | 452295 | 47 |
| 2043143 | | 47 | 417153 | 39 | 452565 | 49 |
| 2043144 | | 47 | 417183 | 55, 57 | 452708 | 39 |
| 3042772 | | 55, 57 | 417238TKA | 71 | 452709 | 39 |
| 330367 | | 7, 9, 11 | 417937 | 19, 23, 29, 41 | 452834 | 63 |
| 330566 | | 19, 23, 31 | 418065 | 53 | 452889 | 63 |
| 330727 | | 35 | 418188 | 57 | 5040843 | 43 |
| 332205 | | 27 | 418715 | 47 | 5040919 | 17, 29 |
| 332944 | | 67, 69 | 418716 | 47 | 5060364 | 15, 33 |
| 332950 | | 7 | 418717 | 47 | 5090753 | 69 |
| 332951 | | 35 | 418718 | 47 | 5091654 | 61 |
| 332979 | | 35 | 418719 | 43 | 510270 | 41 |
| 332983 | | 61 | 418723 | 47 | 510273 | 15 |
| 333007 | | 15, 27, 33 | 418724 | 47 | 510336 | 43, 65 |
| 333043 | | 59, 73 | 418763 | 43 | 510358 | 35 |
| 333265 | | 71 | 419237 | 49 | 510619 | 61, 67, 71 |
| 333912TKA | | 15, 21, 27 | 419286 | 43 | 510621 | 65 |
| 333917 | | 11 | 419836 | 13, 41 | 511211TKA | 69 |
| 333929 | | 11 | 419974 | 47, 57 | 511270TKA | 43 |
| 333969 | | 59 | 419976 | 49 | 511419 | 43 |
| 334255 | | 67, 69 | 419977 | 47 | 511421TKA | 15 |
| 334499 | | 17, 29 | 419978 | 49 | 511422TKA | 71 |
| 334500 | | 17, 29 | 420308 | 57 | 511425 | 15, 17, 21, 29, 59 |
| 334501 | | 19, 31 | 420352 | 43 | 511426 | 67 |
| 334502 | | 47 | 420353 | 49 | 511427 | 7, 9, 11, 67, 69 |
| 334829 | | 61 | 420373 | 41 | 511428 | 67 |
| 335215 | | 35 | 420374 | 13, 41 | 511429 | 7, 9, 11, 27, 33, 35, 67, |
| 335445 | | 71 | 420575 | 53 | 69 | |
| 335576 | | 11 | 420880 | 49 | 511430 | 7, 33, 59, 61, 69 |
| 335607 | | 9 | 421595 | 41 | 511431TKA | 67, 69 |
| 400692TKA | | 39 | 421609 | 49 | 511432TKA | 35 |
| 400779 | | 35 | 421636 | 47, 49 | 511433 | 35 |
| 400782 | | 35, 41 | 422580 | 49 | 511434 | 35 |
| 401044 | | 39 | 422605 | 11, 39 | 511435 | 35 |
| 401161 | | 45, 49 | 422659 | 13, 41 | 511436 | 35 |
| 401163 | | 41 | 422663 | 51 | 511437 | 35 |
| 401298 | | 49 | 422664 | 39 | 511438 | 35 |
| 401377 | | 35, 41 | 422680 | 39 | 511439 | 23 |
| 401480 | | 13, 41 | 422681 | 39 | 511440TKA | 21 |

INDEX NUMERICAL BY PART NUMBER



| | | | | | |
|-----------|----------------------------------|----------------|---------------------------|-----------|----------------|
| 511441 | 9, 15, 19, 21, 25, 31, 39, 67 | 557029 | 19 | 613506 | |
| 511442 | 7, 9, 15, 17, 23, 27, 29, 59, 67 | 557035 | 33, 71 | 613508 | |
| 511443 | 7, 9, 61 | 557075 | 33, 69 | 613542 | |
| 511444 | 7, 9, 11, 59 | 557172 | 69 | 615619 | 61 |
| 511445 | 39, 43, 59, 71, 73 | 557339 | 69 | 616629 | 37 |
| 511446 | 39 | 557341 | 59 | 617758 | 19, 23, 29, 41 |
| 511448 | 61 | 557697 | 55 | 617816 | 27 |
| 511458 | 69 | 557830 | 55 | 617817 | 27 |
| 511459 | 59, 61 | 558877 | 69 | 617818 | 27 |
| 511460TKA | 59 | 558933 | 67 | 617819 | 27 |
| 511462 | 31, 33 | 558950 | 17, 23, 29 | 664788 | 33 |
| 511464 | 17, 23, 27, 59, 61, 71, 73 | 558951 | 17, 23, 29 | 666607 | 29, 37 |
| 511467 | 27, 33, 59 | 558993 | 19 | 666610 | 15, 27, 33, 35 |
| 511477 | 19, 25, 31 | 558994 | 35 | 667182 | 33, 35 |
| 511496 | 71 | 558995 | 35 | 667183 | 29, 37 |
| 511843 | 47 | 559012 | 35 | 667543 | 21, 33 |
| 511844 | 47 | 559027 | 15, 19 | 667812 | 15, 35 |
| 511869 | 11 | 559054 | 7, 9, 15, 17, 23, 27, 39, | 668054 | 23, 29, 37 |
| 511871TKA | 15 | 59, 61, 71, 73 | | 668811 | 15, 27, 33 |
| 511872TKA | 43 | 559162 | 11 | 669125 | 21, 33 |
| 511873TKA | 43 | 559168 | 67, 69 | 669447 | 21, 33 |
| 511874TKA | 47 | 559217 | 11 | 669842 | 19 |
| 511875 | 47 | 559323 | 55, 57, 65 | 671575 | 21, 33 |
| 511876 | 47 | 559442 | 69 | 671889 | 17, 21, 29 |
| 512033TKA | 35 | 559444 | 43, 65 | 671921 | 23 |
| 512078 | 61 | 559485 | 43 | 671922 | 23 |
| 512308 | 67 | 559541 | 59, 61, 67, 69 | 671923 | 19, 23, 31 |
| 513166 | 9 | 600285TKA | 7, 15, 21 | 672787 | 15 |
| 513167 | 27 | 600310TKA | 7, 15, 21 | 672865 | 7 |
| 513168 | 27 | 600731 | 17, 21, 29 | 672874 | 9, 27 |
| 513169 | 27 | 610443 | 19, 23, 31 | 672876 | 27 |
| 513170 | 19, 31 | 610786 | 15, 21, 27 | 772467 | 67 |
| 513561 | 33 | 611305 | 21, 33 | 772870 | 71 |
| 513565 | 11, 63 | 611847 | 21, 29 | 781683 | 11 |
| 550302 | 15, 17, 27 | 612048 | 19, 23, 31 | 781737 | 11 |
| 552001 | 51 | 612049 | 19, 23, 31 | 781924 | 7, 9 |
| 552270 | 55, 57 | 612050TKA | 19, 23, 31 | 902523 | 7, 19, 25 |
| 552296 | 19, 23, 31 | 612051 | 19, 23, 31 | 910758 | 19, 25, 31 |
| 552324 | 7, 9 | 612118 | 35 | 910759 | 19, 27, 33 |
| 552330 | 73 | 612119 | 35 | 911800TKA | 17, 29 |
| 552550 | 71 | 612162TKA | 15, 21, 27 | 915635 | 75 |
| 552636 | 51 | 612238 | 15 | 916627 | 33 |
| 552964 | 51 | 612464 | 23 | 916628 | 33 |
| 552995 | 51 | 612465 | 19, 23, 29 | 918100 | 67, 69 |
| 553101 | 61 | 612466 | 19, 23, 29 | 918102 | 67, 69 |
| 553136 | 65 | 612467TKA | 15, 21, 27 | 918103 | 67, 69 |
| 553251TKA | 17, 21, 29 | 612468 | 19, 23, 31 | 918104 | 67, 69 |
| 555112 | 43 | 612470TKA | 17, 21, 29, 41 | 918105 | 67 |
| 555257 | 43 | 612471 | 17, 21, 29 | 918108 | 59 |
| 555900 | 7, 9, 11, 43 | 612472 | 17, 21, 23 | 918134 | 61 |
| 555919 | 51 | 612474 | 17, 21, 29 | 918140TKA | 63 |
| 556388 | 19, 23, 31 | 612475 | 15 | 918142TKA | 63 |
| 556730 | 15, 33 | 612477 | 15, 21 | 918154 | 75 |
| 556994 | 69 | 612569 | 15 | 918199 | 61 |
| | | 613502 | 17, 23, 29 | 918252TKA | 67 |
| | | 613503 | 17, 21, 27 | 918256TKA | 61 |
| | | 613504 | 21, 33 | 918466TKA | 11 |

INDEX NUMERICAL BY PART NUMBER



| | | | |
|-----------|--------------------|-----------|-----------------------------|
| 918467 | 63 | 927635 | 43 |
| 918474 | 59 | 927636 | 47 |
| 918475 | 59, 75 | 927637 | 47 |
| 918629 | 63 | 927638 | 47 |
| 918634 | 63 | 927639 | 65 |
| 918645 | 55 | 927640 | 65 |
| 918663TKA | 67, 69 | 928690TKA | 47, 57 |
| 918694 | 75 | 929370 | 63 |
| 918695 | 75 | 929488 | 63 |
| 918696 | 75 | 929489 | 63 |
| 918697 | 75 | 929520TKA | 17, 21, 27 |
| 918728 | 59 | 929521 | 43, 63 |
| 919021 | 35 | 929522 | 71 |
| 919040TKA | 61 | 929523 | 71 |
| 919041TKA | 61 | 929524 | 67, 69, 71 |
| 919048 | 67, 69 | 929525 | 71 |
| 919273 | 45 | 930274 | 67 |
| 919328 | 11 | 931898 | 43 |
| 919330TKA | 65 | 934514 | 43, 47 |
| 919382TKA | 75 | 934515 | 75 |
| 919596 | 75 | 934585 | 9 |
| 919754 | 61 | 934586 | 9 |
| 919778 | 75 | 934587 | 9 |
| 919831TKA | 67, 75 | 934588 | 9 |
| 919949TKA | 61 | 934592 | 75 |
| 919950TKA | 61 | 934593 | 75 |
| 919951TKA | 61 | 985772 | 65 |
| 920206TKA | 55 | 985773 | 65 |
| 920243TKA | 75 | 985925 | 59, 73 |
| 920411 | 67, 69 | 986236 | 59 |
| 920416 | 71 | 986518 | 61 |
| 920427 | 65 | 986560 | 59 |
| 920440 | 67, 69, 75 | 987691 | 59 |
| 920722 | 65 | 988242 | 11 |
| 920891 | 61 | 988244 | 65 |
| 921218 | 75 | 989602 | 59 |
| 922228 | 23 | 993685 | 53, 55 |
| 922229 | 15, 19, 25, 27, 31 | | |
| 922332 | 11 | | |
| 922585 | 75 | NSS | 11, 17, 21, 29, 39, 41, 43, |
| 922586 | 75 | | 53, 61, 65 |
| 922775 | 11 | | |
| 922779 | 11 | | |
| 923391 | 17, 23, 29 | | |
| 923547 | 17, 29 | | |
| 923550 | 17, 29 | | |
| 924305 | 75 | | |
| 924724 | 75 | | |
| 925392 | 55, 57, 75 | | |
| 925546 | 39 | | |
| 925660 | 39 | | |
| 925661 | 71, 75 | | |
| 925687 | 71 | | |
| 926814 | 75 | | |
| 926863 | 67 | | |
| 926966 | 13 | | |
| 927559 | 47 | | |

INDEX ALPHABETICAL BY DESCRIPTION



- * ANTENNA, **49**
 - * BEARING - slide, **67**
 - * BLOCK - terminal (4 pole), **43**
 - * BLOCK - terminal (6 pole), **43**
 - ** BOARD - communication (see Service Bulletin C131), **43**
 - * BOX - control, **43**
 - * BRACKET - air vent handle, **67**
 - * BRACKET - cable, **47**
 - * BRACKET - connector, **47**
 - * BRACKET - lock reinforcement, **47**
 - * BRACKET - motor (left), **11**
 - * BRACKET - motor (right), **11**
 - * BRACKET - washer, **47**
 - * BREAKER - circuit (25A), **43**
 - * BREAKER - circuit (adjustable, 25-32A), **43**
 - * CABLE - power (8-4, 14 meter), **51**
 - * CABLE - power (8-4, 20 meter), **51**
 - * CAP - charge port (blue), **29**
 - * CAP - dust, **57**
 - * CAP - fitting, **33, 35, 37**
 - * COIL, **17, 29**
 - * COIL (only), **19, 23, 29, 41**
 - * CONNECTOR - 10-pin (J2 & J17), **47**
 - * CONNECTOR - 6-pin (J9), **47**
 - * CONNECTOR - grip, **51**
 - * CONNECTOR - liquid tite, **43**
 - * CONNECTOR - liquid tite (22.5 mm), **43**
 - * CONNECTOR - liquid tite (28 mm), **43**
 - * CONNECTOR - liquid tite (38 mm), **43**
 - * CONNECTOR - receptacle (5-pin), **57**
 - * CONTACTOR (CI 25), **43**
 - * DISK - air vent, **67**
 - * DISPLAY - LCD, **47**
 - * DOOR - controller (see 235G3 or 259C6), **43**
 - * FITTING - barb, **67**
 - * FITTING - highside, **27**
 - * FLATWASHER, **43, 51**
 - * FUSE & COVER (20A, black fuse), **43**
 - * GASKET - air vent, **67**
 - * GASKET - door, **47**
 - * GASKET - power connector, **35**
 - * HANDLE - air vent, **67**
 - * HARNESS - expansion module, **49**
 - * HINGE, **61**
 - ** HINGE - air vent, **67**
 - * HINGE - top, **47**
 - * INDICATOR - liquid, **15, 27**
 - * INSULATOR - latch, **61**
 - * KEY - fan, **7, 9**
 - * KIT - interlock, **43**
 - * KNOB, **61**
 - * LATCH - door, **61**
 - * LOCKWASHER, **43, 51, 67**
 - * MODULE - power (MP-4000), **43**
 - * MODULE - RMM+ (only), **49**
 - * NAMEPLATE - Air Vent Door, **67**
 - * NAMEPLATE - Do Not Open Below 0 C., **67**
 - * NUT, **43, 61, 67**
 - * NUT - adapter, **15, 27**
 - * NUT - connector, **51**
 - * NUT - wing, **67**
 - * O-RING, **15, 27**
 - * O-RING - plug, **27**
 - * PANEL - USDA receptacle, **57**
 - * PIN - hinge, **47, 61**
 - ** PIN - hinge (w/ snap), **67**
 - * PLATE - air vent (complete), **67**
 - * PLUG, **27, 51**
 - * PLUG - fusible, **15**
 - * PLUG - power (2 pin female, included w/ 42-2680), **39**
 - * PLUG - power (333, included w/ 45-1992), **39**
 - * PLUG - power (4 pin male, included w/ 45-2708), **39**
 - * PLUG - power (60A, orange), **51**
 - * PLUG - power (634 MP4, included w/ 45-2143), **39**
 - * POCKET - sensor, **61**
 - ** PROTECTOR - edge, **67**
 - * RAIL - din, **43**
 - * RECEPTACLE - power, **51**
 - * RECEPTACLE (3-pin), **57**
 - * RIVET, **61**
 - * RIVET - cap, **57**
 - * RIVET - receptacle, **57**
 - * RIVET (3 X 10 mm), **47**
 - * RIVET (3 X 8 mm), **47**
 - * SCREW, **43, 47**
 - * SCREW - door, **61**
 - * SCREW - ground, **35**
 - * SCREW - handle, **67**
 - * SCREW - plate to frame, **67**
 - * SCREW - receptacle, **51**
 - * SEALER - silicone pack, **35**
 - * SHROUD - fan, **17**
 - * SPRING, **61, 67**
 - * STRAP - cap, **57**
 - * STUD, **43**
 - * TERMINAL - pin, **39**
 - * TRANSFORMER, **43**
 - * TUBE - receiver to condenser, **15, 27**
 - * TUBE - receiver to dehydrator, **15, 27**
 - * VALVE - expansion (economizer), **17, 21, 29**
 - * WASHER, **61, 67**
 - * WASHER - ground, **35**
 - * WASHER - nylon, **67**
- ## A
- ACTUATOR, **71**
 - ADAPTER, **23, 29**
 - ADAPTER - 9-pin D PC to PC card (see service bulletin C061), **53**
 - ADAPTER - compressor, **15, 21, 27**
 - ADAPTER - high side, **35**
 - ADAPTER - hose, **69**
 - ADAPTER - low side, **37**
 - ADAPTER - serial port to USB, **53**
- ## B
- BANDWRAP, **73**
 - BASE - control box (mP-4000), **43**
 - BEARING, **71**
 - BOX - control (see 235G2), **41**
 - BRACKET - air vent, **71**
 - BRACKET - air vent handle, **69**
 - BRACKET - cable restraint, **39**
 - BRACKET - condenser coil, **9**
 - BRACKET - frame, **59**
 - BRACKET - GPS (for COCL), **43**
 - BRACKET - grille, **71**
 - BRACKET - handle, **69**
 - BRACKET - heat exchanger, **17, 23, 29**
 - BRACKET - heater (center, 13.6/347 long, MAGNUM SL), **63**
 - BRACKET - heater (center, 15.4/404 long, MAGNUM), **63**

INDEX ALPHABETICAL BY DESCRIPTION



- BRACKET - heater (center), **63**
 BRACKET - heater (ends, 12.8/326 long, MAGNUM SL), **63**
 BRACKET - heater (ends, 13.8/350 long, MAGNUM), **63**
 BRACKET - heater (holddown), **63**
 BRACKET - heater (lead end), **63**
 BRACKET - heater (spring end), **63**
 BRACKET - motor, **11**
 BRACKET - power cable (10/4 cable), **39**
 BRACKET - rear, **71**
 BRACKET - safety hook, **61**
 BREAKER, **45**
- C**
- CABLE - compressor, **41**
 CABLE - connection, **41**
 CABLE - data (15-pin D connector, 9-pin D PC, 20 ft), **53**
 CABLE - data (15-pin D connector, 9-pin D PC, 50 ft), **53**
 CABLE - data (5-pin bayonet to 15-pin D connectors), **53**
 CABLE - data (5-pin threaded to 15-pin D), **53**
 CABLE - data (5-pin to 15-pin D connectors), **53**
 CABLE - download (5 pin to Serial), **53**
 CABLE - download (9 pin to 5 pin), **53**
 CABLE - NTC, **57**
 CABLE - power (19.2 meters 10/4 with 634 MP4 plug), **39**
 CABLE - power (19.2 meters 11/4 with 333 plug), **39**
 CABLE - power (19.8 meters 11/5 with 4 pin male plug), **39**
 CABLE - power (22.8 meters 11/4 with 634 MP4 plug), **39**
 CABLE - power (3 meters 16/3 with 2 pin female plug), **39**
 CABLE - retriever, **47**
 CABLE - serial (cargo), **47**
 CABLE - serial (CM-4000 to PM-4000), **47**
 CABLE - supply, **41**
 CABLE - supply (RS 485), **13, 41**
 CABLE - NTC, **55**
 CABLE (11/4, 1000 ft roll), **39**
 CABLE (11/4, 250 ft roll), **39**
 CAP - dust, **47, 55**
 CAP - dust (5-pin Deutsch), **53**
 CAP - dust (5-pin), **53**
 CAP - dust (rubber), **55**
 CAP - dust cover, **33**
 CAP - fitting, **15**
 CAP - screw, **11**
 CAP - tamper evident (optional), **37**
 CHAIN - cap, **53, 55**
 CHANNEL - air, **65**
 CHANNEL - fresh air, **65**
 CHANNEL - Z (100 mm deep), **65**
 CLAMP - dehydrator, **21, 27**
 CLAMP - dehydrator (metal), **15**
 CLAMP - dehydrator (plastic), **17**
 CLAMP - tube, **15, 17, 19, 25, 27, 29, 31, 33**
 CLAMP - tube (1/2), **19**
 CLAMP - tube (3/8), **19**
 CLAMP - valve, **23**
 COIL - condenser (aluminum fins), **7, 15, 21**
 COIL - condenser (copper fins), **7, 15, 21**
 COIL - condenser (deep freeze units only), **7**
 COIL - condenser (micro channel), **9, 27**
 COIL - evaporator (11.3/286 wide, MAGNUM SL-20, see 183B6), **23**
 COIL - evaporator (13.0/330 wide, MAGNUM SL-40, see 183B4), **23**
 COIL - evaporator (14.7/374 wide see evaporator fan group), **23**
 COIL - evaporator (14.7/374 wide, see 235E9), **19**
 COIL - evaporator (14.7/374 wide), **31**
 COIL - evaporator (see Refrigeration Group), **11**
 COIL - valve, **17, 21, 29, 41**
 COMPRESSOR - scroll, **35**
 COMPRESSOR - scroll (see 180E1), **21, 2**
 COMPRESSOR - scroll (see 259C5), **15, 39**
 CONNECTOR - 10-pin (J2 & J17), **49**
 CONNECTOR - 17-pin (J3), **49**
 CONNECTOR - 4-pin (J12), **49**
 CONNECTOR - 6-pin (J34), **49**
 CONNECTOR - 8-pin (digital humidity sensor, com 2, J28), **49**
 CONNECTOR - 8-pin (J28), **49**
 CONNECTOR - 8-pin (J4), **47**
 CONNECTOR - 9-pin (J1), **49**
 CONNECTOR - harness & sensor, **11**
 CONNECTOR - liquid tite, **41**
 CONNECTOR - plug (12-pin), **55**
 CONNECTOR - plug (8-pin), **57**
 CONNECTOR - receptacle (5-pin), **55**
 CONTROLLER (MP-4000), **47**
 COUPLING - outlet, **33**
 COVER - terminal box, **35**
 COVER - tube, **11**
 COVER (instead of thermometer), **59**
- D**
- DEHYDRATOR, **15, 21, 27**
 DEVICE - door position sensor, **69**
 DISK - air vent, **69**
 DOOR - AFAM, **71**
 DOOR - evaporator, **61**
 DOOR - evaporator (bolt-on door), **59**
 DOOR - front (mP-4000, includes keypad & display), **47**
- F**
- FAN - condenser, **7, 9**
 FAN - evaporator (14 in, 355 mm dia), **11**
 FITTING - discharge, **15**
 FITTING - high side, **33**
 FITTING - highside, **35**
 FITTING - low side, **29, 37**
 FLATWASHER, **7, 9, 11, 17, 19, 21, 23, 25, 31, 33, 39, 55, 59, 61, 69, 71, 73**
 FLATWASHER - clamp, **15, 27**

INDEX ALPHABETICAL BY DESCRIPTION



FLATWASHER - dehydrator, **17**
 FLATWASHER (12 mm), **35**
 FLATWASHER (13 mm), **35**
 FLATWASHER (M6), **59**
 FLATWASHER (M8), **59**
 FRAME - condenser, **61**

G

GASKET, **71**
 GASKET - air vent, **63, 71**
 GASKET - coil, **9**
 GASKET - door, **61**
 GASKET - evaporator door, **59**
 GASKET - grille (extrusion), **73**
 GASKET - rubber extrusion, **59**
 GASKET - unit, **61**
 GASKET - valve (service), **35**
 GASKET (10 x 15 mm), **7**
 GPS MODEM & ANTENNA
 (for OOC), not supplied by
 Thermo King), **43**
 GRILLE - condenser, **73**
 GRILLE - condenser (see
 139C4), **59**
 GRILLE - condenser w/
 micro channel coil, **59**
 GRILLE - evaporator, **65**
 GRILLE - fresh air, **71**
 GRIP - cable, **7, 9**
 GROMMET, **7, 9, 11**
 GROMMET (1.180 in), **11**
 GROMMET (29 mm), **11**

H

HANDLE - air vent, **69**
 HARNESS - condenser fan, **7, 9**
 HARNESS - condenser fan
 (see 235E8), **39**
 HARNESS - evaporator fan
 (w/ analog humidity sensor), **11,**
39
 HARNESS - evaporator fan
 (w/ digital humidity sensor), **11,**
39
 HARNESS - humidity
 sensor, **13, 41**
 HEAT EXCHANGER -
 economizer, **17, 21, 29**
 HEATER (1360W, 18 ga
 leads), **63**
 HEATER (2000W, 16 ga
 leads), **63**
 HEATER (680W, 2 meter
 leads), **63**

HEATER GROUP (see grid
 259A4), **39**
 HINGE - air vent, **69**
 HOSE - drain (21 mm id, cut
 as required), **73**
 HOSE - drain (29 mm id, cut
 as required), **73**
 HOUSING - evaporator (12
 in, 312 mm dia), **11**
 HOUSING - relief valve, **61**

I

INDICATOR, **33**
 INLET - fresh air, **65**
 INSERT, **9**
 INSULATION, **29**
 INSULATION - coil, **11, 13**
 INSULATION - heat
 exchanger, **17, 29**
 INSULATION - mylar, **17**
 INSULATION - tube (14.1 in
 lg), **19, 31**
 INSULATION - tube (42.1 in
 lg), **17, 29**
 INSULATION - tube (cut to
 24.5 in lg), **17, 29**
 INSULATOR, **9**

K

KIT - Cable Splice, **39**
 KIT - condenser coil stud
 (set of three), **7, 19, 25**
 KIT - gasket & grease, **35**
 KIT - power cord, **35**
 KIT - RMM+ module
 (optional), **45, 49**
 KIT - thermistor, **35, 41**
 KIT - TXV (economizer,
 includes tube, valve and
 bulb), **21, 29**
 KIT - TXV expansion valve
 (includes tube, valve and
 bulb), **17**
 KIT, CO2/ O2 RS485 sensor, **41**

L

LABEL - AFAM door position, **71**
 LOCKWASHER, **7, 9, 11, 27,**
33, 35, 39, 69

M

MODULE - 4 pole
 monitoring, **49**
 MODULE - AFAM+, **49**
 MODULE - battery, **47**
 MODULE - blanking, **47**
 MOTOR - condenser fan
 (0.75 hp), **7, 9**
 MOTOR - condenser fan
 (see 235E8), **39**
 MOTOR - evaporator fan
 (see 235E9 or 247C5), **39**
 MOTOR - fan, **11**
 MOUNT - epdm, **9**

N

NAMEPLATE - AFAM +, **75**
 NAMEPLATE - AFAM Door
 Position, **75**
 NAMEPLATE - Air Vent, **75**
 NAMEPLATE - Air Vent Door, **75**
 NAMEPLATE - Air Vent
 Handle, **75**
 NAMEPLATE - Data A3, **75**
 NAMEPLATE - data
 download USDA, **55, 57**
 NAMEPLATE - Do Not Open
 Below 0 C, **69**
 NAMEPLATE - IR logo (red/
 black), **75**
 NAMEPLATE - mP 4000, **43**
 NAMEPLATE - mP-4000, **47**
 NAMEPLATE - R404A, **75**
 NAMEPLATE - Scrubber A5, **75**
 NAMEPLATE - SeaCube, **75**
 NAMEPLATE - TAL, **75**
 NAMEPLATE - Temperature
 Conversion, **75**
 NAMEPLATE - Thermo King, **75**
 NAMEPLATE - TK, **59**
 NAMEPLATE - TK (crest), **75**
 NAMEPLATE - USDA
 Connections, **75**
 NAMEPLATE - Warning, **75**
 NAMEPLATE - Warning
 English, **75**
 NAMEPLATE - Warning,
 Fan Start, **75**
 NAMEPLATE - Warning, Hot
 Components, **75**
 NAMEPLATE - Warning,
 Low Oxygen, **75**
 NAMEPLATE - Warning,
 Scroll Compressor, **75**
 NAMEPLATE - Weld, **75**

INDEX ALPHABETICAL BY DESCRIPTION



NUT, **7, 9, 11, 15, 17, 21, 29, 35, 59, 69**
 NUT - adapter, **17, 27**
 NUT - clamp, **15**
 NUT - o-ring seal, **17, 23, 29**
 NUT - receiver tank, **15**
 NUT - wing, **69**

O

O-RING, **19, 33**
 O-RING - suction, **35**
 O-RING (#8), **23, 31**
 OIL - compressor (1L), **35**

P

PANEL - USDA receptacle (see 235G4 or 247C9), **41, 65**
 PANEL - USDA receptacle (steel), **55**
 PANEL ASSEMBLY - USDA receptacle (plastic), **57**
 PIN - clevis, **71**
 PIN - cotter, **71**
 PIN - hinge, **69, 71**
 PLATE - air vent, **69**
 PLATE - cable storage (units w/ water cooled cond), **59**
 PLATE - cable storage (units w/o water cooled cond), **59**
 PLATE - cover, **65**
 PLATE - guard, **59**
 PLATE - rear (bottom), **65**
 PLATE - rear (top), **65**
 PLUG - analog 1 J4 (mP-4000), **47**
 PLUG - analog 2 J1 (mP-4000), **47**
 PLUG - analog 3 J3 (mP-4000), **47**
 PLUG - COM & J28 (mP-4000), **47**
 PLUG - fusible, **33**
 PLUG - outlet, **33**
 PORT - injection (optional), **61**
 PROTECTOR - edge, **69**

R

RAIL - din, **45**
 RECEPTACLE (4-pin), **55**
 RIVET - cap, **55**
 RIVET - channel, **65**
 RIVET - channels and plate, **65**

RIVET - grille, **65**
 RIVET - housing, **11, 61**
 RIVET - plate, **65**
 RIVET - port, **61**
 RIVET - receptacle, **55**

S

SCREEN - Med fly (1.3 x 1.3 mm opening), **67**
 SCREEN - Med fly (3 x 3 mm opening), **67**
 SCREW - bracket, **9, 11, 23, 39, 43, 59, 61, 63, 71**
 SCREW - clamp, **15, 17, 19, 21, 23, 25, 27, 29, 31, 33**
 SCREW - clamp (50 mm), **19**
 SCREW - clamp (65 mm), **19**
 SCREW - coil, **7, 9, 11**
 SCREW - compressor, **35**
 SCREW - cover, **59**
 SCREW - dehydrator, **15**
 SCREW - discharge valve, **35**
 SCREW - disk, **69**
 SCREW - door (M6, TIR seal), **59**
 SCREW - door (M8, TIR seal), **59**
 SCREW - flange, **35**
 SCREW - grille, **59, 71, 73**
 SCREW - handle, **69**
 SCREW - motor, **7, 9, 11**
 SCREW - plate, **59, 65, 69**
 SCREW - receiver tank, **27**
 SCREW - screen, **67**
 SCREW - tank, **33**
 SCREW - vent hinge, **69**
 SEAL (PTFE), **15, 21, 27**
 SEALER - locking, **33**
 SEALER - thread, **33**
 SEALER - thread (red), **35, 37**
 SENSOR - CO2 (RS485, sensor only), **41**
 SENSOR - humidity, **13, 41**
 SENSOR - humidity (for OOCL, not supplied by Thermo King), **41**
 SENSOR - humidity (RS 485, mP 4000 only, see note), **13, 41**
 SENSOR - kit (defrost, ambient, air return, supply & coil), **39**
 SENSOR - temperature (for OOCL, not supplied by Thermo King), **41**

SENSOR - temp condenser, **9**
 SENSOR - thermistor (2.0 dia probe, 4-pin, 14 m PT100, USDA), **55**
 SENSOR - thermistor (3-pin, 14 m NTC, USDA), **57**
 SHOULDER - o-ring seal, **17, 23, 29**
 SPACER, **19, 25, 31**
 SPACER - clamp, **23, 27, 31**
 SPACER - compressor, **15, 27**
 SPACER (1/03 - 3/10, height - 17.4, dia 34.3), **35**
 SPACER (18 mm), **19**
 SPACER (3/10 & after, height - 17.9, dia 34.3), **35**
 SPRING, **69**
 SPRING - heater, **63**
 STRAP - cap, **47**
 SWITCH - hpc, **19, 31, 35, 39**
 SWITCH - lpc, **19, 23, 31**

T

TANK - receiver, **27**
 TANK - receiver (includes items), **15**
 TANK - water cooled condenser, **33**
 TANK - water cooled condenser (see 154E13), **21**
 TEE, **17, 19, 21, 23, 29, 31**
 TEE - drain hose, **73**
 TOOL - tester (mP-4000), **47**
 TRANSDUCER - discharge (500 psi), **25**
 TRANSDUCER - suction, **23, 41**
 TRANSFORMER (w/ 8-4, 20 meter cable), **51**
 TRIM - edge guard, **11**
 TUBE - coil to dehydrator (units w/o WCC), **23**
 TUBE - condenser to condenser, **21, 33**
 TUBE - condenser to filter, **33**
 TUBE - condenser to tee, **21**
 TUBE - equalizer, **19, 23, 31**
 TUBE - exchanger to coil (#2), **19, 23, 31**
 TUBE - expansion valve to exchanger, **21, 29**
 TUBE - expansion valve to tee, **19, 23, 31**
 TUBE - filter, **17, 21, 27**
 TUBE - filter to tee, **17, 27**

INDEX ALPHABETICAL BY DESCRIPTION



TUBE - heat exchanger to evaporator, **19, 23, 31**
 TUBE - liquid injection, **17, 21, 29**
 TUBE - receiver to dehydrator, **15, 27**
 TUBE - stub (1.88 lg), **33**
 TUBE - stub (2.25 lg), **33**
 TUBE - suction, **17, 29**
 TUBE - suction (4/05 & after), **23**
 TUBE - suction (before 4/05), **23**
 TUBE - suction to ball valve, **19, 23, 29**
 TUBE - tee to distributor, **19, 23, 31**
 TUBE - tee to exchanger, **17, 21, 29**
 TUBE - tee to valve, **17, 21, 29**
 TUBE - tx bulb (included with item 25), **17, 29**
 TUBE - valve to coil, **15, 21, 27**
 TUBE - valve to compressor, **21**
 TUBE - valve to dehydrator, **21, 33**
 TUBE (0.500 od x 1.880 lg cu), **21**
 TUBE (0.500 od x 2.250 lg cu), **21**
 TUBE & VALVE - vacuum, **61**

V

VALVE, **19**
 VALVE - ball, **19, 21, 23, 29, 33**
 VALVE - digital (see 235E0 or 247C0), **41**
 VALVE - discharge, **35**
 VALVE - expansion, **19, 23, 31**
 VALVE - pressure relief, **61**
 VALVE - solenoid (vapor injection), **17, 21, 29**
 VALVE - suction, **35**
 VALVE - vacuum, **61**
 VALVE - vapor injection (see 235E0 or 247C0), **41**
 VALVE (PWM), **19, 23, 29**
 VENT - air (complete), **67**

W

WASHER, **9, 17, 31**
 WASHER - insulating, **15, 23, 27, 43, 65, 69**
 WASHER - insulation, **59, 69**
 WASHER - insulator, **39, 71**

WASHER - insulator (8.4 id), **69**
 WASHER - sealing, **35**
 WASHER - vibration damper, **35**
 WASHER (M6, nylon), **59**
 WASHER (M8, nylon), **59**
 WASHER (nylon), **7, 9, 19, 59, 61, 69, 73**



Website: www.transicold.net
Email: sales@tktransicold.com

Website: www.transicold.net
Email: sales@tktransicold.com

Website: www.transicold.net
Email: sales@tktransicold.com

Website: www.transicold.net
Email: sales@tktransicold.com



Website: www.transicold.net
Email: sales@tktransicold.com

Website: www.transicold.net
Email: sales@tktransicold.com

Website: www.transicold.net
Email: sales@tktransicold.com

Website: www.transicold.net
Email: sales@tktransicold.com

Thermo King – by Trane Technologies (NYSE: TT), a global climate innovator – is a worldwide leader in sustainable transport temperature control solutions. Thermo King has been providing transport temperature control solutions for a variety of applications, including trailers, truck bodies, buses, air, shipboard containers and railway cars since 1938. For more information, visit www.thermoking.com or www.tranetechnologies.com

Thermo King has a policy of continuous product and data improvements and reserves the right to change design and specifications without notice. We are committed to using environmentally conscious print practices.



Parts Manual



SGCO 3000

TK 53717-4-PM (Rev. 8-4-17)



Website: www.transicold.net
Email: sales@tktransicold.com

Website: www.transicold.net
Email: sales@tktransicold.com

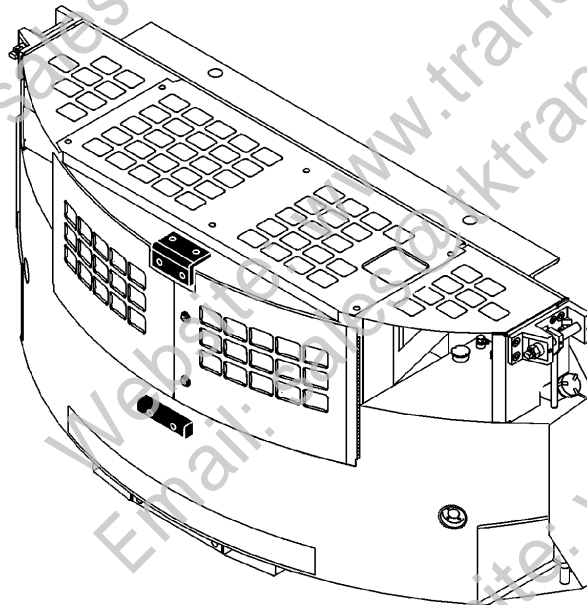
Website: www.transicold.net
Email: sales@tktransicold.com

Website: www.transicold.net
Email: sales@tktransicold.com



SGCO 3000

53717



Printed (August 4, 2017)

Copyright © 09/06/16 – Thermo King Corp. - Minneapolis, MN U.S.A.
Printed in the U.S.A.

General Information

Table of Contents

This Parts Manual contains a numerical table of contents listing each assembly name, its associated Grid number and page number. The numerical table of contents is arranged numerically by Grid number. There are references in a parts list referring to other Grid numbers; the numerical table of contents is arranged to facilitate finding the referenced illustrations.

Contact Information

Customer Service:

844-TKCOLDE (844-852-6533)

Dealer Locator:

<http://dealers.thermoking.com/dealer-locator.html>

Assemblies and Subassemblies

When parts are indented in the description preceded with an asterisk (*). This indicates it is available separately or included in an



GRID NO. 67D6

SWITCH PANEL ASSEMBLY

| REF | PART NO. | DESCRIPTION | QTY |
|-----|----------|----------------------|-----|
| | 451239 | PANEL - assy, switch | 1 |
| 1 | 991960 | *PANEL | 1 |
| | 996280 | **NAMEPLATE - panelx | 1 |
| 2 | 330743 | *GASKET | 1 |

For example: The Switch Panel Nameplate (996280) is available separately, available as part of the Switch Panel (991960) and with the Panel Assembly (451239).

ABBREVIATIONS:

The following abbreviations appear in Parts Manuals.

| | | |
|---|--|--|
| A AC alternating current | ext external | pkg package |
| A/R as required | F F Fahrenheit | ph phase |
| accum accumulator | fill fillister | pos positive |
| adj adjusting | fi fuel injection | psi pounds per square inch |
| al aluminum | fl flare | R rad radiator |
| alt alternator | fpt female pipe thread | rcvr receiver |
| A or amp ampere | ft feet | ref reference |
| assy assembly | ftg fitting | reg regulator |
| ASQ Ask for Quote | G gal gallon | req required |
| B bd board | H hex hexagon | rpm revolutions per minute |
| brg bearing | hh hexagon head | S sec second |
| brkr breaker | hd head | slid solder |
| brkt bracket | hp horsepower | soc hd socket head |
| C C Celsius | hsg housing | sol solenoid |
| cw clockwise | I id inside diameter | spl special |
| ccw counter-clockwise | in inch (2.54 cm) | sq square |
| cam camshaft | incl includes | ss stainless steel |
| cm centimeters | inj injection | std standard |
| compr compressor | int internal | stl steel |
| cond condenser | int th internal tooth | suct suction |
| conn connector | K kvw KiloWatt | sw switch |
| cyl cylinder | L l Liter (Litre) | T TBD To Be Determined |
| D def defrost | liq liquid | term terminal |
| deg degree | lg long | temp temperature |
| dehyd dehydrator | M M Meter (Metre) | thk thick |
| dia diameter | mm Millimeter (Millimetre) | TSA Transport Solutions Americas |
| DC direct current | mpt male pipe thread | U us undersize |
| disc discharge | mod modulating | V vib vibrasorber |
| diff differential | N neg negative | V Volt |
| E EMI Extended | No number | W W watt |
| Maintenance Interval | NS not supplied | w/ with |
| EMEIA Europe, Middle East, India and Africa | NSS not sold separately | w/o without |
| eng engine | O os oversized | |
| exch exchanger | od outside diameter | |
| exp expansion | ors o-ring seal | |
| | P pcb printed circuit board | |



SGCO 3000

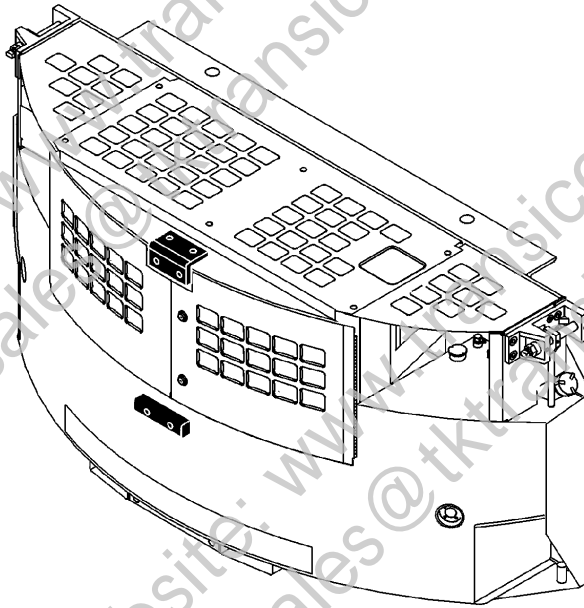
Contents

| Grid Name | Grid | Page |
|--|--------------|------|
| SGCO 3000 REFERENCE SHEET | 12U34 | 4 |
| ENGINE ASSEMBLY | 267C9 | 6 |
| CYLINDER BLOCK GROUP (TK486 series) | 236E0 | 8 |
| CYLINDER HEAD & VALVE COVER (TK486 series) | 204F5 | 10 |
| GEAR CASE GROUP (TK486 series) | 204F2 | 14 |
| FLYWHEEL HOUSING GROUP (TK486 series) | 204F3 | 16 |
| OIL SUMP GROUP (TK486 series) | 204F4 | 18 |
| CRANKSHAFT & PISTON GROUP (TK486 series) | 204F6 | 20 |
| INTAKE & EXHAUST MANIFOLD (TK486 series) | 204F7 | 22 |
| CAMSHAFT & DRIVE GEAR GROUP (TK486 series) | 204F8 | 24 |
| OIL FILTER & PUMP GROUP (TK486 series) | 204F9 | 26 |
| WATER PUMP ASSEMBLY (TK486 series) | 204F0 | 30 |
| FUEL INJECTION GROUP (TK486 series) | 204G1 | 32 |
| FUEL INJECTION PUMP GROUP (TK486 series, 2200 RPM) | 204G2 | 34 |
| FUEL PUMP ASSEMBLY (TK486 series) | 142F8 | 38 |
| FUEL INJECTION NOZZLE (TK486 series) | 204G5 | 42 |
| STARTER ASSEMBLY 12 VOLT (TK486 series) | 204G3 | 44 |
| GASKET SET (TK486 series) | 204G4 | 46 |
| FUEL FILTER & HOSES | 222G8 | 50 |
| FUEL TANK GROUP (SGCO) | 130G3 | 54 |
| AIR CLEANER GROUP | 208C6 | 56 |
| THROTTLE SOLENOID GROUP (TK486 series) | 201E6 | 58 |
| MUFFLER GROUP | 158B9 | 60 |
| ENGINE COOLING SYSTEM | 223G8 | 62 |
| CAP & CHAIN (overflow tank) | 119E11 | 66 |
| BELT, PULLEYS & FAN | 208C7 | 68 |
| ENGINE MOUNTING | 209C3 | 70 |
| ENGINE ELECTRICAL COMPONENTS | 209C4 | 72 |
| CONTROL BOX SG+ 3000 | 222G7 | 74 |
| COMPOSITE MODULE (OPTIONAL) | 271C6 | 78 |
| DOWNLOAD CABLES | 226E2 | 80 |
| DEUTSCH IN-LINE CONNECTORS | 112D9 | 82 |
| BATTERY & CABLE GROUP | 208C9 | 86 |
| ALTERNATOR GROUP | 222D1 | 88 |
| STRUCTURAL COMPONENTS | 223C4 | 90 |
| TOP COVERS | 261H8 | 94 |
| STRUCTURAL COMPONENTS (REAR VIEW) | 158C5 | 96 |
| UNIT MOUNTING BRACKET | 223G6 | 98 |
| UNIT MOUNTING BRACKET | 105C8 | 100 |
| NAMEPLATES | 208C5 | 102 |
| NAMEPLATES | 158H4 | 106 |

12U34



SGCO 3000 REFERENCE SHEET



Revised
07/12/17

SGCO 3000 REFERENCE SHEET

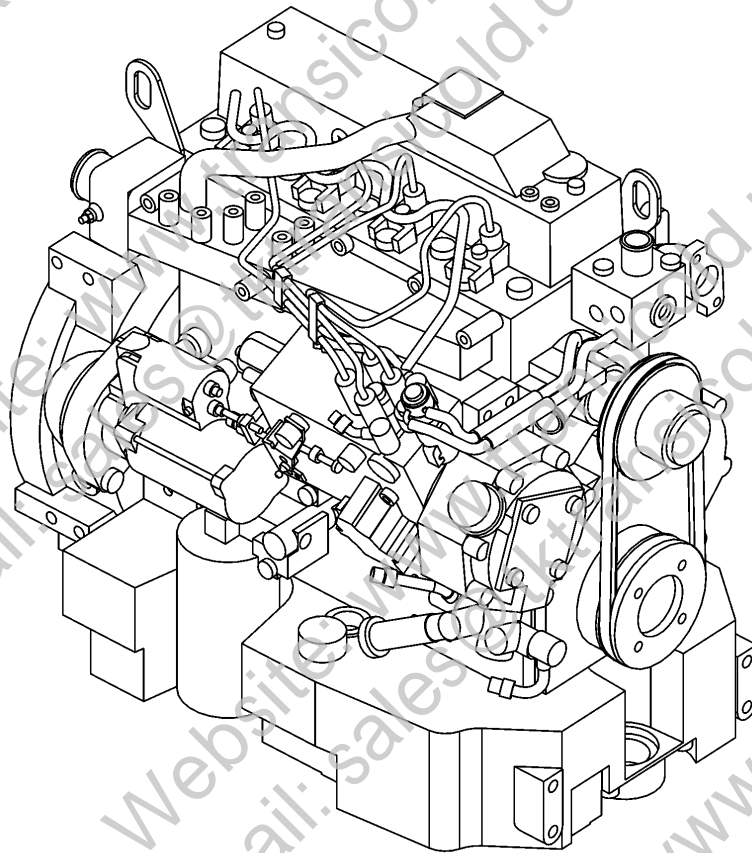


| B/M | DESCRIPTION |
|--------|------------------------------|
| 718202 | SGCO 3000 |
| 062341 | SGCO 3000 |
| 062002 | Battery |
| 062007 | Controller SG+ 3000 |
| 062015 | Large Document Holder |
| 062017 | One Piece Top Panel |
| 062024 | Tamper Evident Fuel Cap |
| 062036 | Anti-Theft Option |
| 062045 | Nameplates - HAMBURG SUD |
| 062048 | Nameplates - CNIU |
| 062049 | Electric Fuel Heater |
| 062055 | Throttle Solenoid ECOPower |
| 062075 | Fuel Strainer |
| 062083 | Electric Fuel Heater (11/12) |
| 062097 | Throttle Solenoid ECOPower + |
| 062246 | Nameplates - APL/APMG |
| 062255 | Nameplates - TAL |
| 062256 | Nameplates - FLEXI-VAN |
| 062257 | Nameplates - OOCL |
| 062277 | Nameplates - CROWLEY |
| 062278 | Nameplates - TRITON |
| 062282 | Nameplates - GENSTAR |
| 062294 | 230V |
| 062312 | Clip-On Header Pin Option |
| 062316 | Nameplates - HMM |
| 062321 | Nameplates - HAPAG |
| 062323 | Nameplates - YMLG |

267C9

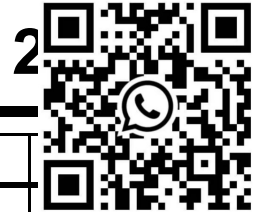


ENGINE ASSEMBLY



Revised
09/21/16

ENGINE ASSEMBLY



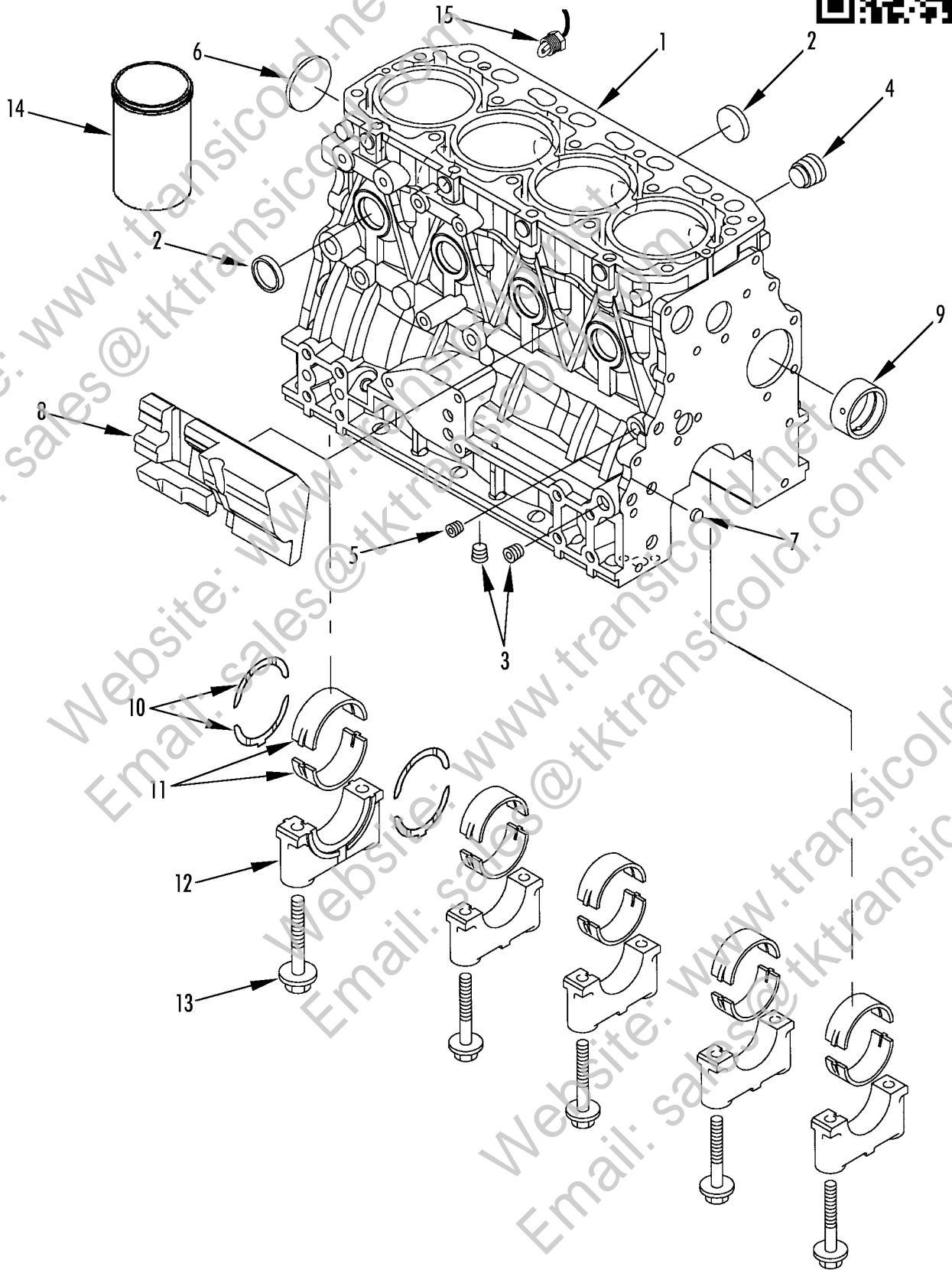
| REF | PART NO. | DESCRIPTION | |
|-----|----------|--|---|
| | 8101381 | ENGINE - TK486VG2 (new exchange, 12V, 2200 rpm) | |
| | 8101398 | ENGINE (TK486V, interim TIER 4 compliant, 12V, 2200 rpm, new exchange) | 1 |
| | 8101394 | ENGINE (TK486E, new exchange) | 1 |

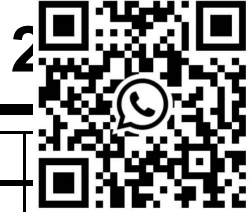
Website: www.transicold.net
 Email: sales@tktransicold.com

236E0



CYLINDER BLOCK GROUP (TK486 se



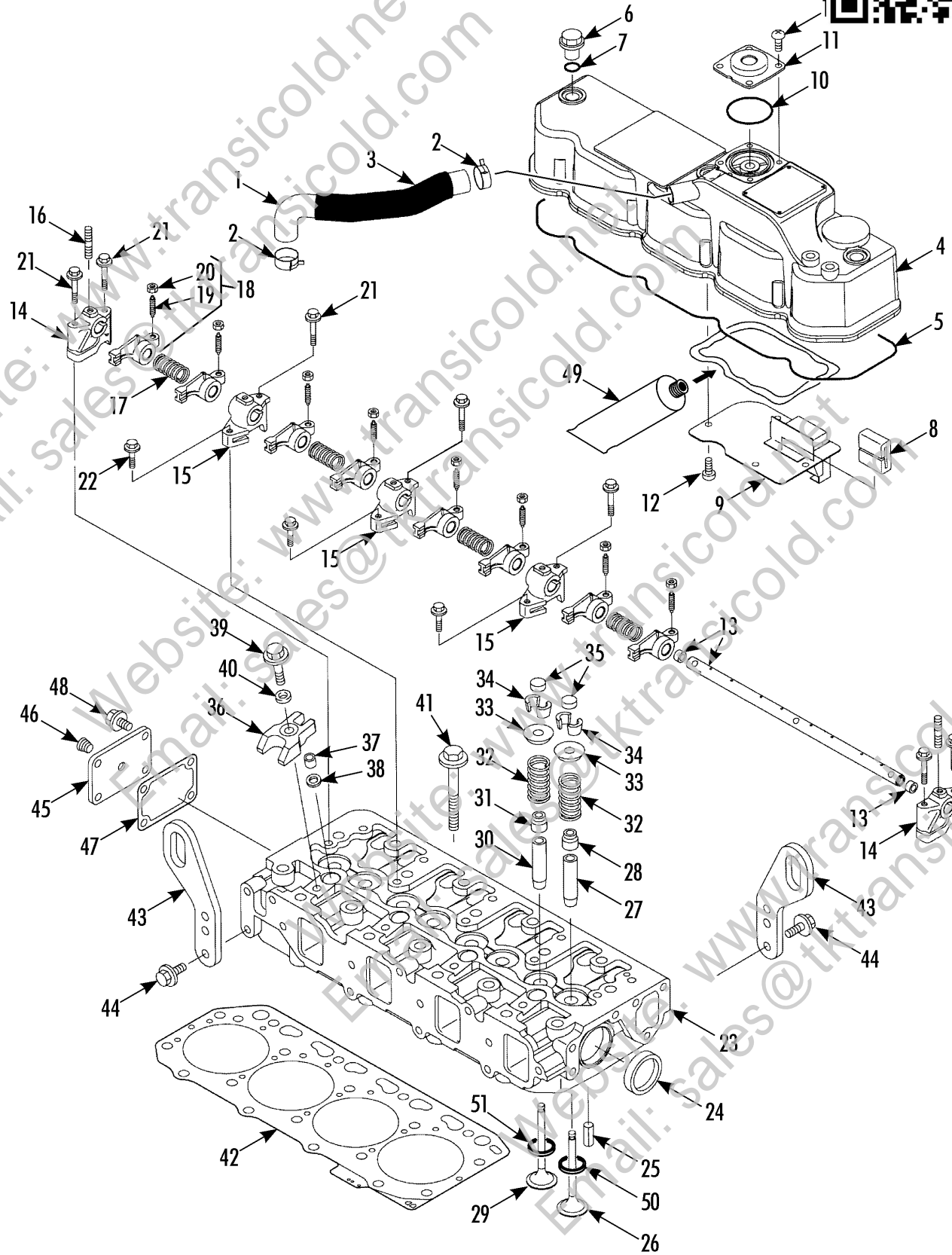
Revised
06/04/15**CYLINDER BLOCK GROUP (TK486 series)**

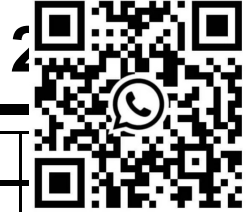
| REF | PART NO. | DESCRIPTION | |
|-----|-----------|---|----|
| | 8101381 | ENGINE - TK486VG2 (new exchange, 12V, 2200 rpm) | |
| 1 | NSS | * BLOCK - cylinder | 1 |
| 2 | 115499 | * PLUG - frost (30 mm) | 8 |
| 3 | 556176TKA | * PLUG - pipe (1/4) | 3 |
| 4 | 556229 | * PLUG | 1 |
| 5 | 554593 | * PLUG - pipe (1/8) | 1 |
| 6 | 511188 | * PLUG - frost (50 mm) | 1 |
| 7 | 116555 | * PLUG - frost (12 mm) | 2 |
| 8 | 130318 | * SPACER | 1 |
| 9 | 130926 | * BUSHING - camshaft | 1 |
| 10 | 130927 | * BEARING - thrust (std) | 2 |
| | 130928TKA | * BEARING - thrust (0.25 mm os) | 2 |
| 11 | 130920TKA | * BEARING - main | 5 |
| | 130921 | * BEARING - main (0.25 mm us) | 5 |
| 12 | NSS | * CAP - bearing | 4 |
| 13 | 558852 | * BOLT - bearing cap | 10 |
| 14 | 118919 | LINER - service | 4 |
| 15 | 412317 | HEATER - frost plug | 1 |

204F5



CYLINDER HEAD & VALVE COVER (T series)



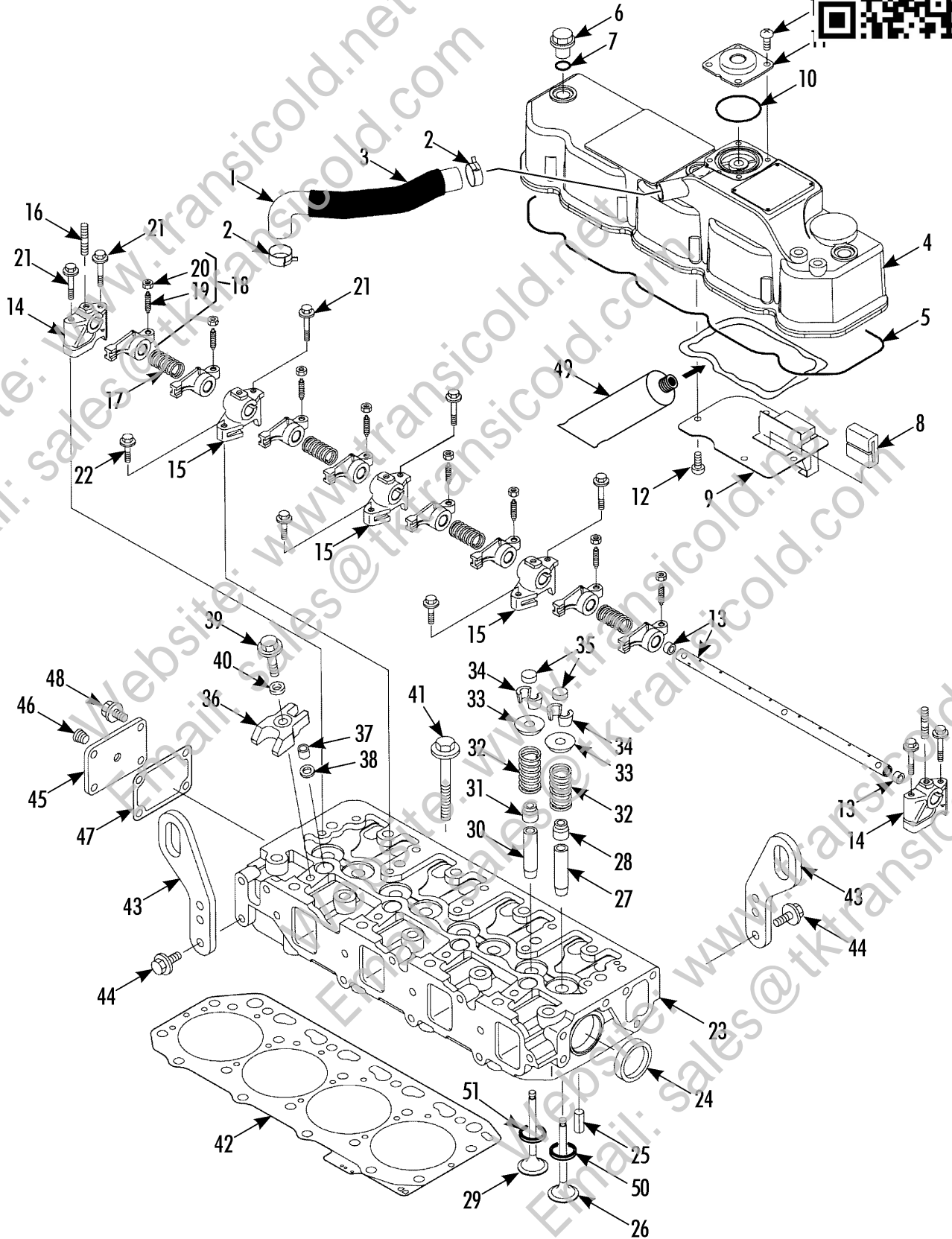
Revised
07/25/17**CYLINDER HEAD & VALVE COVER (TK486
series)**

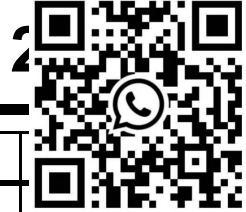
| REF | PART NO. | DESCRIPTION | |
|-----|-----------|---|---|
| 1 | 130344 | PIPE - breather | |
| 2 | 558442 | * CLAMP - hose (24) | 2 |
| 3 | 913542 | TUBE - sponge (insulation, cut to 11.0 in lg) | 1 |
| 4 | 130337 | COVER - valve | 1 |
| 5 | 130340 | * GASKET - valve cover | 1 |
| 6 | 115103 | * KNOB - valve cover | 3 |
| 7 | 333512 | * O-RING - cover | 3 |
| 8 | 118671 | * BAFFLE - breather | 1 |
| 9 | 130338 | * PLATE - baffle | 1 |
| 10 | 332762TKA | * O-RING | 1 |
| 11 | 130339 | * COVER - breather | 1 |
| 12 | 510598TKA | * SCREW - cover | 8 |
| 13 | 130332TKA | SHAFT - rocker arm | 1 |
| | 130335 | * SHAFT - rocker arm | 1 |
| 14 | 130333 | * SUPPORT - rocker arm | 2 |
| 15 | 130334 | * SUPPORT - rocker arm | 3 |
| 16 | 556245 | * STUD - valve cover | 3 |
| 17 | 116704 | * SPRING | 4 |
| 18 | 130336 | * ARM - rocker | 8 |
| 19 | 558859 | ** SCREW - valve adjust | 8 |
| 20 | 558860 | ** NUT | 8 |
| 21 | 556193 | SCREW - support (50 mm) | 7 |
| 22 | 556246 | SCREW - support (25 mm) | 3 |
| 23 | 121092 | HEAD - cylinder | 1 |
| 24 | 116567 | * PLUG - frost (40 mm) | 1 |
| 25 | 555803 | * PIN - spring | 2 |
| 26 | 130932 | * VALVE - intake | 4 |
| 27 | 118928 | * GUIDE - valve (intake) | 4 |
| 28 | 118935 | * SEAL - valve stem (intake) | 4 |
| 29 | 130659 | * VALVE - exhaust | 4 |

204F5



CYLINDER HEAD & VALVE COVER (T series)



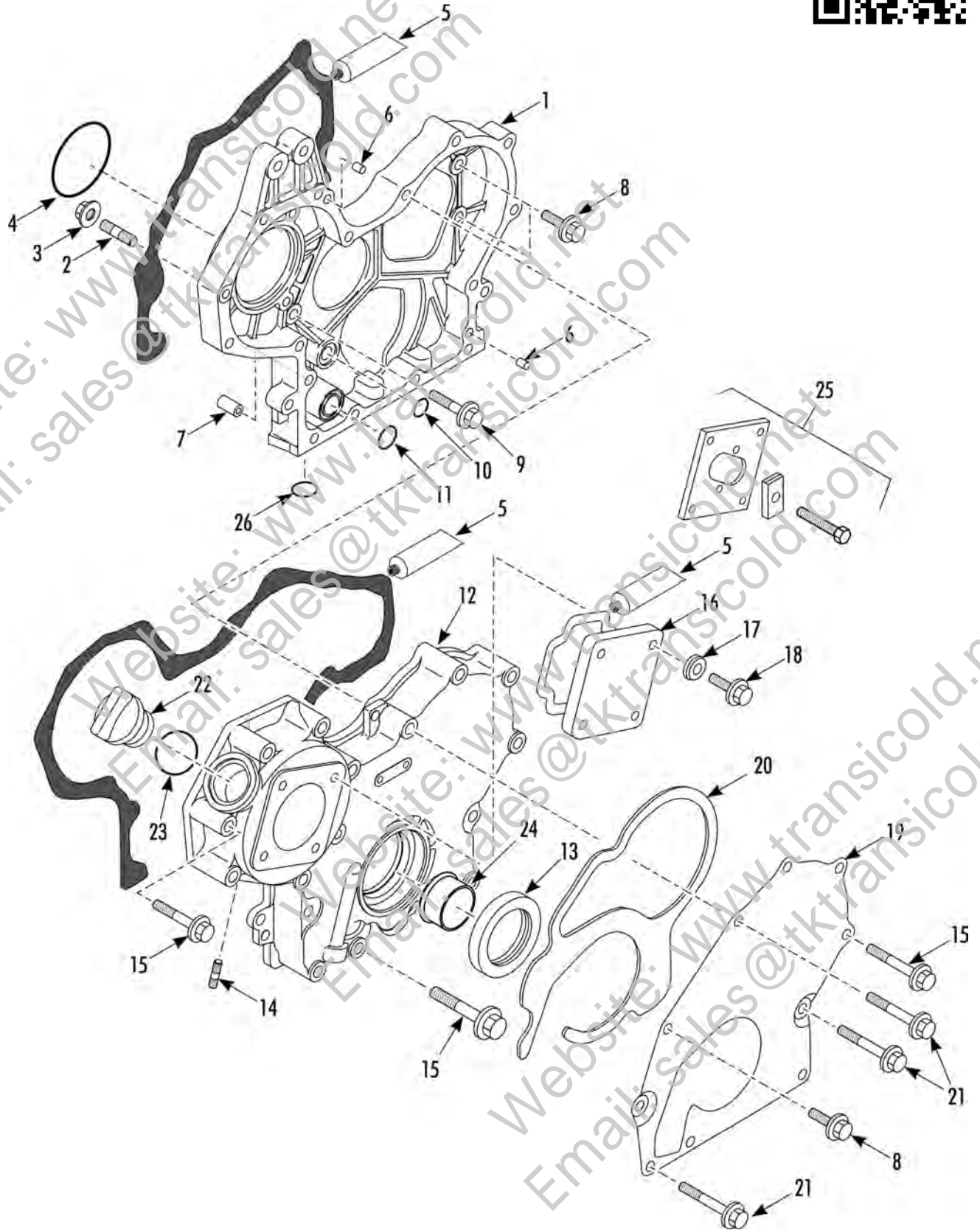
Revised
07/25/17**CYLINDER HEAD & VALVE COVER (TK486
series)**

| REF | PART NO. | DESCRIPTION | |
|-----|-----------|--|-----|
| 30 | 118929 | * GUIDE - valve (exhaust) | |
| 31 | 118934 | * SEAL - valve stem (exhaust, marked w/ yellow stripe) | 4 |
| 32 | 118932 | * SPRING - valve | 8 |
| 33 | 118933 | * RETAINER - spring | 8 |
| 34 | 558858 | * KEEPER - valve | 8 |
| 35 | 118936 | * CAP - valve | 8 |
| 36 | 130342TKA | RETAINER - nozzle | 4 |
| 37 | 130341TKA | PROTECTOR - nozzle | 4 |
| 38 | 116707 | GASKET - copper (nozzle seat) | 4 |
| 39 | 556191 | SCREW - nozzle retainer | 4 |
| 40 | 511151 | WASHER | 4 |
| 41 | 558853 | SCREW - cylinder head | 18 |
| 42 | 335056 | GASKET - cylinder head | 1 |
| | 335056 | GASKET - head (see Service Bulletin TT537) | 1 |
| 43 | 130126 | LIFTER - engine | 2 |
| 44 | 555801 | SCREW - lifter | 4 |
| 45 | 118942 | FLANGE | 1 |
| 46 | 555763 | * PLUG | 1 |
| 47 | 332934TKA | GASKET - flange | 1 |
| 48 | 558441 | SCREW - flange | 4 |
| 49 | 2030348 | GASKET - liquid | A/R |
| 50 | 130648 | SEAT - valve (intake) | 4 |
| 51 | 118927 | SEAT - valve (exhaust) | 4 |

204F2



GEAR CASE GROUP (TK486 series)



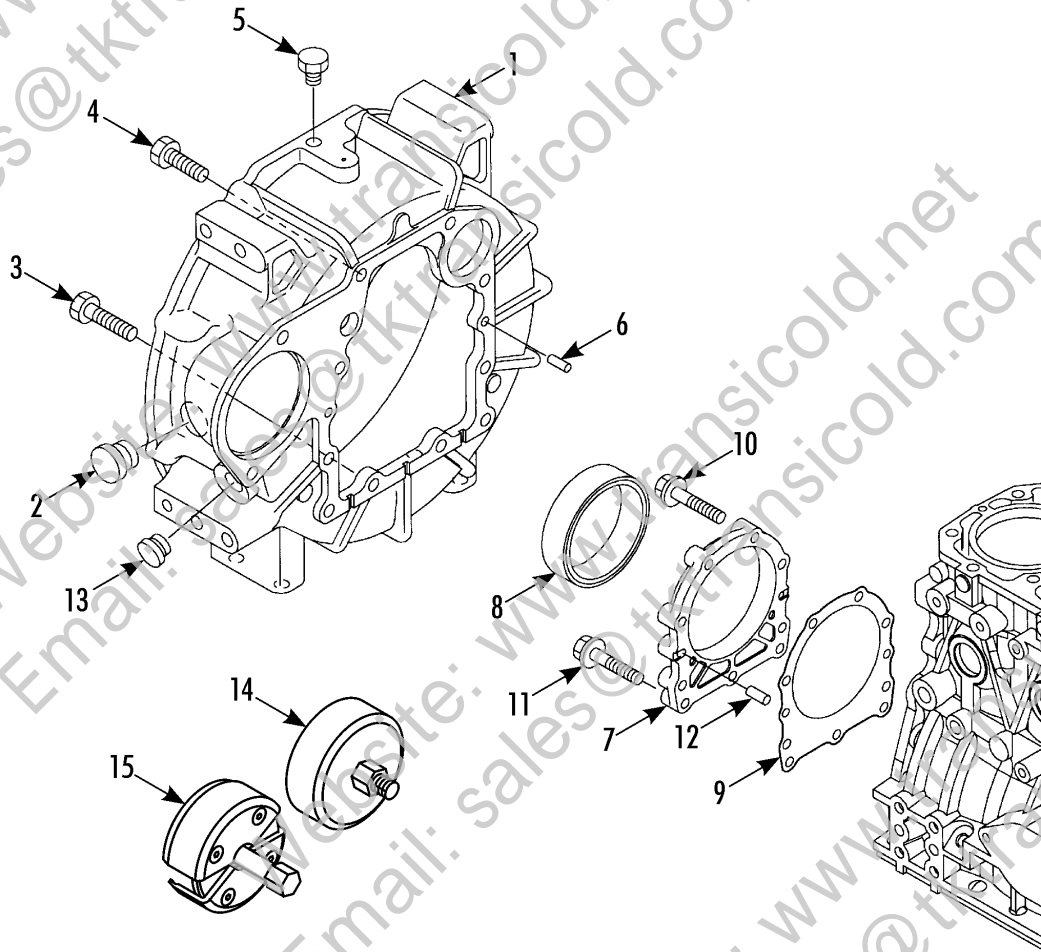
Revised
12/03/13**GEAR CASE GROUP (TK486 series)**

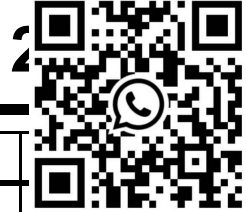
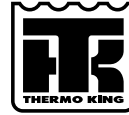
| REF | PART NO. | DESCRIPTION | |
|-----|-----------|------------------------------------|-----|
| 1 | 130319 | CASE - gear | |
| 2 | 511146 | STUD - injection pump | 3 |
| 3 | 510594 | NUT | 3 |
| 4 | 331953 | O-RING - injection pump | 1 |
| 5 | 2030348 | GASKET - adhesive | A/R |
| 6 | 555816 | PIN - dowel | 2 |
| 7 | 556234 | PIN - dowel | 2 |
| 8 | 558441 | SCREW - case (16 mm) | 3 |
| 9 | 555809 | SCREW - case (45 mm) | 1 |
| 10 | 333821TKA | O-RING - gear case (16 mm) | 1 |
| 11 | 334089TKA | O-RING - gear case (20 mm) | 1 |
| 12 | 130322 | COVER - gear case | 1 |
| 13 | 334088 | * SEAL - oil | 1 |
| 14 | 556367 | * STUD - fuel pump | 3 |
| 15 | 556236 | SCREW - cover (55 mm) | 8 |
| 16 | 115082 | COVER | 1 |
| 17 | 554622TKA | WASHER - sealing | 4 |
| 18 | 558854TKA | SCREW - cover (12 mm) | 4 |
| 19 | 130321 | COVER - sound shield | 1 |
| 20 | 334087 | GASKET - cover | 1 |
| 21 | 556237 | SCREW - cover (85 mm) | 7 |
| 22 | 115091 | CAP - oil fill | 1 |
| 23 | 331954 | O-RING - cap | 1 |
| 24 | 119592 | SPEEDI SLEEVE - front seal | 1 |
| 25 | 2041011 | TOOL - injection pump gear remover | 1 |
| 26 | 334089TKA | O-RING | 1 |

204F3



FLYWHEEL HOUSING GROUP (TK480 series)



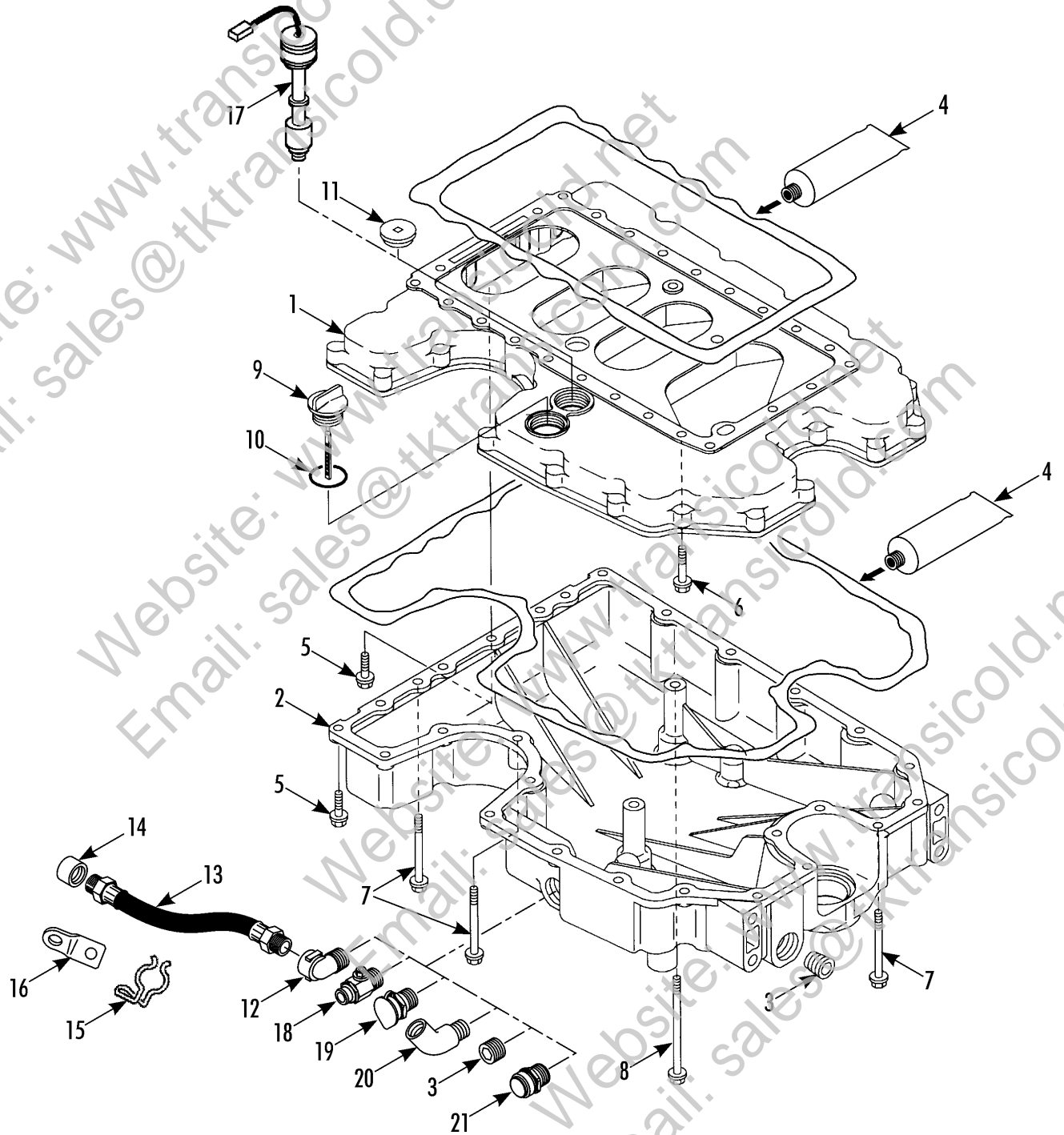
Revised
02/24/16**FLYWHEEL HOUSING GROUP (TK486
series)**

| REF | PART NO. | DESCRIPTION | |
|-----|----------|-------------------------|---|
| 1 | 120823 | HOUSING - flywheel | |
| 2 | 116031 | PLUG - access hole | 1 |
| 3 | 558856 | SCREW - housing (30 mm) | 4 |
| 4 | 556537 | SCREW - housing (25 mm) | 6 |
| 5 | 558855 | SCREW - plug (M12 x 16) | 1 |
| 6 | 555816 | PIN - dowel | 2 |
| 7 | 118924 | CASE - oil seal | 1 |
| 8 | 332974 | SEAL - oil (axial) | 1 |
| 9 | 332969 | GASKET - oil seal case | 1 |
| 10 | 511149 | SCREW - case (30 mm) | 6 |
| 11 | 556191 | SCREW - case (35 mm) | 3 |
| 12 | 555816 | PIN - dowel | 2 |
| 13 | 511162 | SCREW - housing | 1 |
| 14 | 2040952 | TOOL - seal installer | 1 |
| 15 | 2040994 | TOOL - seal remover | 1 |

204F4

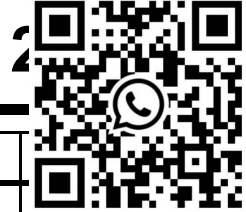


OIL SUMP GROUP (TK486 series)



Revised
04/05/13

OIL SUMP GROUP (TK486 series)

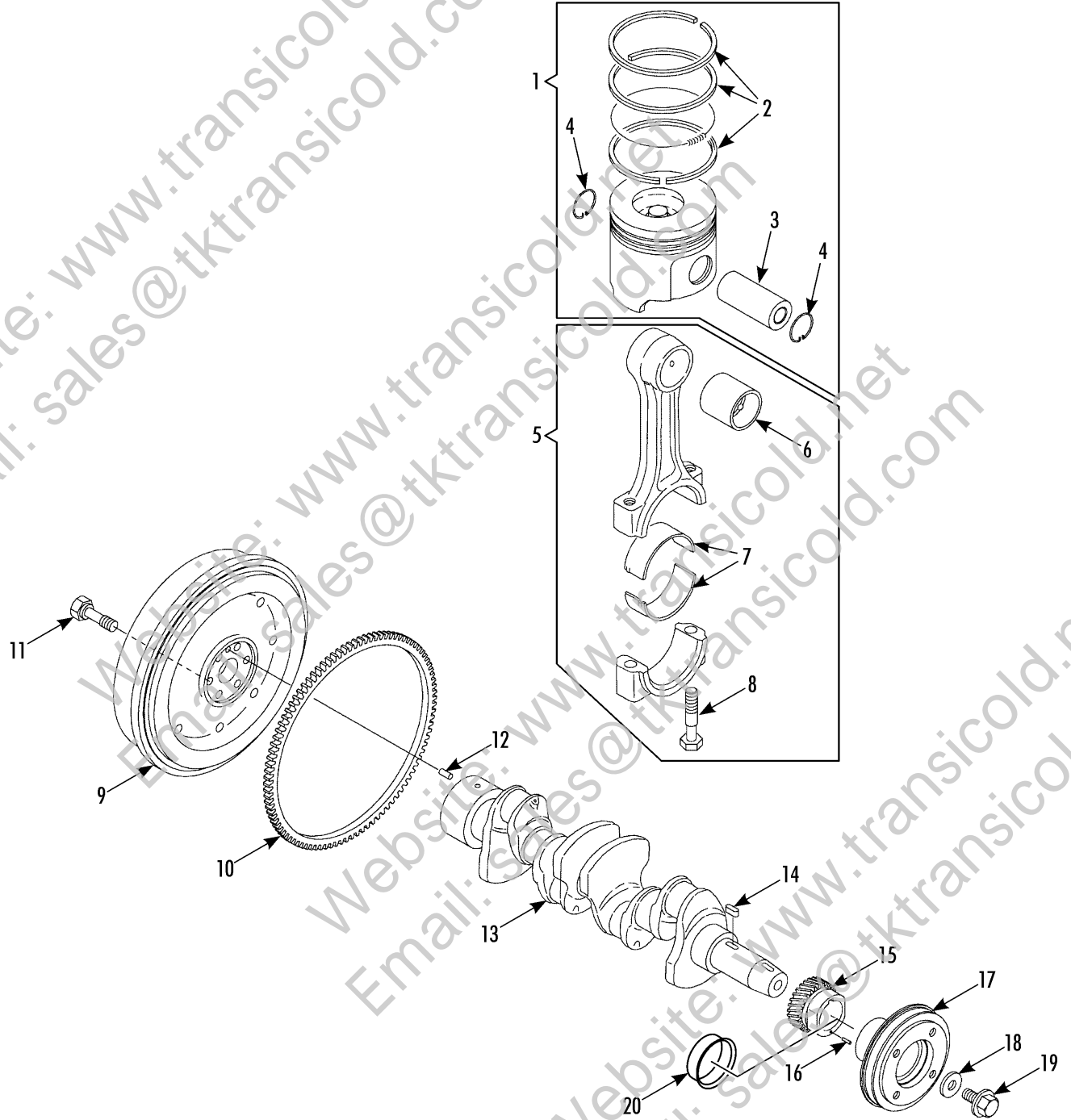


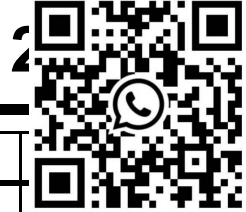
| REF | PART NO. | DESCRIPTION | |
|-----|-----------|--|-----|
| 1 | 120868 | SUMP - oil (upper) | |
| 2 | 120869 | SUMP - oil (lower) | 1 |
| 3 | 558437 | * PLUG - drain | 2 |
| 4 | 2030348 | GASKET - adhesive (RTV silicone) | A/R |
| 5 | 556246 | SCREW - oil base (25 mm) | 15 |
| 6 | 555809 | SCREW - oil base (45 mm) | 19 |
| 7 | 556237 | SCREW - oil base (85 mm) | 12 |
| 8 | 511150TKA | SCREW - oil base (120 mm) | 1 |
| 9 | 118667 | DIPSTICK | 1 |
| 10 | 334090 | O-RING - dipstick | 1 |
| 11 | 118923 | CAP (units w/o oil level switch, push-in type) | 1 |
| 12 | 559167 | ELBOW - hose (90 degree) | 1 |
| 13 | 118984 | HOSE - oil drain (10 in long) | 1 |
| | 115911 | HOSE - oil drain (17 in long) | 1 |
| 14 | 555081 | CAP - hose | 1 |
| 15 | 914823 | CLIP - hose | 1 |
| | 551587 | SCREW - clip | 1 |
| | 552086 | FLATWASHER | 1 |
| | 554953 | NUT | 1 |
| 16 | 917191 | BRACKET - clip | 1 |
| 17 | 414470 | SWITCH - oil level (threaded type) | 1 |
| | 334160 | * O-RING - switch | 1 |
| 18 | 119338 | VALVE - oil drain | 1 |
| 19 | 119448 | FITTING - oil drain (ESOC) | 1 |
| 20 | 553744 | ELBOW - hose (45 degree) | 1 |
| 21 | 131063 | FITTING - oil drain w/cap | 1 |

204F6



CRANKSHAFT & PISTON GROUP (TK series)



Revised
11/25/15**CRANKSHAFT & PISTON GROUP (TK486
series)**

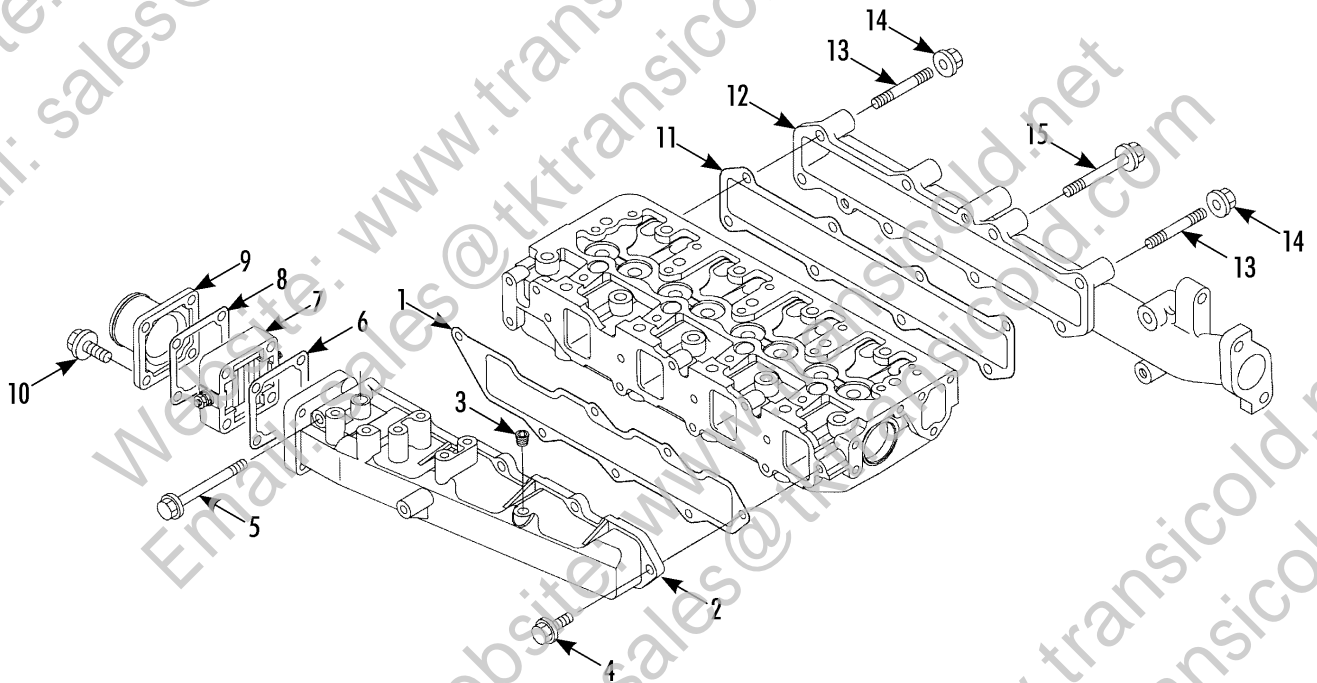
| REF | PART NO. | DESCRIPTION | |
|-----|-----------|---|---|
| 1 | 131064 | PISTON (std, incl 2-4) | |
| | 131065 | PISTON (w/ ring, 0.25 mm os) | 4 |
| | 131066 | PISTON (w/ ring, 0.50 mm os) | 4 |
| 2 | 130355 | * RING SET (std) | 2 |
| | 130461TKA | * RING SET (0.25 mm os) | 4 |
| | 130455 | * RING SET (0.50 mm os) | 4 |
| 3 | 118950 | * PIN - piston | 4 |
| 4 | 118951 | * CIRCLIP | 8 |
| 5 | 118952 | ROD - connecting | 4 |
| 6 | 118953 | * BUSHING - piston pin | 4 |
| 7 | 130924 | * BEARING - connecting rod (std) | 4 |
| | 130925 | * BEARING - connecting rod (0.25 mm os) | 4 |
| 8 | 558865TKA | * BOLT - connecting rod | 8 |
| 9 | 120750 | FLYWHEEL | 1 |
| 10 | 118947 | * GEAR - ring (before 11/08) | 1 |
| | 131138 | * GEAR - ring (11/08 & after) | 1 |
| 11 | 558864 | BOLT - flywheel | 6 |
| 12 | 555816 | PIN - dowel | 1 |
| 13 | 130351TKA | CRANKSHAFT | 1 |
| 14 | 116719 | * KEY - gear | 1 |
| 15 | 130352TKA | GEAR - crankshaft | 1 |
| 16 | 554668 | PIN - spring | 1 |
| 17 | 130353 | PULLEY - crankshaft | 1 |
| 18 | 556249 | WASHER | 1 |
| 19 | 556250 | BOLT - v-pulley | 1 |
| 20 | 119592 | SPEEDI SLEEVE - front seal | 1 |

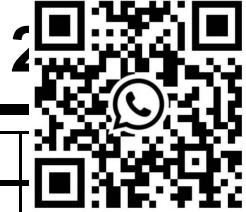
NOTE: Engines before serial number EA00749, use gear ring 11-8947. Engines with serial number EA00749 and after, use gear ring 13-1138.

204F7



INTAKE & EXHAUST MANIFOLD (TK4 series)



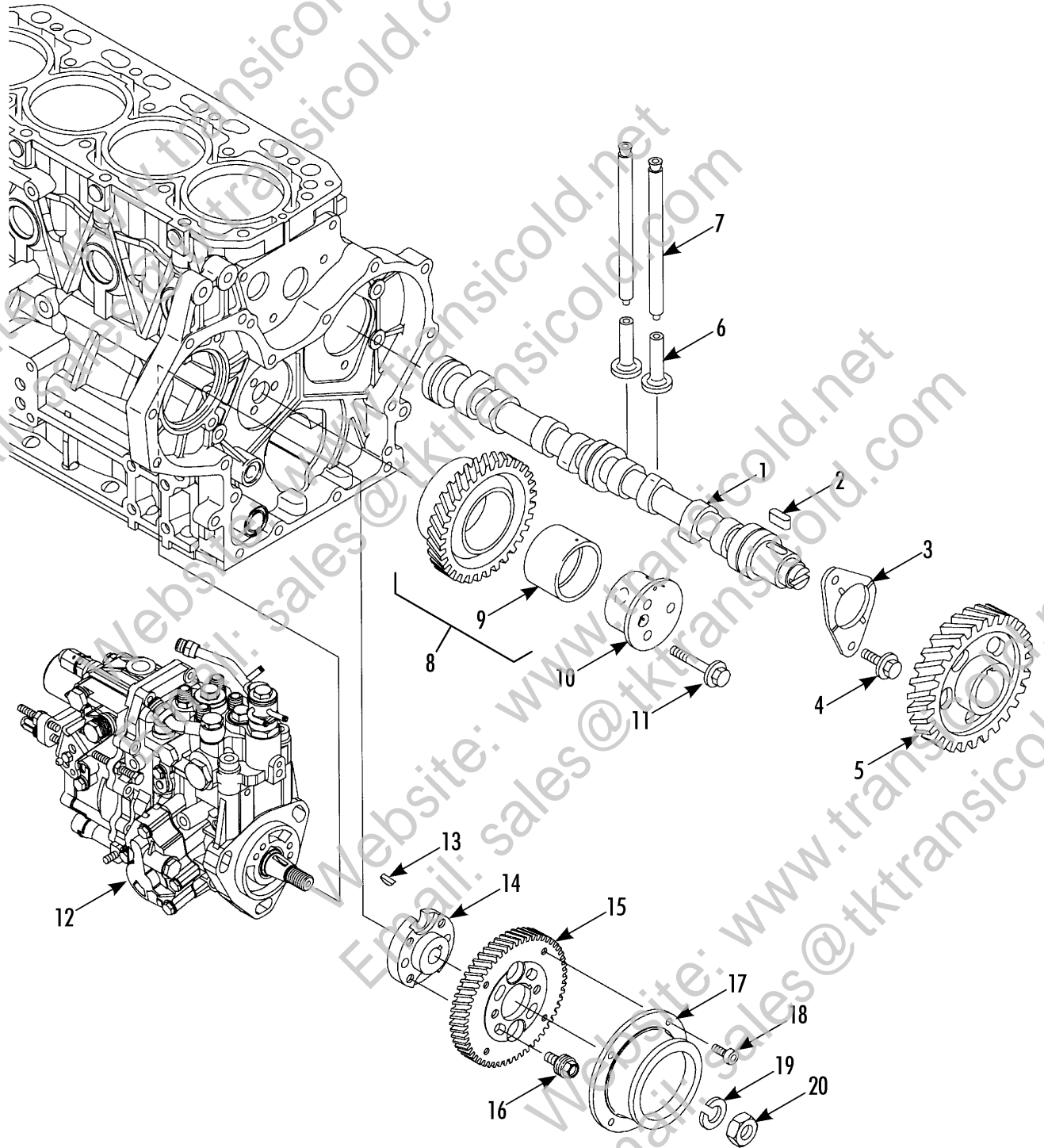
Revised
04/05/13**INTAKE & EXHAUST MANIFOLD (TK486
series)**

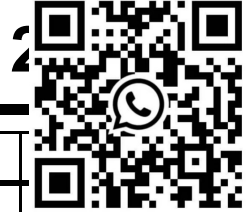
| REF | PART NO. | DESCRIPTION | |
|-----|-----------|----------------------------------|---|
| 1 | 332936 | GASKET - intake manifold | |
| 2 | 130343 | MANIFOLD - intake | 1 |
| 3 | 555763 | * PLUG | 1 |
| 4 | 556188TKA | SCREW - intake manifold (20 mm) | 6 |
| 5 | 558717 | SCREW - intake manifold (80 mm) | 1 |
| 6 | 332765 | GASKET - air heater | 1 |
| 7 | 412147 | HEATER - air | 1 |
| 8 | 332764 | GASKET - inlet | 1 |
| 9 | 119266 | INLET - intake manifold | 1 |
| 10 | 556191 | SCREW - inlet (35 mm) | 4 |
| 11 | 332937 | GASKET - exhaust manifold | 1 |
| 12 | 118944 | MANIFOLD - exhaust | 1 |
| 13 | 511153 | STUD - exhaust manifold | 2 |
| 14 | 510594 | NUT | 2 |
| 15 | 511152 | SCREW - exhaust manifold (40 mm) | 7 |

204F8



CAMSHAFT & DRIVE GEAR GROUP (series)



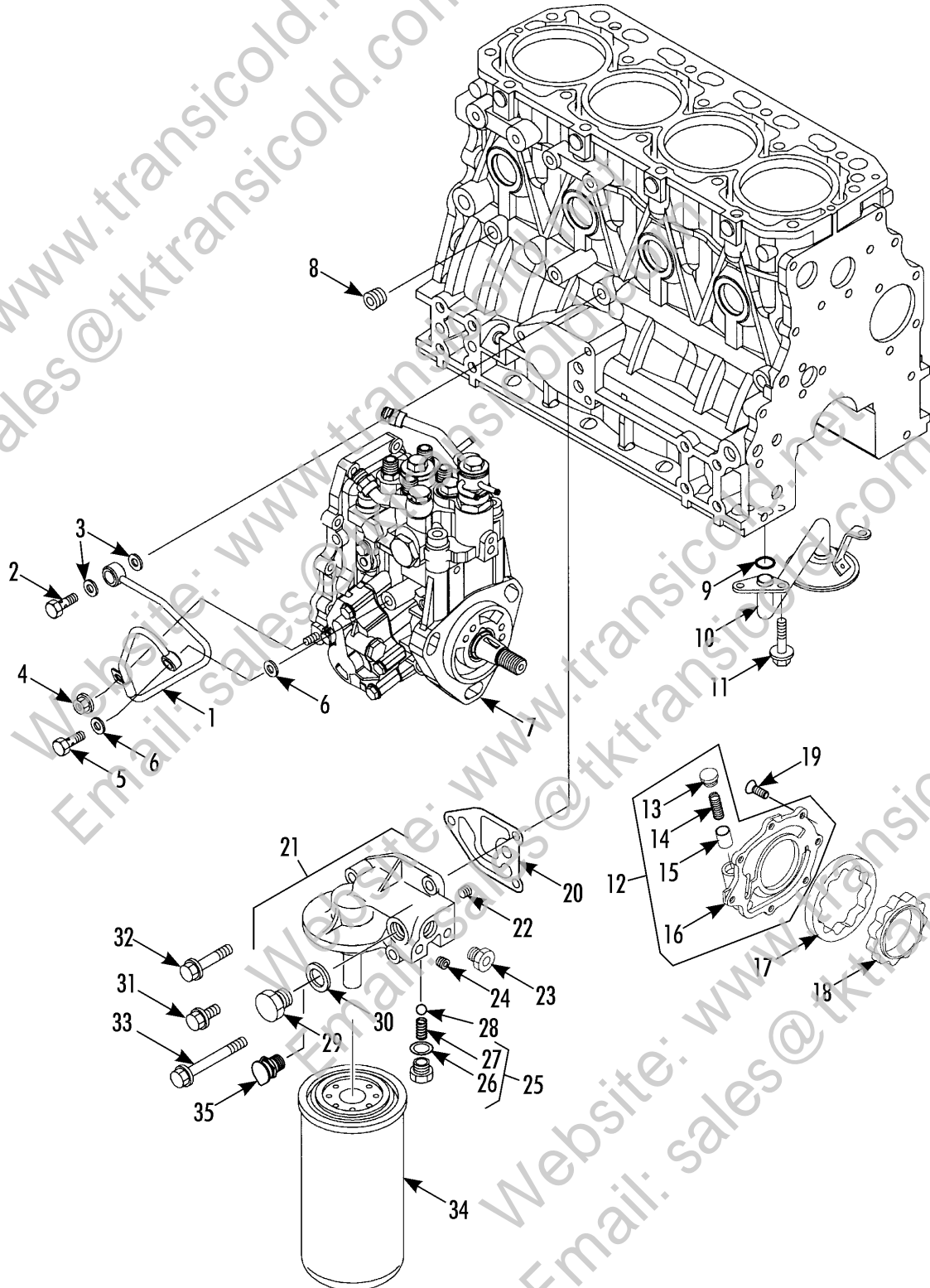
Revised
06/10/15**CAMSHAFT & DRIVE GEAR GROUP (TK486
series)**

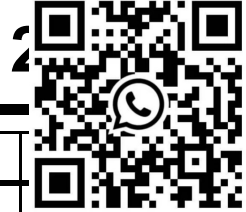
| REF | PART NO. | DESCRIPTION | |
|-----|-----------|---|---|
| 1 | 119261 | CAMSHAFT (incl items 2 thru 5) | |
| 2 | 116719 | * KEY - gear | 1 |
| 3 | NSS | * BEARING - thrust | 1 |
| 4 | 555801 | * BOLT - plate | 2 |
| 5 | 116716 | * GEAR - camshaft | 1 |
| 6 | 116717 | TAPPET | 8 |
| 7 | 118945 | ROD - push | 8 |
| 8 | 130930TKA | GEAR (w/ bushing) | 1 |
| 9 | 132299 | * BUSHING - idler gear | 1 |
| 10 | 130345 | SHAFT - idler gear | 1 |
| 11 | 555772 | SCREW - gear | 2 |
| 12 | 1010362 | PUMP - fuel injection (2200 rpm, see 204G1) | 1 |
| | 1010354 | PUMP - fuel injection (2600 rpm, see 205C5) | 1 |
| 13 | 512009 | KEY - gear | 1 |
| 14 | 130350 | FLANGE | 1 |
| 15 | 130349 | GEAR - injection pump | 1 |
| 16 | 559222 | SCREW - gear | 4 |
| 17 | 130346 | CAM - feed pump | 1 |
| 18 | 559223 | SCREW - cam | 4 |
| 19 | 511154 | WASHER | 1 |
| 20 | 511155 | NUT | 1 |

204F9



OIL FILTER & PUMP GROUP (TK486 s



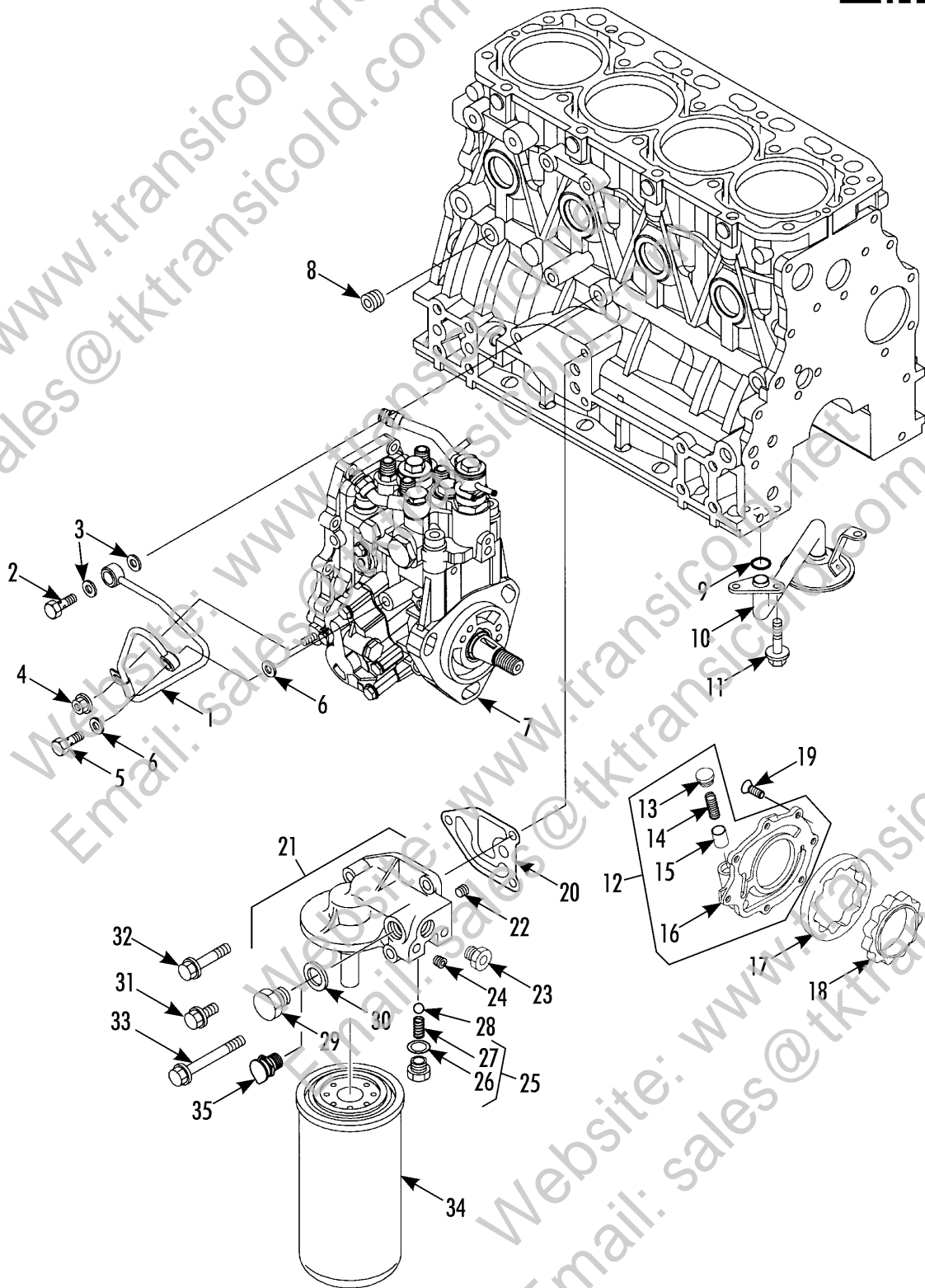
Revised
11/25/15**OIL FILTER & PUMP GROUP (TK486 series)**

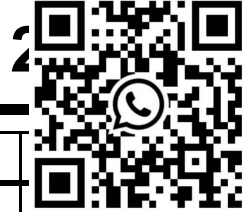
| REF | PART NO. | DESCRIPTION | |
|-----|-----------|---|---|
| 1 | 130357 | PIPE - oil | |
| 2 | 554644 | BOLT - eye | 1 |
| 3 | 333833TKA | SEAL - washer (10) | 2 |
| 4 | 555792 | NUT | 1 |
| 5 | 511158 | BOLT - eye | 1 |
| 6 | 554622TKA | WASHER - sealing (8) | 2 |
| 7 | 1010362 | PUMP - fuel injection (2200 rpm, see 204G1) | 1 |
| | 1010354 | PUMP - fuel injection (2600 rpm) | 1 |
| 8 | 511159 | PLUG | 1 |
| 9 | 334089TKA | O-RING - pipe | 1 |
| 10 | 130356 | PIPE - oil pickup | 1 |
| 11 | 558441 | SCREW - pipe (16 mm) | 2 |
| 12 | 130323 | COVER - oil pump (w/ check valve) | 1 |
| 13 | 511147 | * PLUG | 1 |
| 14 | 130325 | * SPRING | 1 |
| 15 | 130324 | * VALVE - check | 1 |
| 16 | 130326 | * COVER - oil pump | 1 |
| 17 | 130328 | ROTOR - outer | 1 |
| 18 | 130327 | ROTOR - inner | 1 |
| 19 | 510592 | SCREW - oil pump | 7 |
| 20 | 332931 | GASKET - oil filter bracket | 1 |
| 21 | 119354 | BRACKET - filter (incl 22 - 30) | 1 |
| 22 | 118964 | * ORIFICE | 1 |
| 23 | 510593 | * PLUG (3/8) | 1 |
| 24 | 555763 | * PLUG (1/8) | 2 |
| 25 | 118995 | * VALVE - check | 1 |
| 26 | 511157 | ** WASHER - sealing (14) | 1 |
| 27 | 118965 | ** SPRING | 1 |
| 28 | 558868 | * BALL | 1 |
| 29 | 511156TKA | * PLUG | 1 |

204F9



OIL FILTER & PUMP GROUP (TK486)



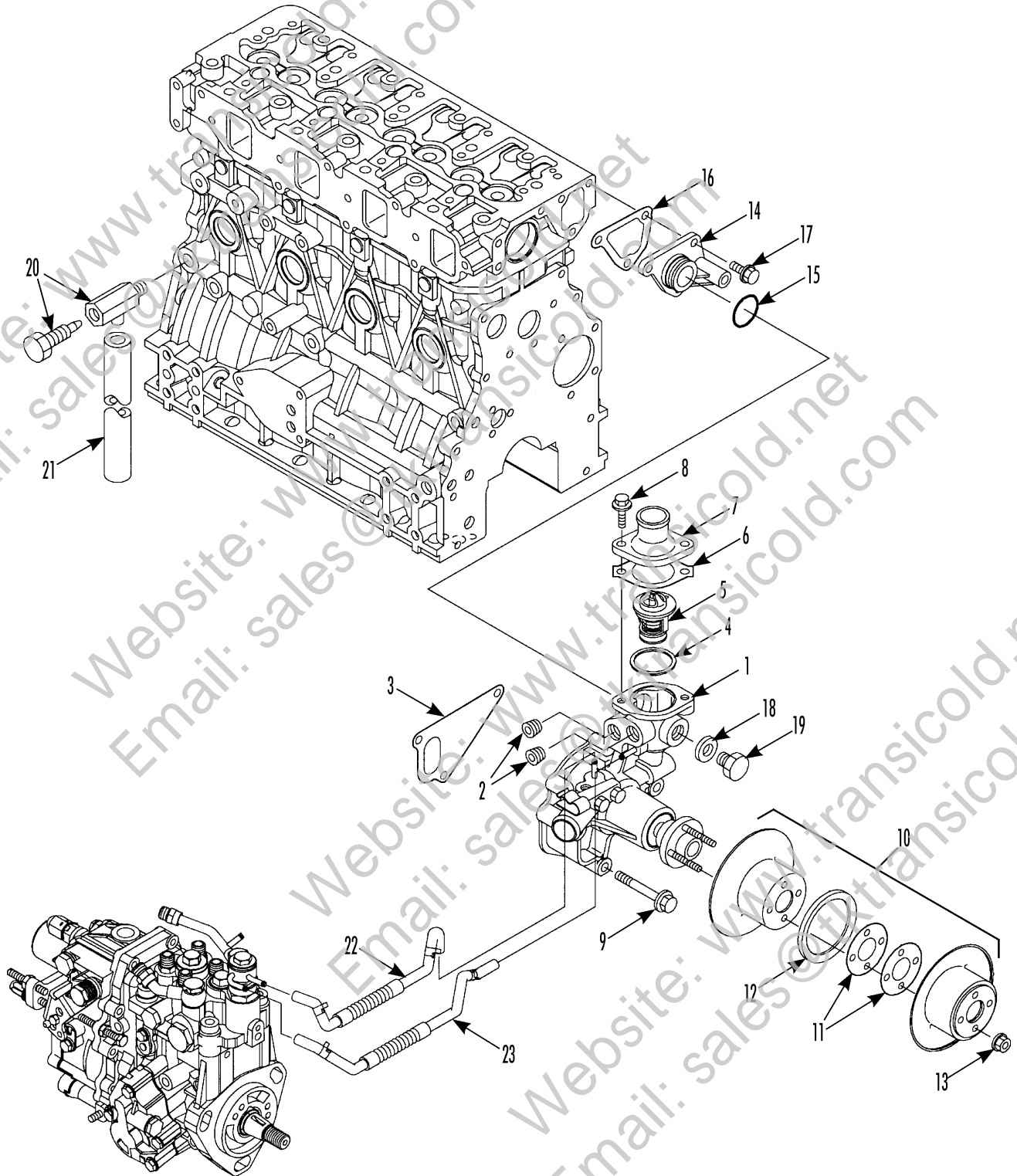
Revised
11/25/15**OIL FILTER & PUMP GROUP (TK486 series)**

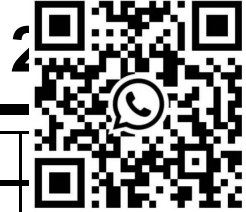
| REF | PART NO. | DESCRIPTION | |
|-----|-----------|----------------------------|---|
| 30 | 511157 | * WASHER - sealing (14) | |
| 31 | 556188TKA | SCREW - bracket (20 mm) | 1 |
| 32 | 555809 | SCREW - bracket (45 mm) | 1 |
| 33 | 558869 | SCREW - bracket (75 mm) | 1 |
| 34 | 119182 | FILTER - oil (EMI 3000) | 1 |
| 35 | 119447 | FITTING - oil inlet (ESOC) | 1 |

204F0

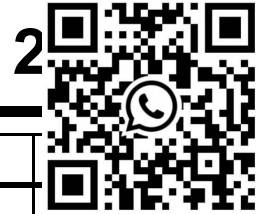


WATER PUMP ASSEMBLY (TK486 ser



Revised
01/16/17**WATER PUMP ASSEMBLY (TK486 series)**

| REF | PART NO. | DESCRIPTION | |
|-----|-----------|------------------------------------|-----|
| 1 | 132268 | PUMP - coolant (ELC compatible) | |
| 2 | 510607 | * PLUG | 2 |
| 3 | 333096 | ** GASKET - water pump | 1 |
| | 300295 | GASKET SET (inc items 3, 4, 6, 16) | 1 |
| 4 | 332768 | GASKET | 1 |
| 5 | 130385 | THERMOSTAT (160 F, 71 C) | 1 |
| 6 | 332767 | GASKET | 1 |
| 7 | 118675 | COVER - thermostat | 1 |
| 8 | 556188TKA | SCREW - thermostat | 2 |
| 9 | 556248 | SCREW - pump | 3 |
| 10 | 130358 | PULLEY - water pump | 1 |
| | 771427 | * SHIM (1 mm) | A/R |
| | 772752 | * SHIM (0.5 mm) | A/R |
| 12 | 771428 | * SPACER | 1 |
| 13 | 555792 | NUT | 4 |
| 14 | 130815 | JOINT - pump | 1 |
| 15 | 333098 | * O-RING - joint | 1 |
| 16 | 333097 | GASKET - joint | 1 |
| 17 | 558441 | SCREW - joint | 3 |
| 18 | 331745 | WASHER - sealing | 1 |
| 19 | 119256 | PLUG | 1 |
| 20 | 555780 | COCK - drain | 1 |
| 21 | 130360 | HOSE - drain | 1 |
| 22 | 130363 | HOSE - inj pump to water pump | 1 |
| 23 | 130514 | HOSE - inj pump to water pump | 1 |
| | 510588 | CLAMP - hose | 4 |

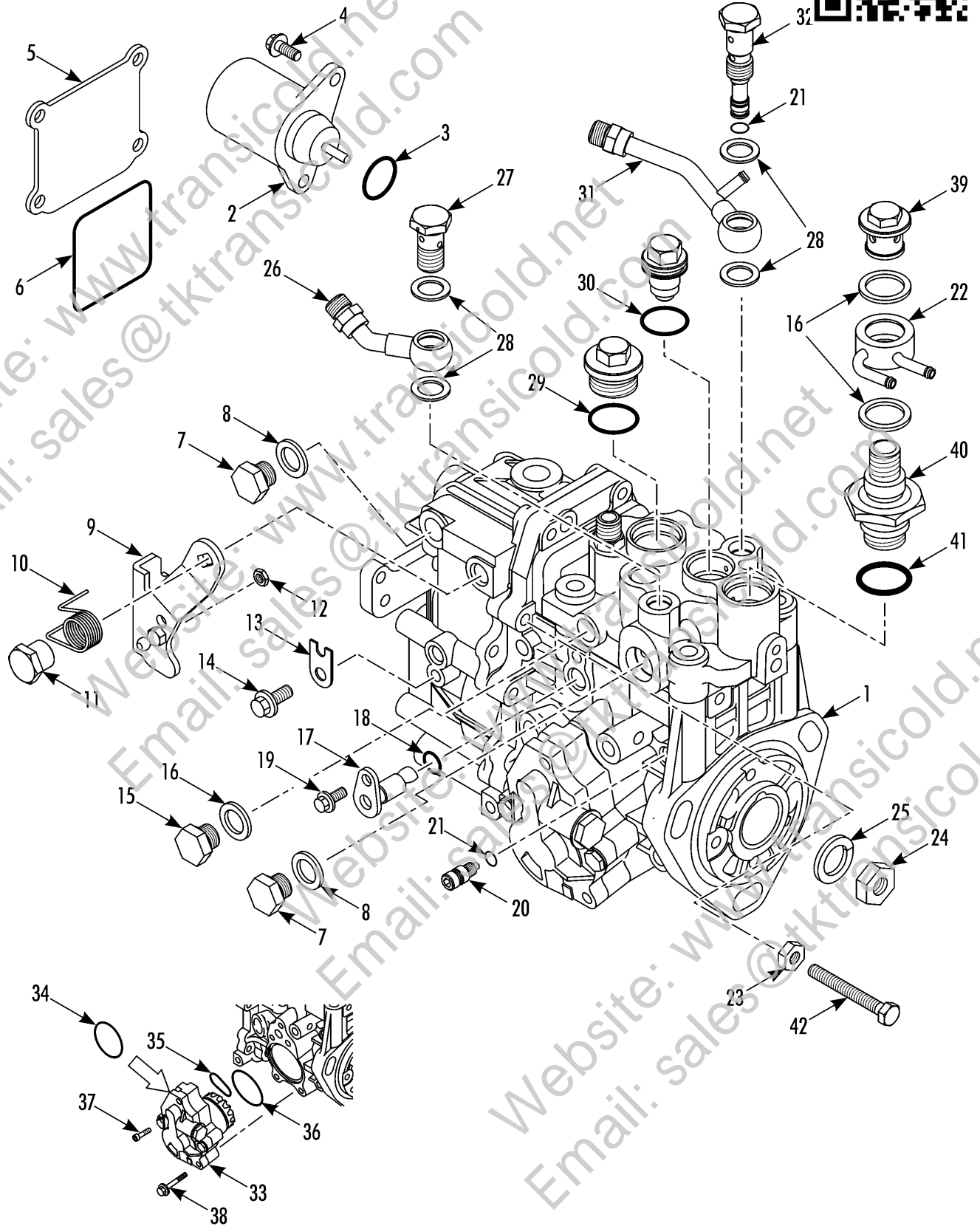
Revised
11/25/15**FUEL INJECTION GROUP (TK486 series)**

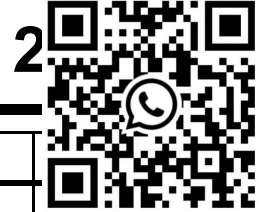
| REF | PART NO. | DESCRIPTION | |
|-----|-----------|---|---|
| 1 | 1010362 | PUMP - fuel injection (2200 rpm, see 204G2) | |
| | 1010354 | PUMP - fuel injection (2600 rpm, see 205C5) | 1 |
| 2 | 130365 | BRACKET - pump | 1 |
| 3 | 556188TKA | SCREW - support | 2 |
| 4 | 130371TKA | PIPE - fuel injection | 1 |
| 5 | 130391TKA | PIPE - fuel injection | 1 |
| 6 | 130392TKA | PIPE - fuel injection | 1 |
| 7 | 130393 | PIPE - fuel injection | 1 |
| 8 | 130368 | RETAINER - tube (4 tubes) | 1 |
| 9 | 558626 | SCREW - retainer | 1 |
| 10 | 116109 | RETAINER - tube (3 tubes) | 1 |
| 11 | 558626 | SCREW - retainer | 1 |
| 12 | 130388 | NOZZLE - injection (2200 rpm engine) | 4 |
| | 130389 | NOZZLE - injection (2600 rpm engine) | 4 |
| 13 | 334174TKA | * GASKET - nozzle | 1 |
| 14 | 116707 | GASKET - copper (nozzle seat) | 1 |
| 15 | 130341TKA | PROTECTOR - nozzle | 1 |
| 16 | 100373 | KIT - fuel return | 1 |
| 17 | 130310 | HOSE & CLAMPS (nozzle to nozzle) | 3 |
| 18 | 130451TKA | HOSE & CLAMPS (nozzle to pump) | 1 |
| 19 | 2041848 | ADAPTER - compression tester | 1 |
| | 119446 | * VALVE (Schrader) | 1 |
| | 551819 | * SEAL - copper | 1 |
| | 554607 | * FLATWASHER | 2 |
| | 2040542 | TESTER - compression | 1 |

204G2



FUEL INJECTION PUMP GROUP (TK4 series, 2200 RPM)



Revised
07/28/17**FUEL INJECTION PUMP GROUP (TK486
series, 2200 RPM)**

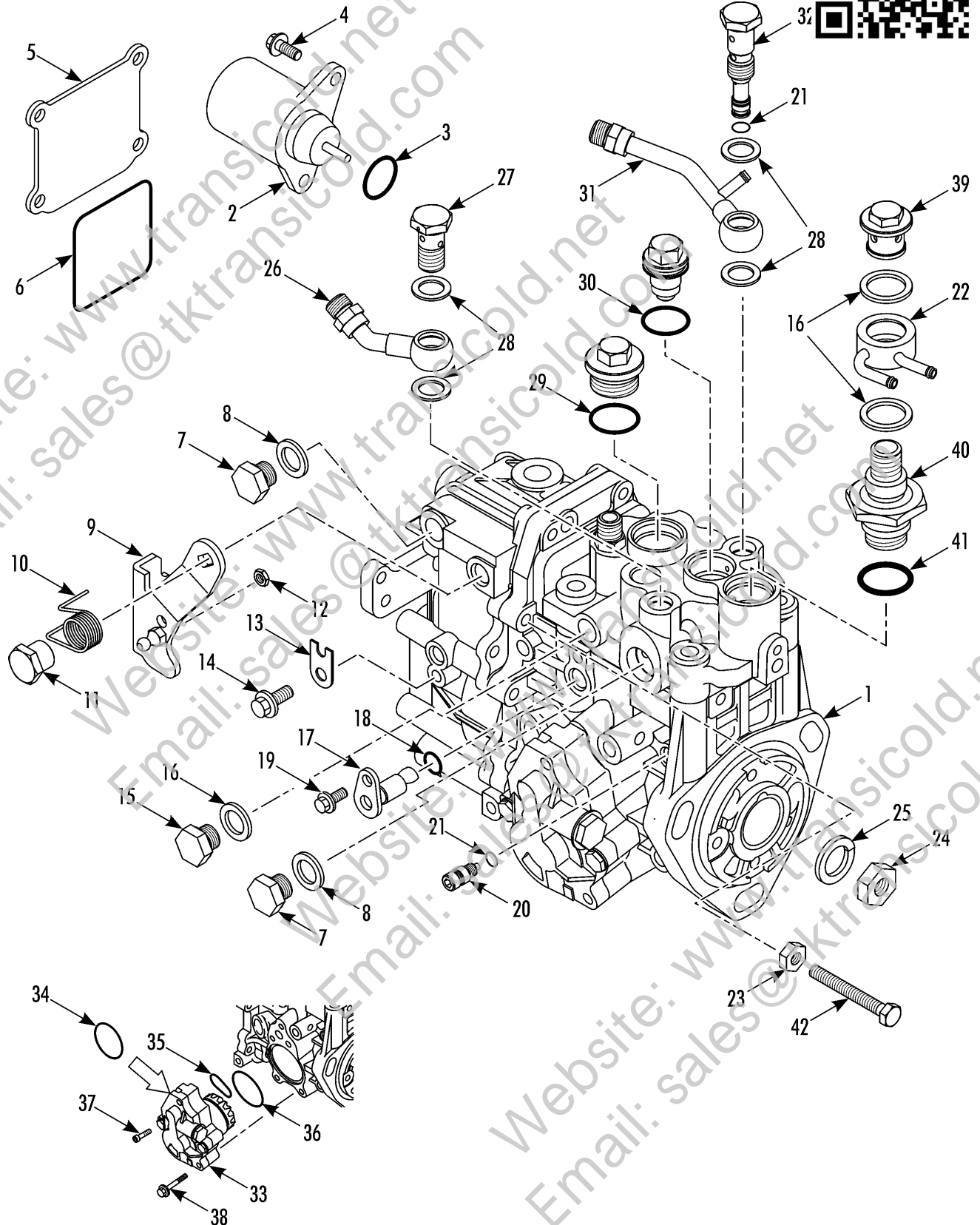
| REF | PART NO. | DESCRIPTION | |
|-----|-----------|---|---|
| 1 | 1010362 | PUMP - fuel injection (2200 rpm) | |
| 2 | 420100 | * SOLENOID - stop | 1 |
| | 421700 | SOLENOID - stop (SLX & SLXe units only after 10/14, see note) | 1 |
| 3 | 332230 | * O-RING - solenoid | 1 |
| 4 | 558448 | * SCREW - solenoid | 2 |
| 5 | 130440 | * COVER - governor | 1 |
| 6 | 335271 | * GASKET - cover | 1 |
| 7 | 556230 | * PLUG (12 mm) | 2 |
| 8 | 334169 | * WASHER - sealing (12 mm) | 2 |
| 9 | 130836 | * LEVER - control | 1 |
| 10 | 130442TKA | * SPRING - lever | 1 |
| 11 | 511205 | * NUT - lever | 1 |
| 12 | 511206 | * NUT - ball joint | 1 |
| 13 | 116125 | * RETAINER - shaft | 1 |
| 14 | 555822 | * SCREW - retainer | 1 |
| 15 | 511207 | * PLUG | 1 |
| 16 | 334170 | * WASHER - sealing (18 mm) | 3 |
| 17 | 130444 | * LIFTER | 1 |
| 18 | 554676 | * O-RING - lifter | 1 |
| 19 | 555822 | * SCREW - lifter | 1 |
| 20 | 130445 | * STOPPER | 1 |
| 21 | 334171 | * O-RING - stopper & eye bolt | 2 |
| 22 | 130450 | * JOINT - banjo (water) | 1 |
| 23 | 555846 | * NUT | 1 |
| 24 | 511155 | * NUT | 1 |
| 25 | 511154 | * LOCKWASHER | 1 |
| 26 | 130446 | * JOINT - banjo (fuel in) | 1 |
| 27 | 130447 | * BOLT - eye | 1 |
| 28 | 558620 | * WASHER - sealing (12 mm) | 4 |

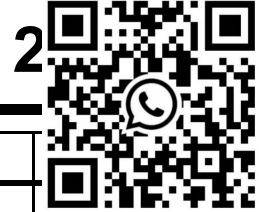
NOTE: Refer to SB 1008 for new solenoid stop.

204G2



FUEL INJECTION PUMP GROUP (TK4 series, 2200 RPM)



Revised
07/28/17**FUEL INJECTION PUMP GROUP (TK486
series, 2200 RPM)**

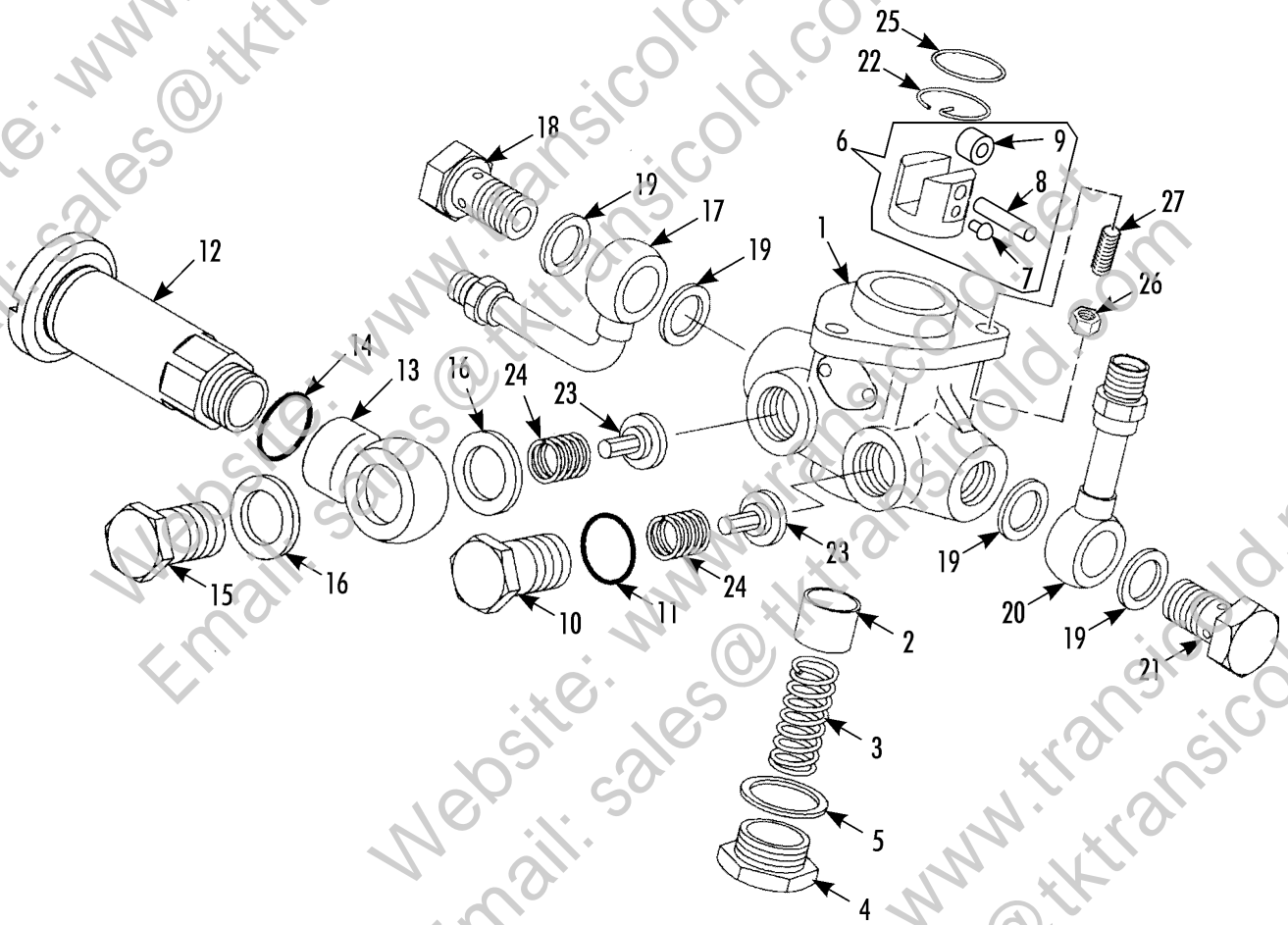
| REF | PART NO. | DESCRIPTION | |
|-----|-----------|------------------------------------|---|
| 29 | 334172 | * O-RING - plug | |
| 30 | 334173TKA | * O-RING - plug | 1 |
| 31 | 130448 | * JOINT - banjo (fuel out) | 1 |
| 32 | 130449 | * BOLT - eye | 1 |
| 33 | 130511 | * PUMP - feed | 1 |
| 34 | 334193TKA | ** O-RING - inner | 1 |
| 35 | 334990 | * O-RING - pump | 1 |
| 36 | 334190TKA | * O-RING - pump | 1 |
| 37 | 556187 | * SCREW - pump (socket head) | 2 |
| 38 | 511269 | * SCREW - pump (hex head) | 4 |
| 39 | 130498 | * CAP - joint, banjo | 1 |
| 40 | 130513 | * THERMOSTAT | 1 |
| 41 | 334196 | * O-RING | 1 |
| 42 | 510612 | * SCREW - idler limit | 1 |
| | 557802 | SCREW - idler limit (genset units) | 1 |

NOTE: Refer to SB 1008 for new solenoid stop.

142F8



FUEL PUMP ASSEMBLY (TK486 serie



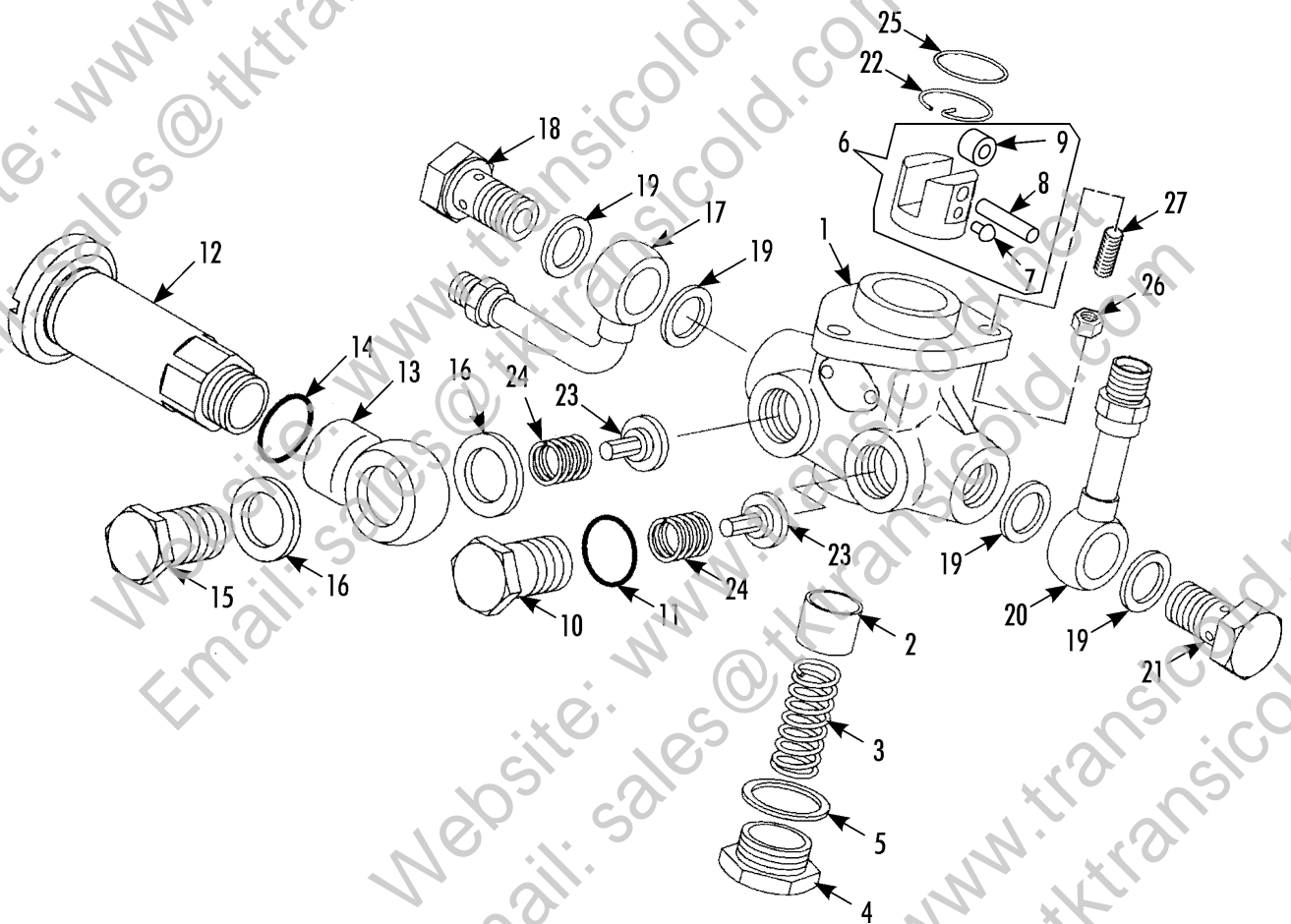
Revised
07/26/16**FUEL PUMP ASSEMBLY (TK486 series)**

| REF | PART NO. | DESCRIPTION | |
|-----|-----------|---|---|
| | 117433 | PUMP - fuel, complete | |
| 1 | NSS | * HOUSING - pump | 1 |
| 2 | 118970 | * PISTON | 1 |
| 3 | 118971 | * SPRING - piston | 1 |
| 4 | 558871 | * RETAINER | 1 |
| 5 | 332940 | * GASKET | 1 |
| 6 | 118998 | * TAPPET | 1 |
| 7 | 115890 | ** GUIDE | 2 |
| 8 | 115889 | ** PIN | 1 |
| 9 | 112770TKA | ** ROLLER | 1 |
| 10 | 118974TKA | * RETAINER - valve | 1 |
| 11 | 332941 | * O-RING | 1 |
| 12 | 118680 | * PUMP | 1 |
| 13 | 118975 | * JOINT - banjo | 1 |
| 14 | 332771 | * O-RING | 1 |
| 15 | 118976 | * BOLT - eye | 1 |
| 16 | 118977 | * GASKET | 2 |
| 17 | 117499 | * JOINT - banjo (elbow, before engine S/N L68462) | 1 |
| | 130128 | * JOINT - banjo (elbow, engine S/N L68462 & after) | 1 |
| 18 | 118681 | * BOLT - eye (with screen) | 1 |
| | 112854 | ** SCREEN (brass, #30) | 1 |
| 19 | 552208 | * GASKET - ring | 4 |
| 20 | 130127 | * JOINT - banjo (straight, engine S/N L68462 & after) | 1 |
| | 117707 | * JOINT - banjo (straight, before engine S/N L68462) | 1 |
| 21 | 118682 | * BOLT - eye | 1 |
| 22 | 558872 | * PIN - snap | 1 |
| 23 | 118972TKA | * VALVE | 2 |
| 24 | 118973 | * SPRING | 2 |
| 25 | 332942 | O-RING | 1 |
| 26 | 554750 | NUT | 3 |

142F8



FUEL PUMP ASSEMBLY (TK486 serie



Revised
07/26/16

FUEL PUMP ASSEMBLY (TK486 series)



| REF | PART NO. | DESCRIPTION |
|-----|----------|------------------|
| 27 | 556367 | STUD - fuel pump |

Website: www.transicold.net
Email: sales@tktransicold.com

Website: www.transicold.net
Email: sales@tktransicold.com

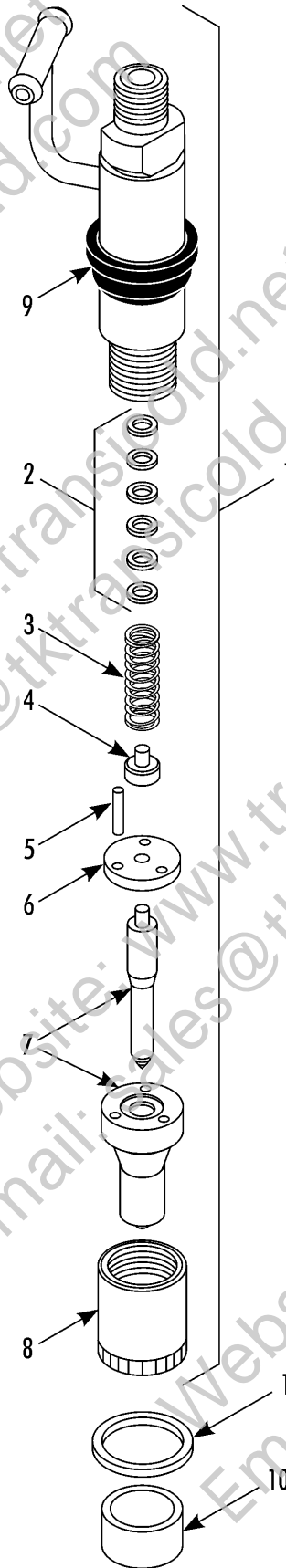
Website: www.transicold.net
Email: sales@tktransicold.com

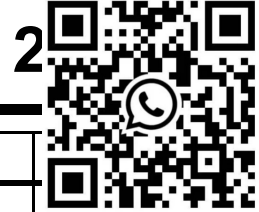
Website: www.transicold.net
Email: sales@tktransicold.com

204G5



FUEL INJECTION NOZZLE (TK486 series)



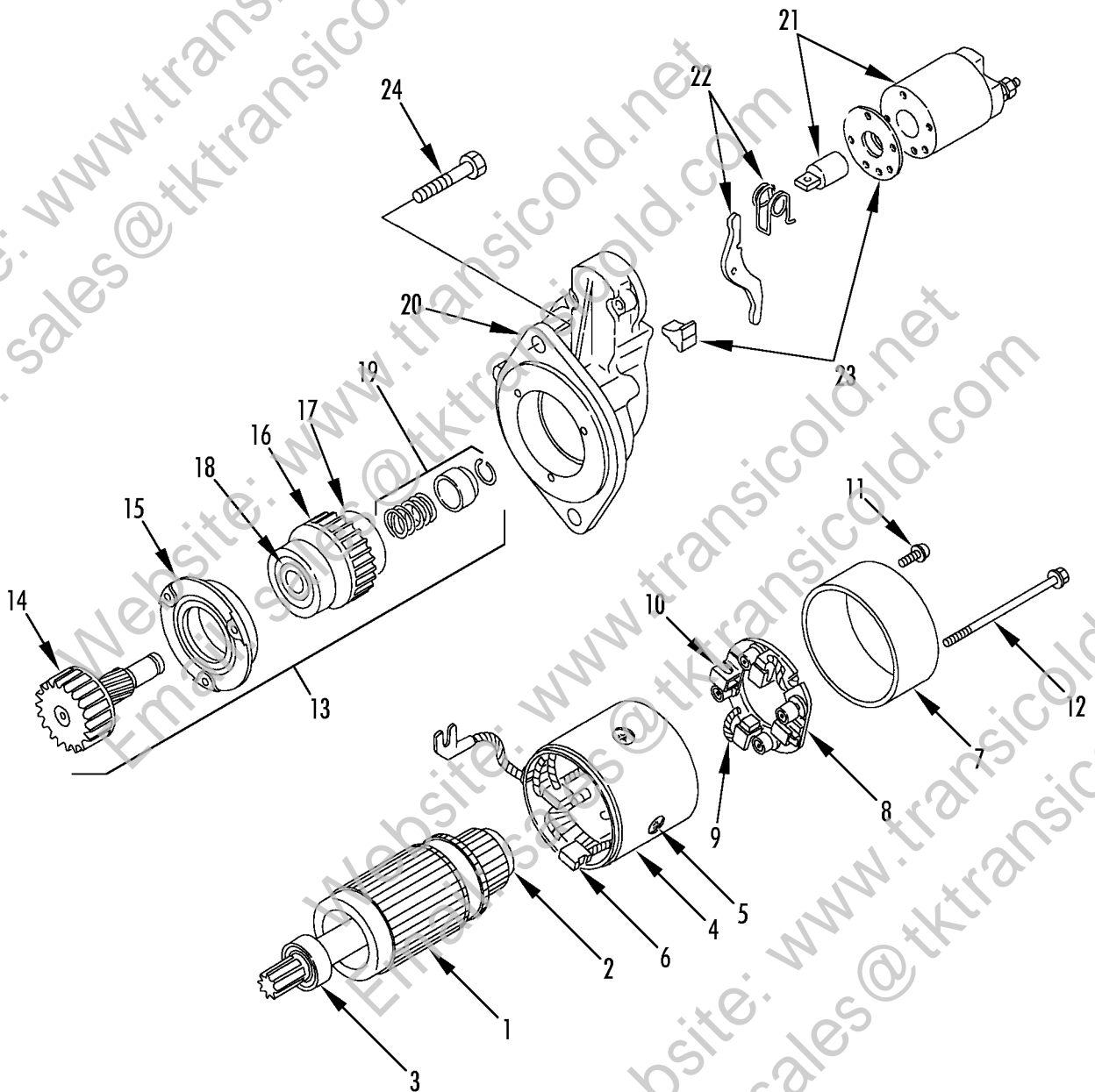
Revised
11/25/15**FUEL INJECTION NOZZLE (TK486 series)**

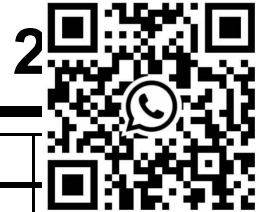
| REF | PART NO. | DESCRIPTION | |
|-----|-----------|-------------------------------|---|
| | 130388 | VALVE - fuel injection | |
| 1 | 116787 | * HOLDER - nozzle | 1 |
| 2 | 116108 | ** SHIM SET | 1 |
| 3 | 116788 | ** SPRING - nozzle | 1 |
| 4 | 116106 | ** RETAINER - nozzle spring | 1 |
| 5 | 116790TKA | ** PIN | 1 |
| 6 | 116789 | ** PLATE - stop | 1 |
| 7 | 130370 | ** NOZZLE | 1 |
| 8 | 116786 | ** NUT - nozzle case | 1 |
| 9 | 334174TKA | ** GASKET - nozzle | 1 |
| 10 | 130341TKA | PROTECTOR - nozzle | 4 |
| 11 | 116707 | GASKET - copper (nozzle seat) | 4 |

204G3



STARTER ASSEMBLY 12 VOLT (TK48 series)



Revised
06/27/17**STARTER ASSEMBLY 12 VOLT (TK486
series)**

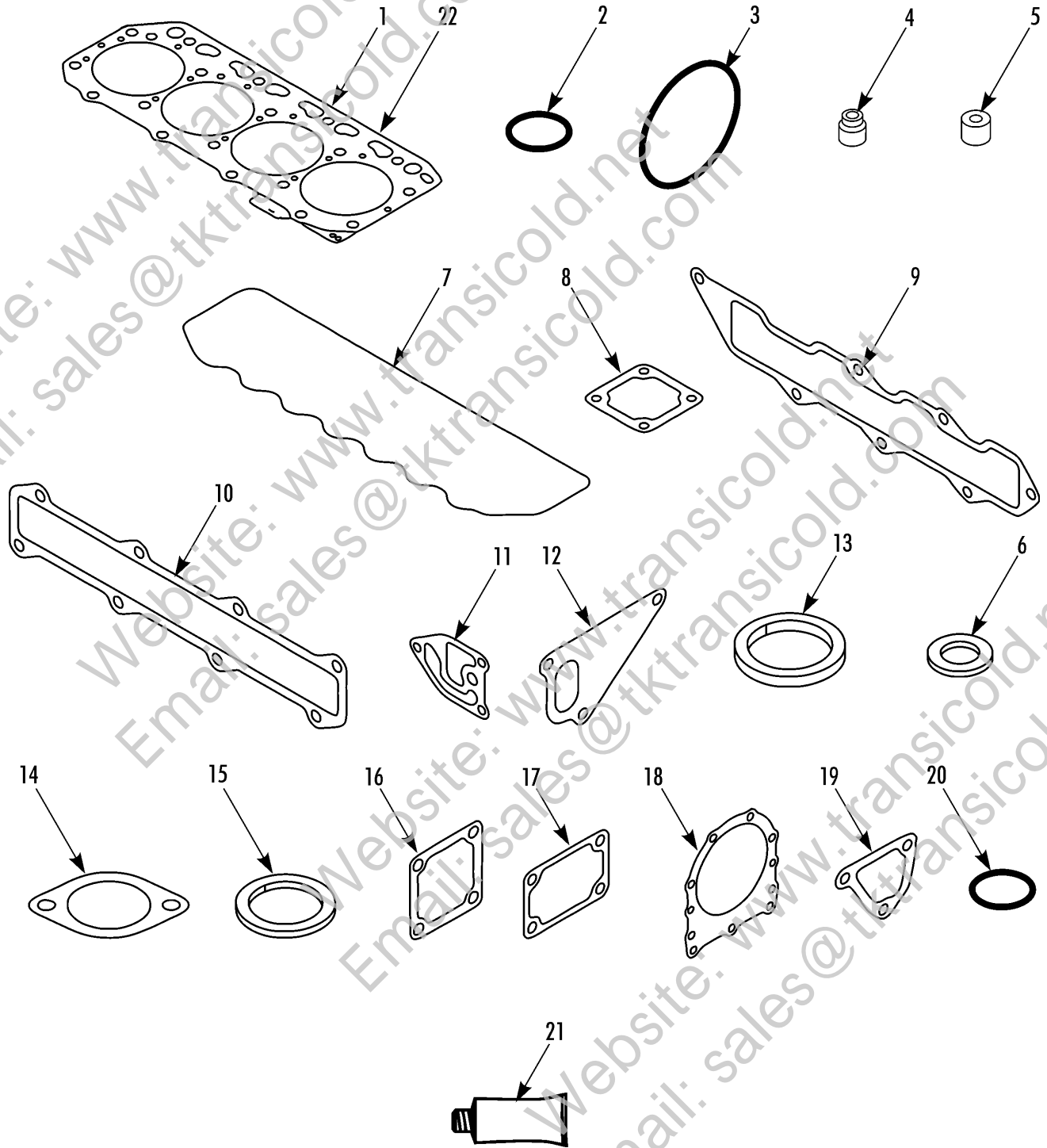
| REF | PART NO. | DESCRIPTION | |
|-----|-----------|-----------------------------------|---|
| | 452177 | STARTER (12V) | |
| | 452324 | STARTER - standard life plus | 1 |
| | 8452324 | STARTER - remanufactured | 1 |
| 1 | 416508 | * ARMATURE (12V) | 1 |
| 2 | 772468 | * BEARING | 1 |
| 3 | 772469 | * BEARING | 1 |
| 4 | 416509 | * YOKE - assembly | 1 |
| 5 | 558894 | ** SCREW - field coil | 4 |
| 6 | 416510 | ** BRUSH - positive (not for 24V) | 2 |
| 7 | 416513 | * COVER - rear | 1 |
| 8 | 416511 | * HOLDER - brush (not for 24V) | 1 |
| 9 | 416512 | ** SPRING - brush | 4 |
| 10 | 416510 | ** BRUSH (not for 24V) | 2 |
| 11 | 558897 | * SCREW - cover | 2 |
| 12 | 511161TKA | * BOLT - thru, cover | 2 |
| 13 | 416518 | * PINION - assembly | 1 |
| 14 | 416519 | ** SHAFT - pinion | 1 |
| 15 | 772833 | ** RETAINER | 1 |
| 16 | 416520 | ** CLUTCH - assembly | 1 |
| 17 | 416521 | *** BEARING - ball | 1 |
| 18 | 772834 | *** BEARING - ball | 1 |
| 19 | 412156 | ** STOPPER - pinion | 1 |
| 20 | 416514 | * CASE - cover | 1 |
| 21 | 416515 | * SOLENOID (12V) | 1 |
| 22 | 416516 | * LEVER | 1 |
| 23 | 416517TKA | * COVER - dust | 1 |
| 24 | 558898 | SCREW - starter | 2 |

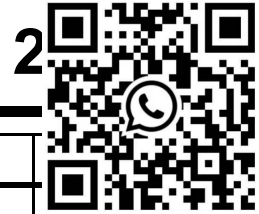
NOTE: See grid 212B9 for 24 volt starter.

204G4



GASKET SET (TK486 series)



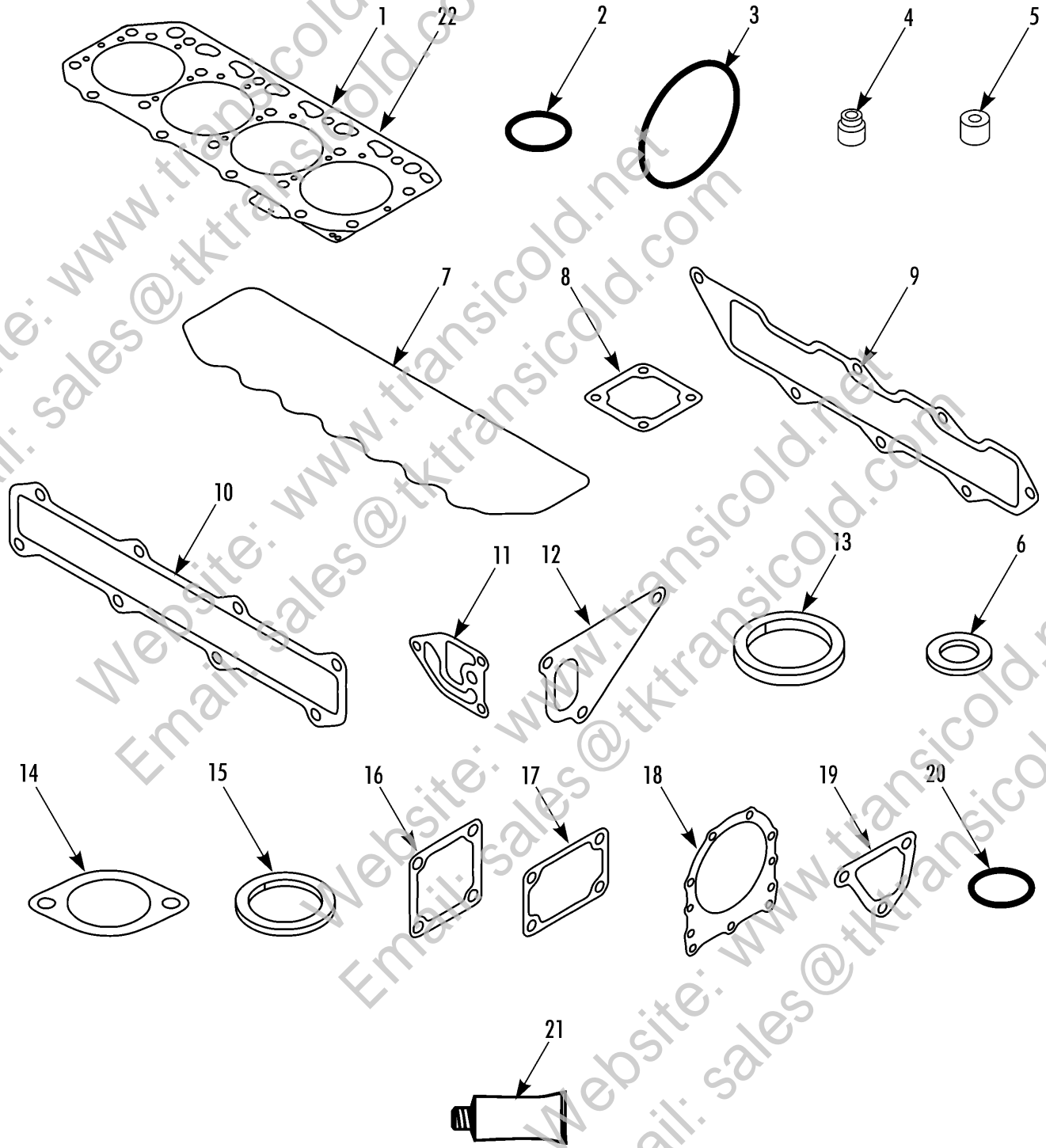
Revised
04/18/16**GASKET SET (TK486 series)**

| REF | PART NO. | DESCRIPTION | |
|-----|-----------|---|----|
| | 300336 | KIT - gasket set | |
| 1 | 335056 | * GASKET - cylinder head (all 2200 rpm engine & 2600 rpm engines built before 3/08) | 1 |
| 2 | 333098 | * GASKET | 1 |
| 3 | 331953 | * O-RING - fuel injection pump | 1 |
| 4 | 118935 | * SEAL - valve stem (exhaust) | 4 |
| | 118934 | * SEAL - valve stem (intake) | 4 |
| 5 | 130341TKA | * PROTECTOR - nozzle | 4 |
| 6 | 116707 | * GASKET - copper (nozzle seat) | 4 |
| 7 | 130340 | * GASKET - valve cover | 1 |
| 8 | 332764 | * GASKET | 1 |
| 9 | 332936 | * GASKET - intake manifold | 1 |
| 10 | 332937 | * GASKET - exhaust manifold | 1 |
| 11 | 332931 | * GASKET | 1 |
| 12 | 333096 | * GASKET - water pump | 1 |
| 13 | 331745 | * WASHER - sealing (16) | 1 |
| | 333833TKA | * WASHER - sealing (10) | 2 |
| | 554622TKA | * WASHER - sealing (8) | 12 |
| 14 | 332767 | * GASKET | 1 |
| 15 | 332768 | * GASKET | 1 |
| 16 | 332765 | * GASKET - air heater | 1 |
| 17 | 332934TKA | * GASKET - flange | 1 |
| 18 | 332969 | * GASKET - oil seal case | 1 |
| 19 | 333097 | * GASKET - thermostat case | 1 |
| 20 | 333512 | * O-RING (12.0) | 3 |
| | 333821TKA | * O-RING (16.0) | 2 |
| | 334089TKA | * O-RING (20.0) | 1 |
| | 334090 | * O-RING (31.5) | 1 |
| | 331954 | * O-RING (32.0) | 3 |
| | 332762TKA | * O-RING (50.0) | 1 |

204G4

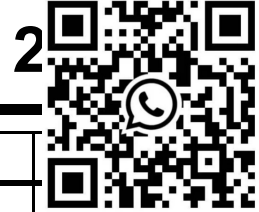


GASKET SET (TK486 series)



Revised
04/18/16

GASKET SET (TK486 series)



| REF | PART NO. | DESCRIPTION | |
|-----|----------|--|---|
| 21 | 2030348 | * GASKET - adhesive (RTV silicone) | |
| 22 | 334517 | GASKET - cylinder head (2600 rpm engines built after 3/08) | 1 |

Website: www.transicold.net
 Email: sales@tktransicold.com

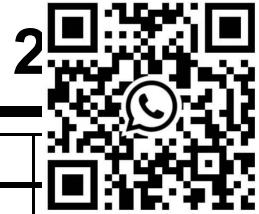
Website: www.transicold.net
 Email: sales@tktransicold.com

Website: www.transicold.net
 Email: sales@tktransicold.com

Website: www.transicold.net
 Email: sales@tktransicold.com

Revised
12/14/16

FUEL FILTER & HOSES

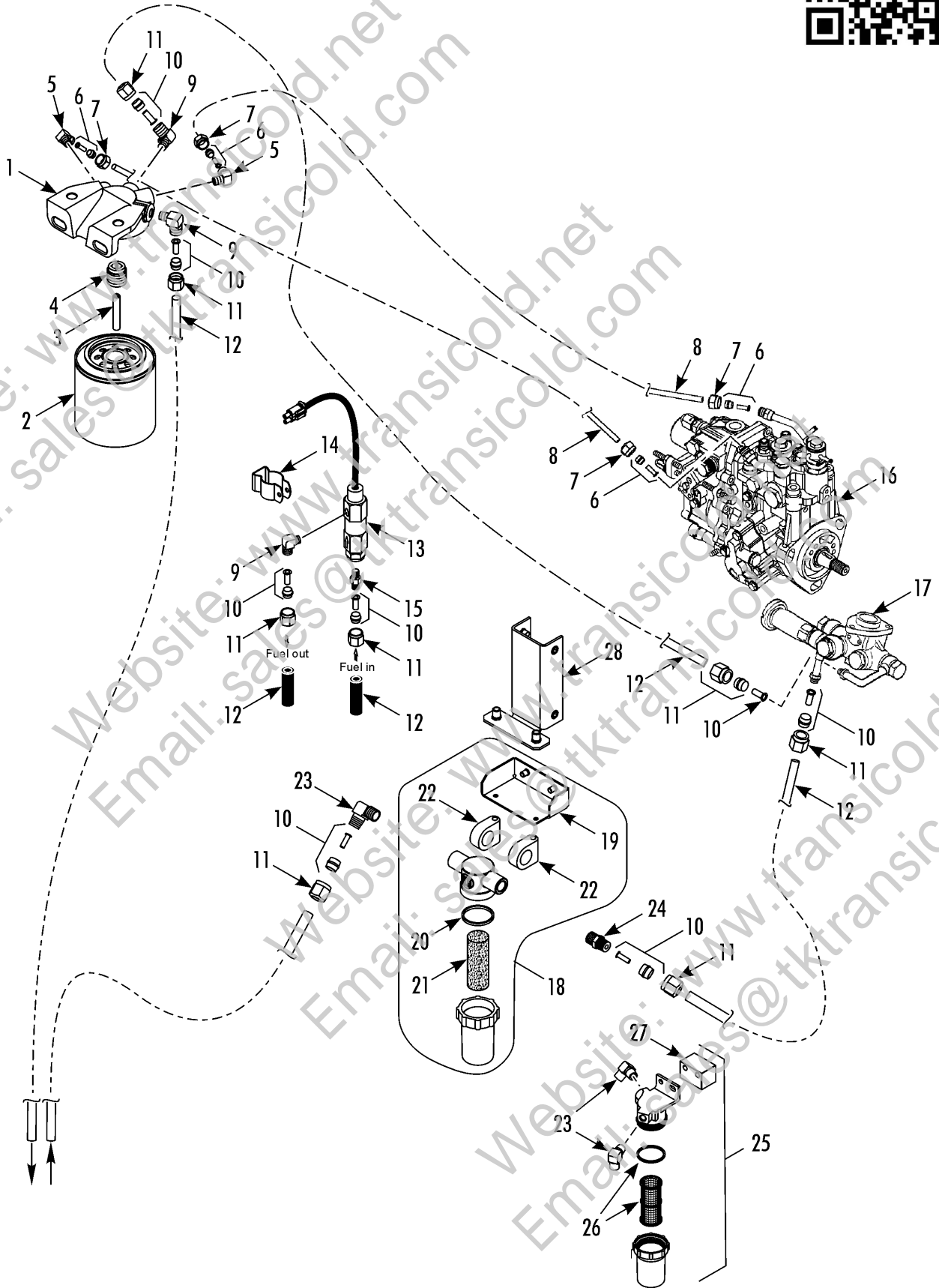


| REF | PART NO. | DESCRIPTION | |
|-----|-----------|--------------------------------|-----|
| 1 | 119015 | HEAD - fuel filter | |
| | 553490 | SCREW - base | 2 |
| | 554954 | NUT - base | 2 |
| | 552958 | FLATWASHER | 2 |
| 2 | 119342 | FILTER - fuel (EMI 3000) | 1 |
| 3 | 119016 | SHAFT - water bleed | 1 |
| 4 | 119017 | SPUD - fuel filter | 1 |
| | 2030393 | SEALER - thread | A/R |
| 5 | 115320TKA | ELBOW (1/4) | 2 |
| 6 | 100243 | KIT - sleeve & eyelet (1/4) | 4 |
| 7 | 114841 | NUT (1/4) | 4 |
| 8 | 114367 | HOSE (1/4 od x 35 ft lg) | A/R |
| 9 | 114380 | ELBOW - hose fitting (3/8) | 2 |
| 10 | 100242 | KIT - sleeve & eyelet (3/8) | 8 |
| 11 | 114941 | NUT (3/8) | 8 |
| 12 | 114372 | HOSE (3/8 od x 35 ft lg) | A/R |
| 13 | 421405 | HEATER - fuel | 1 |
| 14 | 910960TKA | CLAMP - heater | 1 |
| | 552977 | SCREW - clamp | 2 |
| | 554953 | NUT | 2 |
| | 552959 | LOCKWASHER | 2 |
| 15 | 554515 | CONNECTOR - hose fitting (3/8) | 1 |
| 16 | 1010362 | PUMP - injection (see 204G2) | 1 |
| 17 | 117433 | PUMP - fuel (see 142F3) | 1 |
| 18 | 100426 | STRAINER - fuel (complete) | 1 |
| 19 | 928254 | * BRACKET - fuel strainer | 1 |
| 20 | 334458 | * GASKET - fuel strainer | 1 |
| 21 | 130973 | * SCREEN - fuel strainer | 1 |
| 22 | 910372TKA | * CLAMP - tube | 2 |
| | 553462 | * SCREW | 2 |

222G8

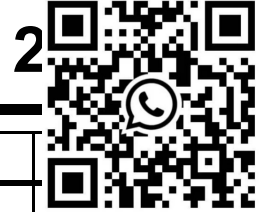


FUEL FILTER & HOSES



Revised
12/14/16

FUEL FILTER & HOSES

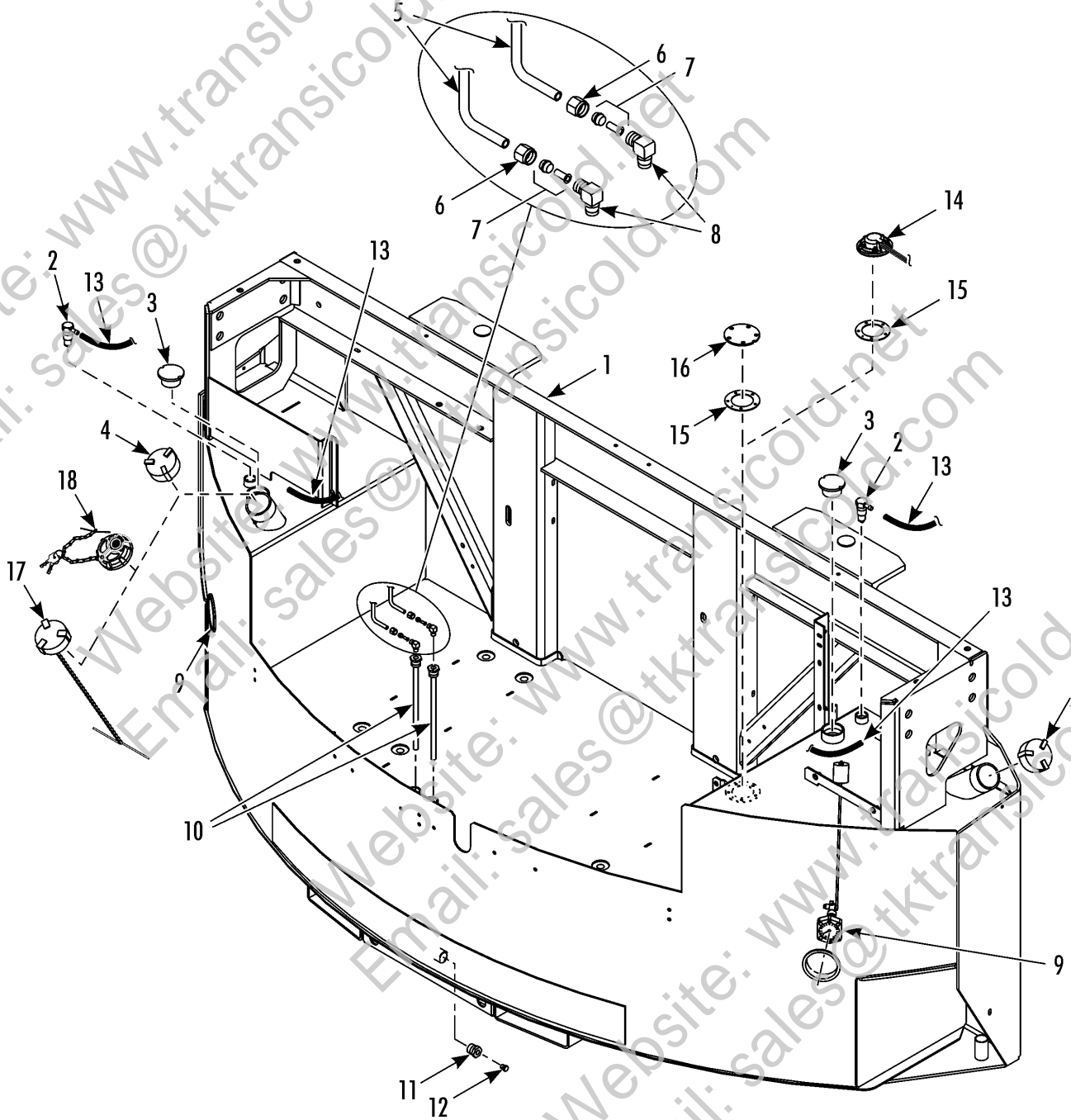


| REF | PART NO. | DESCRIPTION | |
|-----|-----------|---------------------------|-----|
| | 552086 | * FLATWASHER | |
| | 551800TKA | * LOCKWASHER | 2 |
| 23 | 114959 | ELBOW | A/R |
| 24 | 115437 | CONNECTOR | 1 |
| 25 | 100436 | KIT - fuel strainer | 1 |
| 26 | 100458 | * KIT - strainer & o-ring | 1 |
| 27 | 988621 | * SPACER | 1 |
| | 551417 | * SCREW - spacer | 2 |
| | 550402 | * FLATWASHER | 4 |
| | 555078 | * NUT | 2 |
| 28 | 927710 | BRACKET - fuel strainer | 1 |
| | 553623 | SCREW | 4 |
| | 552964 | LOCKWASHER | 4 |
| | 552001 | FLATWASHER | 4 |
| | 558752 | INSERT | 4 |

130G3



FUEL TANK GROUP (SGCO)



Revised
01/13/14

FUEL TANK GROUP (SGCO)

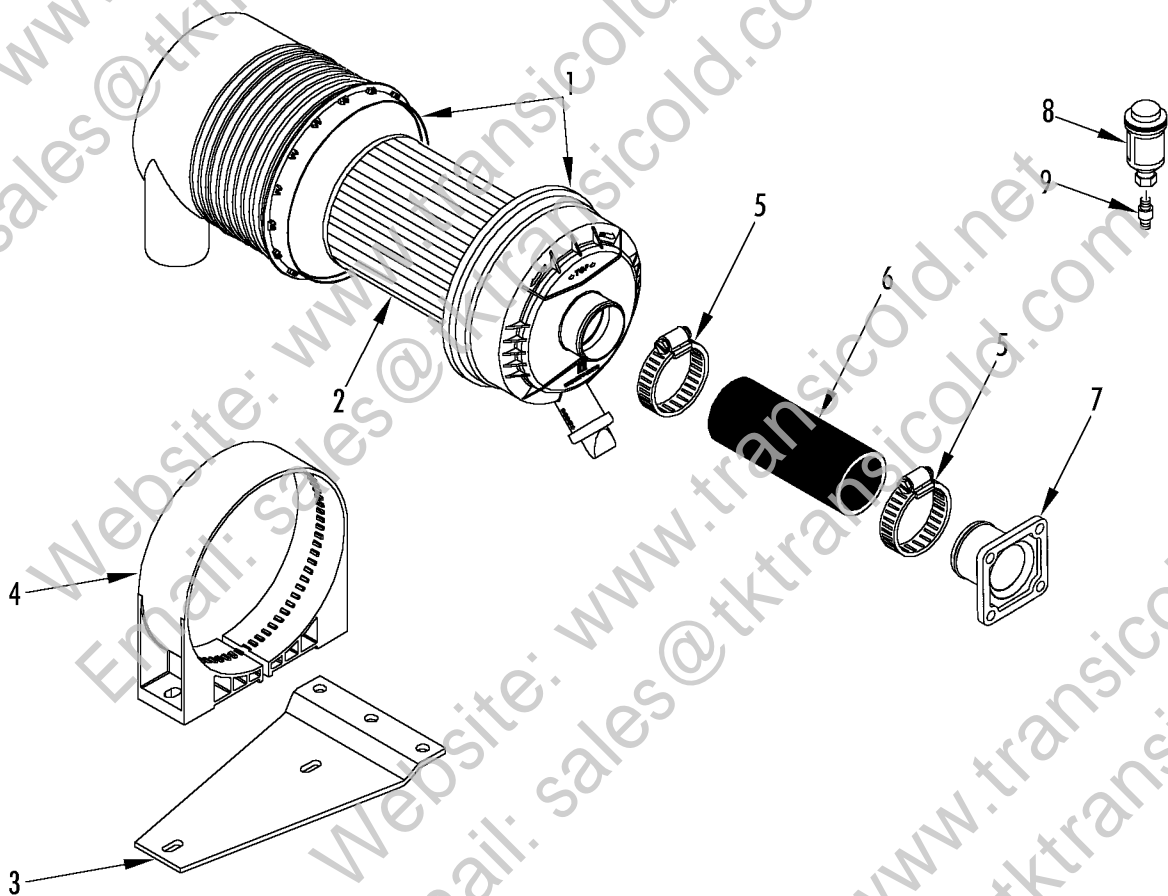


| REF | PART NO. | DESCRIPTION | |
|-----|-----------|---|-----|
| 1 | NSS | TANK - fuel (see Structural Component grid) | |
| 2 | 555617 | VENT | 2 |
| 3 | 118719 | PLUG - fuse | 2 |
| 4 | 118048 | CAP - fuel tank (steel) | 2 |
| | 130946 | CAP - fuel tank (aluminum) | 2 |
| 5 | 114372 | HOSE (3/8 od x 35 ft lg) | A/R |
| 6 | 114941 | NUT - hose fitting (3/8) | 2 |
| 7 | 100242 | KIT - sleeve & eyelet (3/8) | 2 |
| 8 | 114380 | ELBOW (3/8) | 2 |
| 9 | 118718 | GAUGE - fuel | 2 |
| | 119594 | * DIAL - gauge | 1 |
| | 330781 | * O-RING - fuel gauge | 1 |
| 10 | 118887 | TUBE - fuel feed | 2 |
| 11 | 552313 | BALL - check | 1 |
| 12 | 553364 | PLUG - pipe | 1 |
| 13 | 980876 | HOSE - vent (16.0 lg) | A/R |
| 14 | 401129 | SENSOR - fuel level | 1 |
| 15 | 333878 | GASKET - fuel sensor | 1 |
| 16 | 927236 | COVER - fuel sensor | 1 |
| | 551510TKA | SCREW - sensor/cover | 5 |
| | 550431 | LOCKWASHER | 5 |
| | 551511 | FLATWASHER | 5 |
| 17 | 130934 | CAP - fuel tank (aluminum, tethered) | 2 |
| 18 | 118053 | CAP - fuel tank (locking) | 2 |

208C6

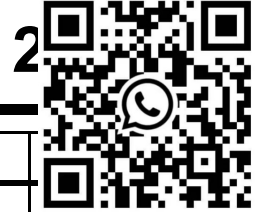


AIR CLEANER GROUP



Revised
10/04/07

AIR CLEANER GROUP

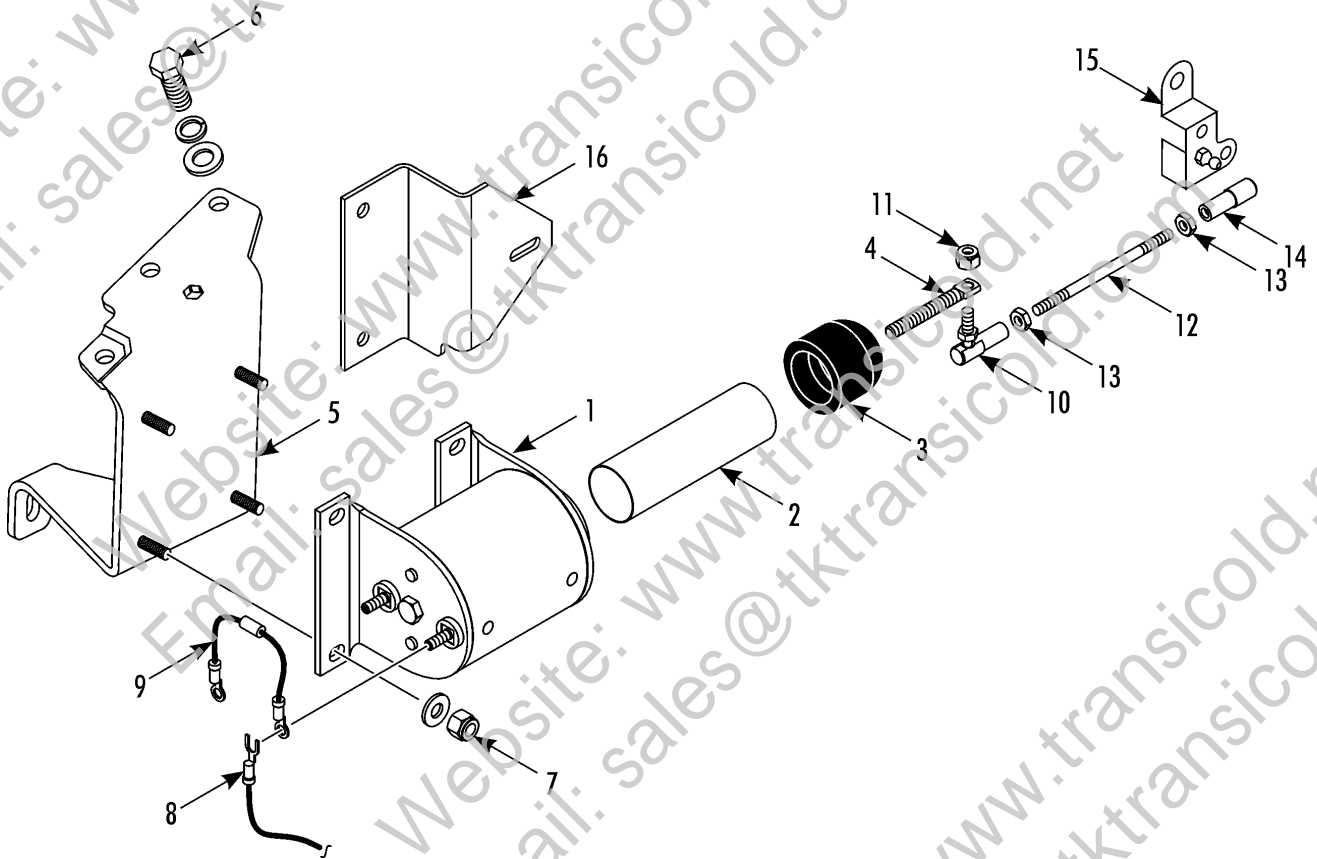


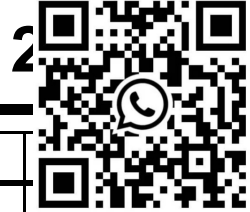
| REF | PART NO. | DESCRIPTION | |
|-----|----------|-------------------------------------|-----|
| 1 | 119299 | CLEANER - air | |
| 2 | 119300 | * ELEMENT - air cleaner | 1 |
| | 555022 | SCREW - adapter | 2 |
| | 552958 | FLATWASHER | 2 |
| | 552959 | LOCKWASHER | 2 |
| 3 | 923341 | BRACKET - air cleaner | 1 |
| | 925254 | BRACKET - air cleaner (Maersk blue) | 1 |
| | 553305 | SCREW - bracket | 2 |
| | 552958 | FLATWASHER | 2 |
| | 552959 | LOCKWASHER | 2 |
| | 2030400 | SEALER - thread | A/R |
| 4 | 920861 | CLAMP - air cleaner | 1 |
| | 553490 | SCREW - clamp | 2 |
| | 552959 | LOCKWASHER | 2 |
| | 552958 | FLATWASHER | 2 |
| | 552114 | NUT | 2 |
| 5 | 559568 | CLAMP - hose | 2 |
| 6 | 130657 | HOSE - air cleaner | 1 |
| 7 | 119266 | INLET - intake manifold (see 204F7) | 1 |
| 8 | 117757 | INDICATOR - air restriction | 1 |
| 9 | 117828 | FITTING - indicator | 1 |

201E6



THROTTLE SOLENOID GROUP (TK48 series)



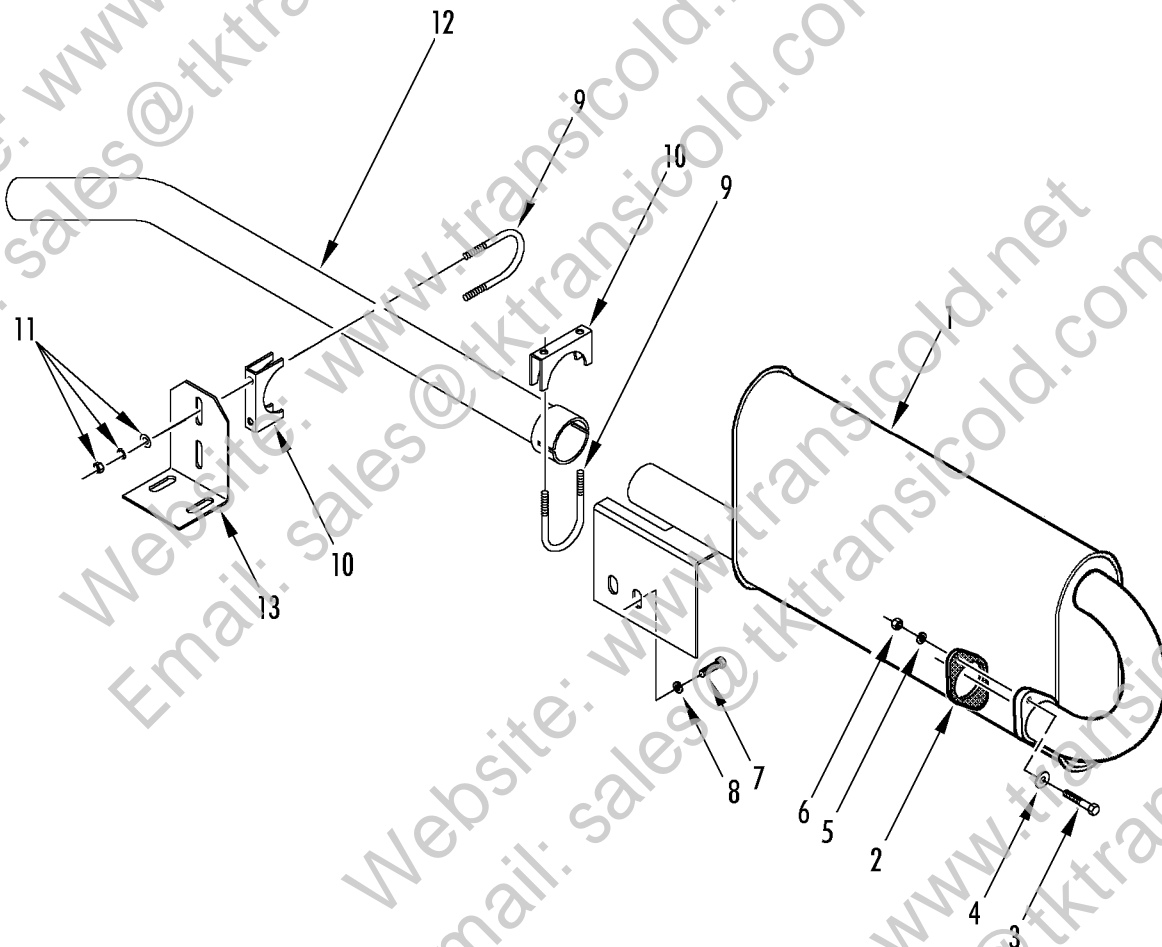
Revised
07/28/17**THROTTLE SOLENOID GROUP (TK486
series)**

| REF | PART NO. | DESCRIPTION | |
|-----|-----------|---|-----|
| 1 | 411566 | SOLENOID - throttle | |
| | 449181 | * SOLENOID (less plunger & eye bolt) | 1 |
| 2 | 448198 | * PLUNGER | 1 |
| | 2040475 | * GREASE - plunger | A/R |
| 3 | 913095 | * BOOT - plunger | 1 |
| 4 | 552762 | * BOLT - eye | 1 |
| | 551533 | * NUT | 1 |
| | 551800TKA | * LOCKWASHER | 1 |
| 5 | 927051 | BRACKET - solenoid | 1 |
| 6 | 555022 | SCREW - bracket | 4 |
| | 550790 | LOCKWASHER | 4 |
| | 554613 | FLATWASHER | 4 |
| 7 | 554118 | NUT - solenoid | 4 |
| | 550411 | FLATWASHER | 4 |
| 8 | 445087 | TERMINAL - solenoid (part of main harness) | 1 |
| 9 | 442756 | DIODE | 1 |
| | 2030436 | SEALER - diode | A/R |
| | 550346 | NUT - harness & diode | 4 |
| | 552996 | LOCKWASHER (internal tooth) | 4 |
| | 550401 | FLATWASHER | 4 |
| 10 | 118014 | JOINT - solenoid to rod (socket & ball) | 1 |
| 11 | 555292 | NUT | 1 |
| 12 | 923865 | ROD - speed control | 1 |
| 13 | 552752 | NUT | 2 |
| 14 | 130383 | JOINT - rod to lever (socket only) | 1 |
| 15 | 130836 | LEVER - injection control | 1 |
| 16 | 930709 | BRACKET - speed control (interim tier 4 engine) | 1 |

158B9

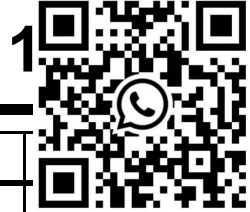


MUFFLER GROUP



Revised
09/26/05

MUFFLER GROUP

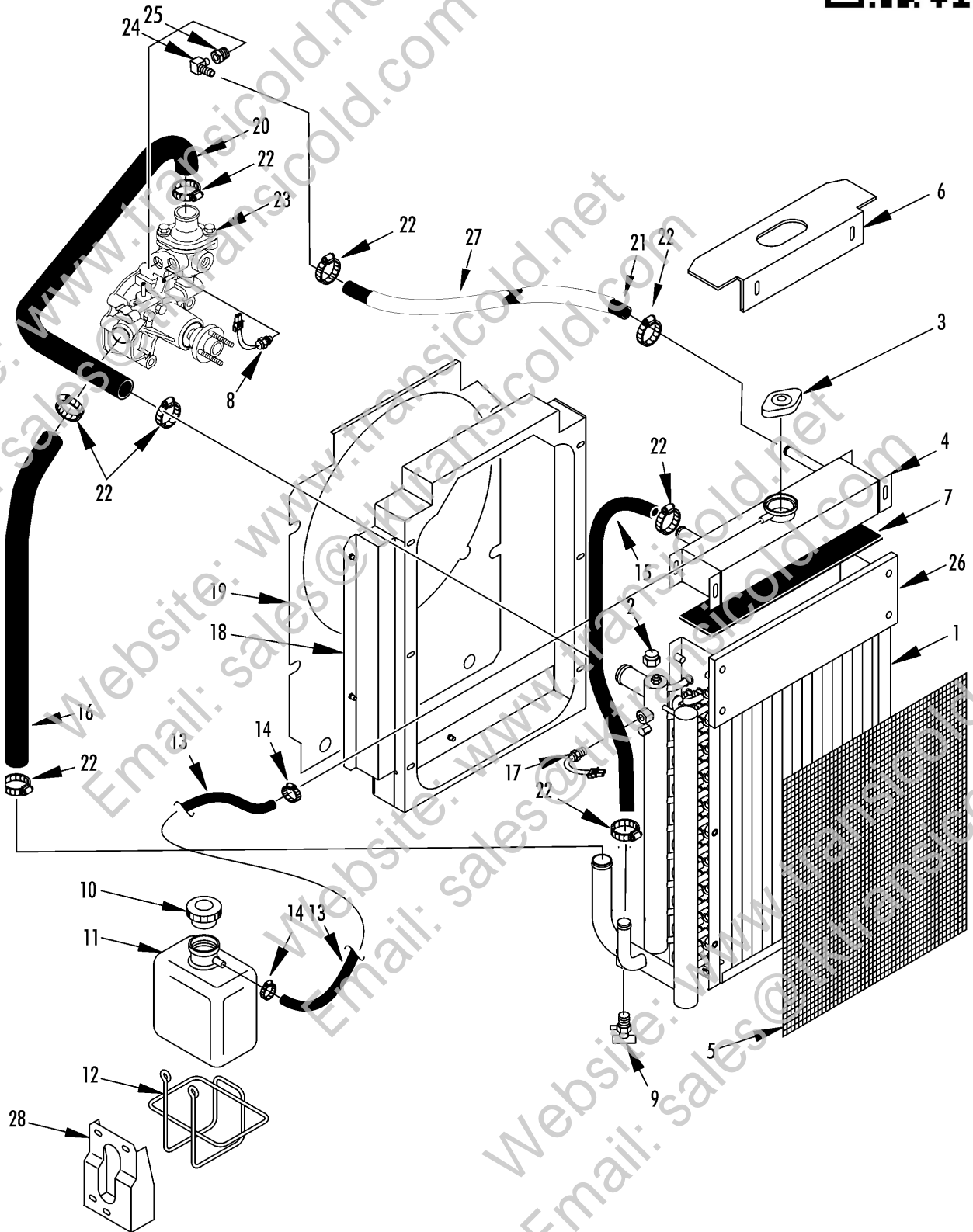


| REF | PART NO. | DESCRIPTION | |
|-----|-----------|--------------------------------------|---|
| 1 | 120800TKA | MUFFLER | |
| 2 | 332314 | GASKET - muffler | 1 |
| 3 | 553089 | SCREW - muffler | 2 |
| 4 | 552958 | FLATWASHER | 4 |
| 5 | 552959 | LOCKWASHER | 2 |
| 6 | 552114 | NUT | 2 |
| 7 | 555022 | SCREW - muffler | 2 |
| 8 | 552958 | LOCKWASHER | 2 |
| 9 | 917234 | U-BOLT | 2 |
| 10 | 917233 | SADDLE - u-bolt | 2 |
| 11 | 552086 | FLATWASHER | 4 |
| | 551800TKA | LOCKWASHER | 4 |
| | 553472 | LOCKNUT | 4 |
| 12 | 119286 | TUBE - exhaust | 1 |
| 13 | 920256TKA | BRACKET - exhaust tube | 1 |
| | 925265 | BRACKET - exhaust tube (Maersk blue) | 1 |
| | 552977 | SCREW - bracket | 2 |
| | 552086 | FLATWASHER | 4 |
| | 554953 | LOCKNUT | 2 |

223G8

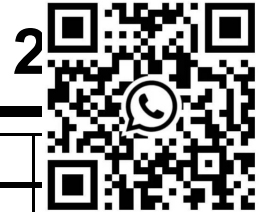


ENGINE COOLING SYSTEM



Revised
01/16/17

ENGINE COOLING SYSTEM

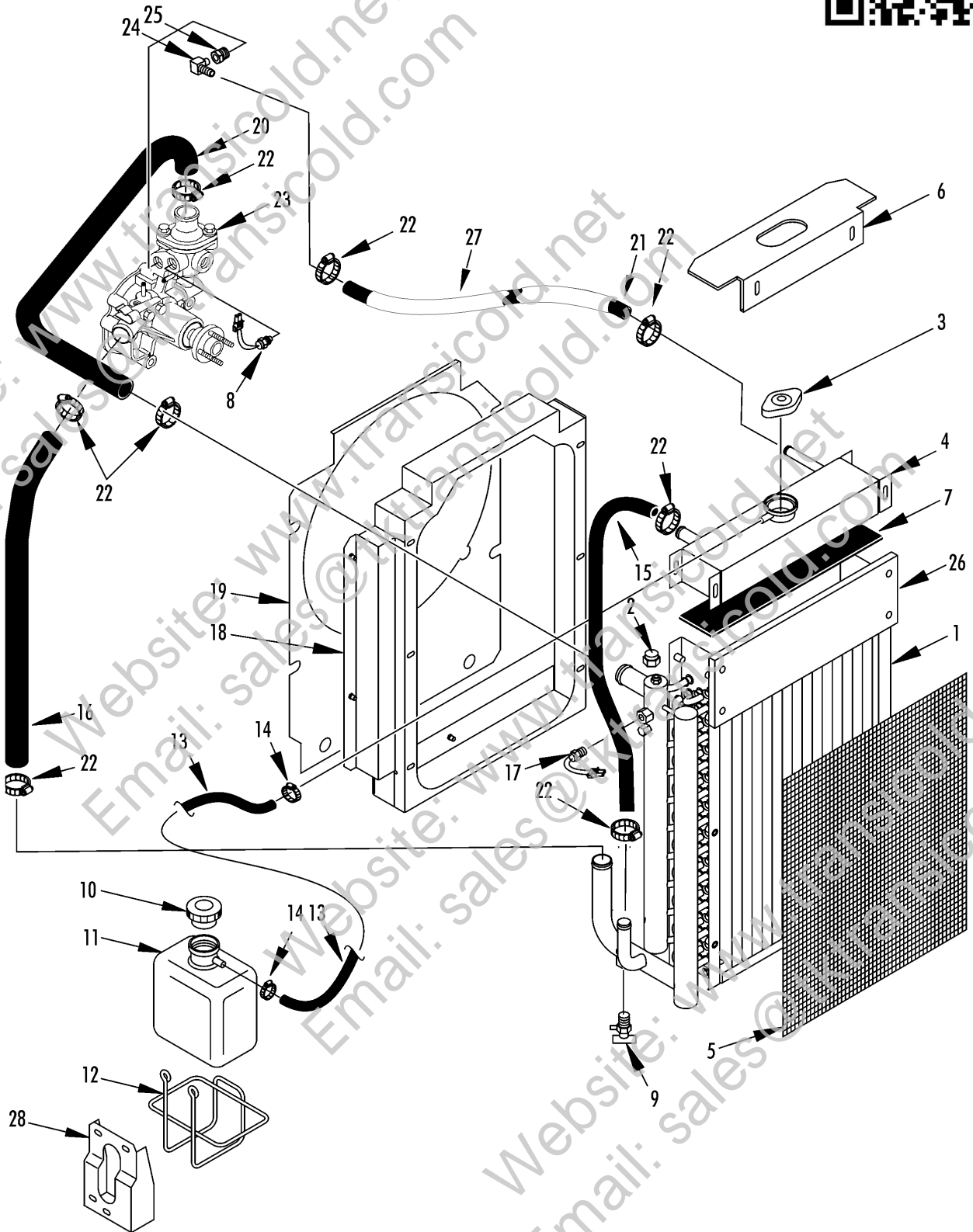


| REF | PART NO. | DESCRIPTION | |
|-----|-----------|--|-----|
| 1 | 120799 | RADIATOR | |
| 2 | 551983 | * CAP - vent | 1 |
| 3 | 118913 | CAP - radiator | 1 |
| 4 | 118888 | TANK - expansion | 1 |
| | 553021 | SCREW - tank | 4 |
| | 551800TKA | LOCKWASHER | 4 |
| | 552086 | FLATWASHER | 4 |
| 5 | 926417 | SCREEN - radiator | 1 |
| 6 | 925258 | BRACKET - overflow tank | 1 |
| 7 | 917782 | PAD - radiator (top) | 1 |
| 8 | 416539 | SENSOR - water temperature | 1 |
| 9 | 559011 | COCK - drain (radiator) | 1 |
| 10 | 998301 | CAP & CHAIN - overflow tank (see 119E11) | 1 |
| 11 | 114607 | TANK - overflow | 1 |
| 12 | 114693 | HANGER - overflow tank | 1 |
| | 551587 | SCREW - hanger | 2 |
| | 552086 | FLATWASHER | 2 |
| | 554953 | NUT | 2 |
| | 980771 | HOSE - overflow (25 ft) | A/R |
| 14 | 552796 | CLAMP - hose | 2 |
| 15 | 118891 | HOSE - outlet | 1 |
| 16 | 119525 | HOSE - engine to radiator | 1 |
| 17 | 411818 | SENSOR - water level | 1 |
| 18 | 985711 | SHROUD - radiator | 1 |
| 19 | 985723 | ORIFICE - radiator | 1 |
| | 552995 | SCREW - orifice | 6 |
| | 554740 | FLATWASHER | 6 |
| 20 | 119524 | HOSE - radiator to engine (top) | 1 |
| | 121095 | HOSE - EPDM (3/8 x 25 ft) | A/R |
| 22 | 555400 | CLAMP - hose | 8 |

223G8

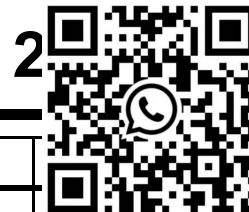


ENGINE COOLING SYSTEM



Revised
01/16/17

ENGINE COOLING SYSTEM

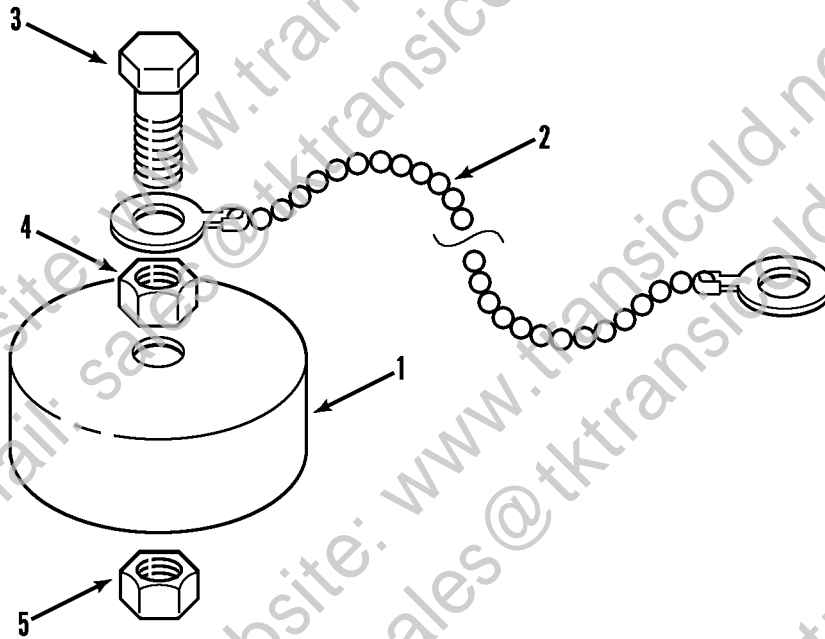


| REF | PART NO. | DESCRIPTION | |
|-----|-----------|--|---|
| 23 | 132268 | PUMP - water (ELC compatible, see 204F0) | |
| 24 | 558653 | ELBOW | 1 |
| 25 | 552539 | BUSHING | 1 |
| | 2030400 | SEALANT | 1 |
| 26 | 926416 | BRACKET - radiator (front) | 1 |
| 27 | 130950TKA | SLEEVING - insulating | 1 |
| 28 | 917217 | BRACKET - overflow tank | 1 |
| | 552977 | SCREW | 4 |
| | 552086 | FLATWASHER | 8 |
| | 554953 | LOCKNUT | 4 |

119E11



CAP & CHAIN (overflow tank)



Revised
12/07/12

CAP & CHAIN (overflow tank)



11

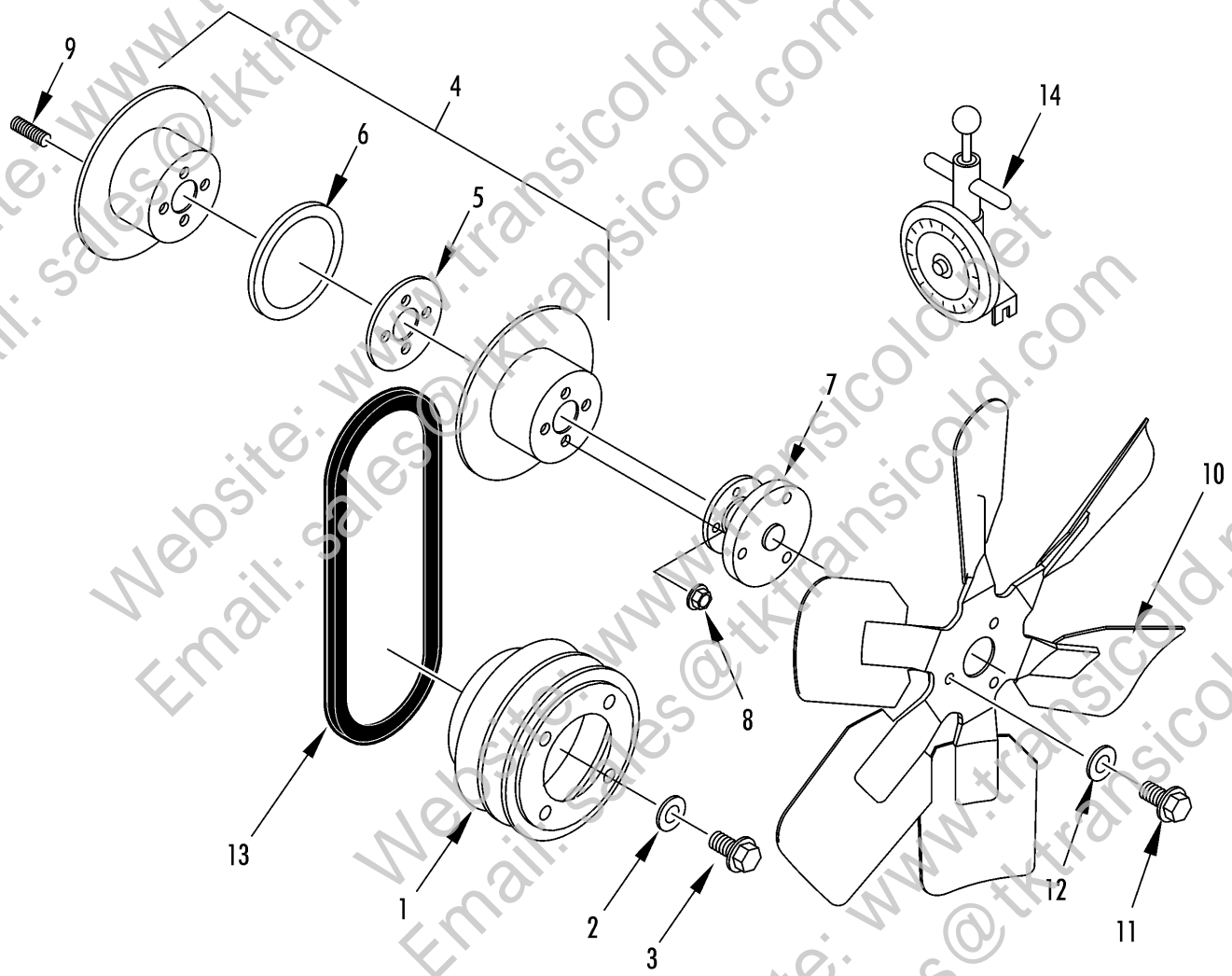


| REF | PART NO. | DESCRIPTION | |
|-----|----------|-----------------------------|---|
| 1 | 998301 | CAP & CHAIN - overflow tank | |
| | 114665 | * CAP | 1 |
| 2 | 993685 | * CHAIN | 1 |
| 3 | 552991 | * SCREW - chain | 1 |
| 4 | 552965 | * NUT | 1 |
| 5 | 554560 | * NUT (hexstop) | 1 |

208C7

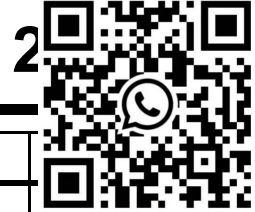


BELT, PULLEYS & FAN



Revised
06/10/16

BELT, PULLEYS & FAN

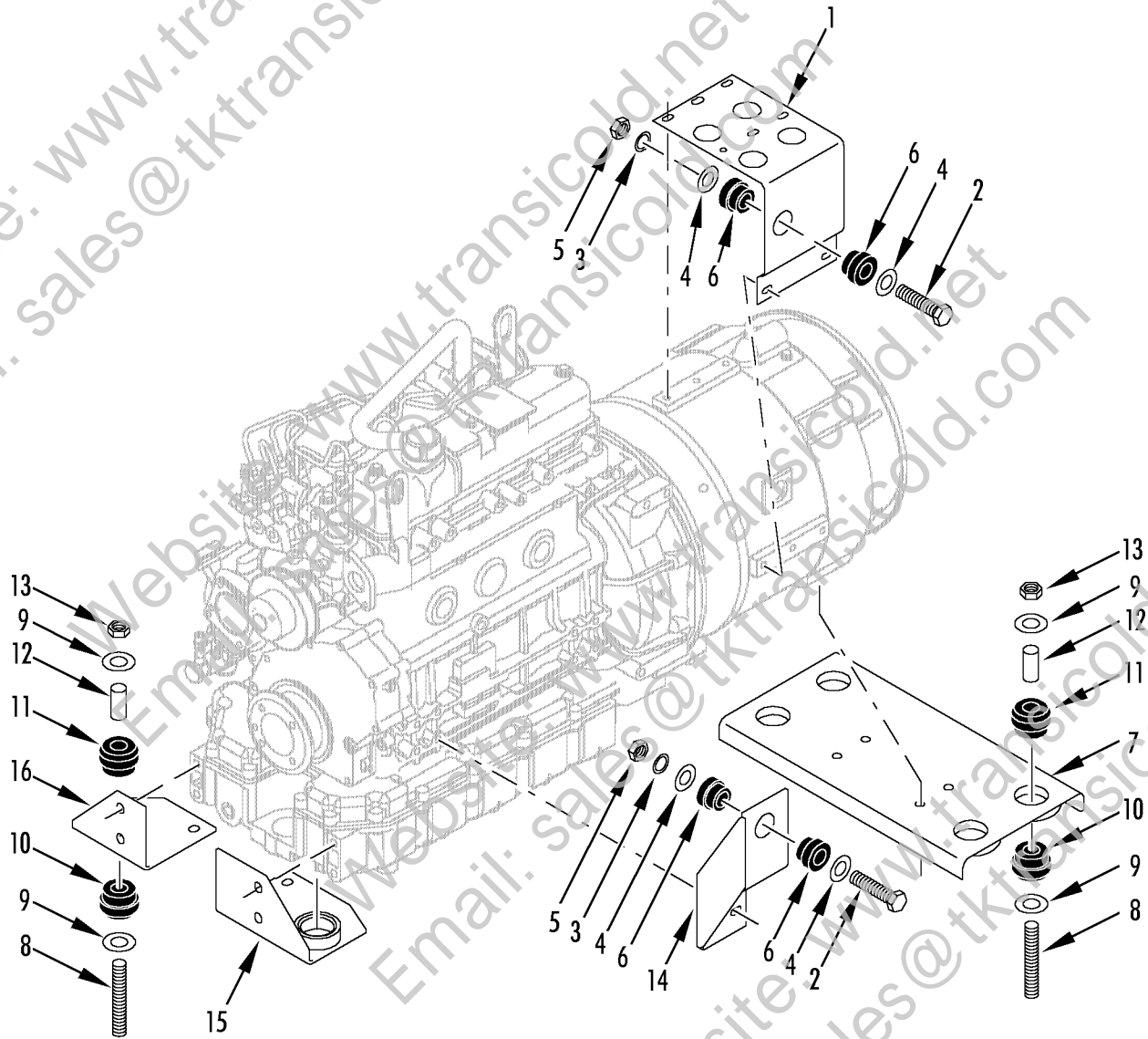


| REF | PART NO. | DESCRIPTION | |
|-----|-----------|--|-----|
| 1 | 130353 | PULLEY - crankshaft (see 204F6) | |
| 2 | 556249 | WASHER | 1 |
| 3 | 556250 | SCREW - pulley | 1 |
| 4 | 130358 | PULLEY - water pump (see 204F0) | 1 |
| 5 | 771427 | * SHIM - (1 mm) | A/R |
| | 772752 | * SHIM - (0.5 mm) | A/R |
| 6 | 771428 | * SPACER | 1 |
| 7 | 900331TKA | KIT - fan spacer | 1 |
| 8 | 555792 | * NUT | 4 |
| 9 | 559828 | * STUD - fan spacer (water pump, 5 mm longer than std) | 4 |
| 10 | 780618 | FAN - radiator | 1 |
| 11 | 553834 | SCREW - fan (CGCO & SGCO) | 3 |
| | 556764 | SCREW - fan (CGSM, SGSM, CGCM & SGCM) | 3 |
| 12 | 552959 | LOCKWASHER | 3 |
| 13 | 781340 | BELT - fan & water pump | 1 |
| 14 | 2040427 | GAUGE - belt tension | 1 |

209C3

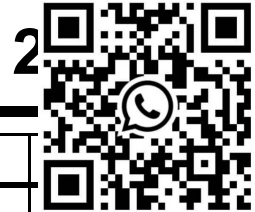


ENGINE MOUNTING



Revised
09/21/12

ENGINE MOUNTING

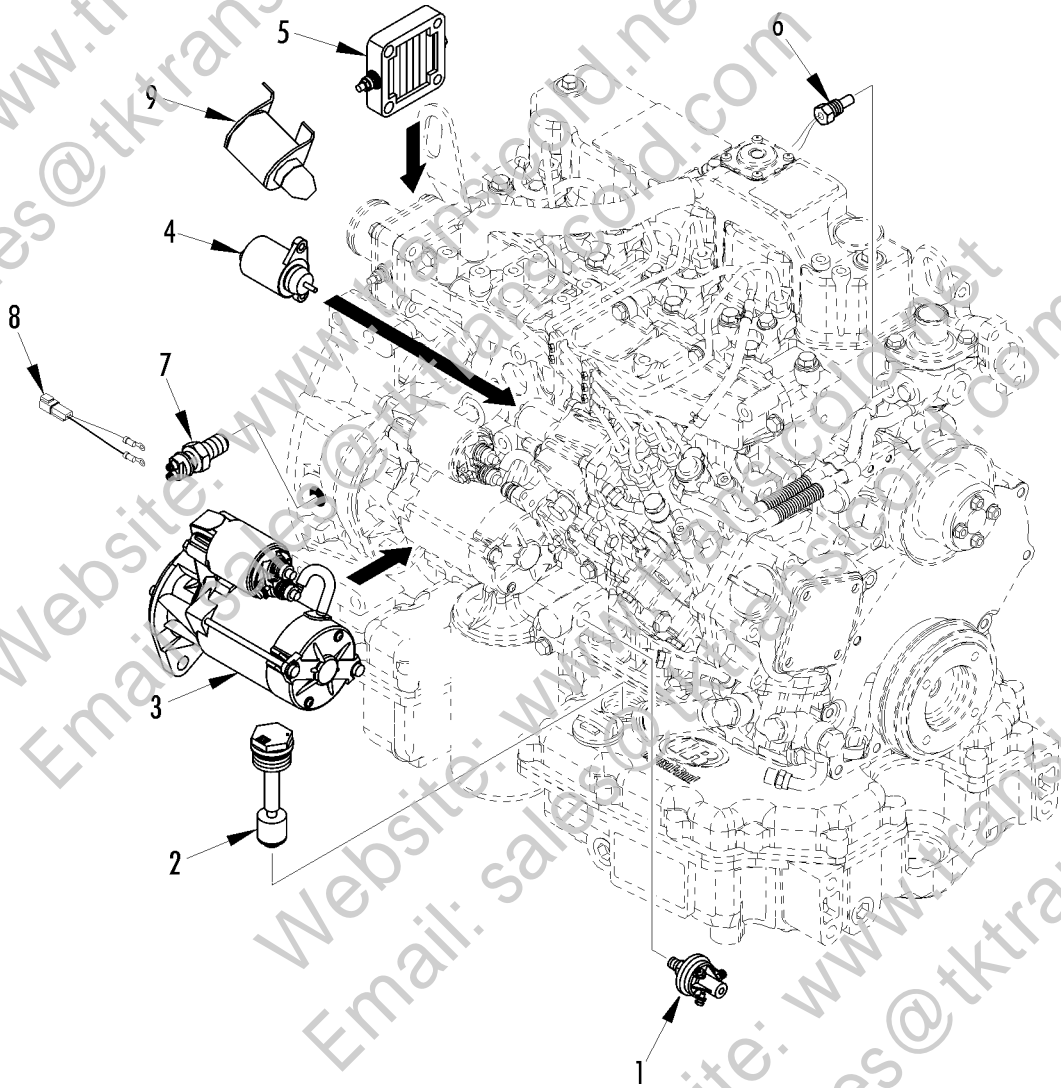


| REF | PART NO. | DESCRIPTION | |
|-----|-----------|---|----|
| 1 | 920226TKA | BRACKET - generator (rear) | |
| | 925252 | BRACKET - generator (rear, Maersk blue) | 1 |
| | 552963 | SCREW - bracket | 4 |
| | 552958 | FLATWASHER | 4 |
| | 552959 | LOCKWASHER | 4 |
| 2 | 552557 | SCREW - frame | 2 |
| 3 | 552038 | FLATWASHER | 2 |
| 4 | 553595 | WASHER - special | 4 |
| 5 | 554952 | NUT | 2 |
| 6 | 993649 | MOUNT - vibration | 2 |
| 7 | 985826 | BRACKET - generator (bottom) | 1 |
| | 557412 | SCREW - generator bracket | 4 |
| | 558337 | LOCKWASHER | 4 |
| | 556999 | FLATWASHER | 4 |
| 8 | 556814 | STUD - power pack | 6 |
| 9 | 553512 | WASHER - special | 12 |
| 10 | 991433 | MOUNT - vibration | 6 |
| 11 | 991916 | MOUNT - vibration | 6 |
| 12 | 991642 | SPACER | 6 |
| 13 | 555205 | NUT | 6 |
| 14 | 920225TKA | BRACKET - engine | 1 |
| | 925253 | BRACKET - engine (Maersk blue) | 1 |
| 15 | 915700TKA | BRACKET - engine (rear) | 1 |
| | 925249 | BRACKET - engine (rear, Maersk blue) | 1 |
| 16 | 915699TKA | BRACKET - engine (front) | 1 |
| | 925250 | BRACKET - engine (front, Maersk blue) | 1 |
| | 557730 | SCREW - engine bracket | 8 |
| | 557123 | WASHER - belleville (3/8, ss) | 8 |

209C4

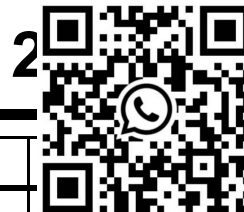


ENGINE ELECTRICAL COMPONENTS



Revised
04/19/14

ENGINE ELECTRICAL COMPONENTS

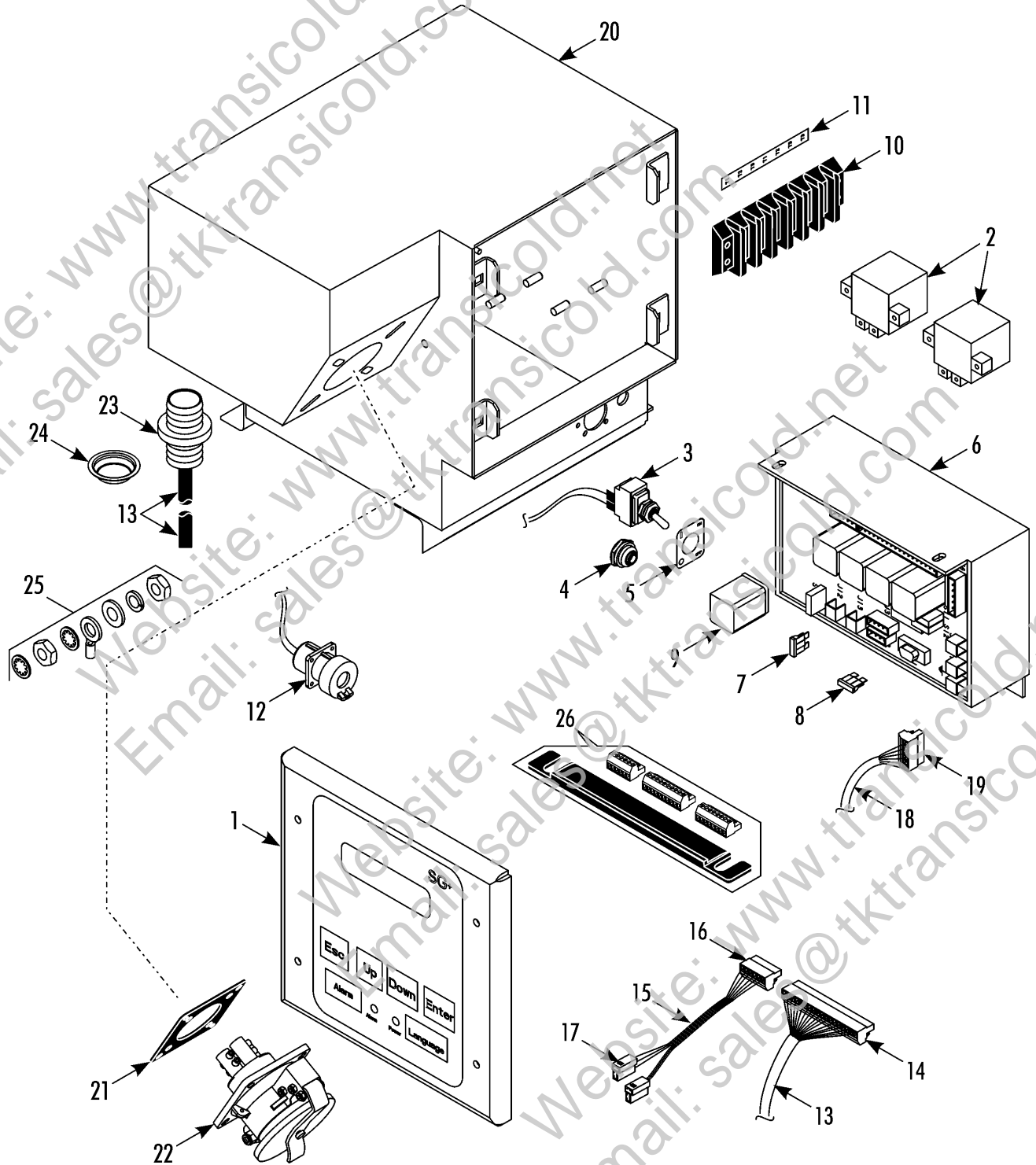


| REF | PART NO. | DESCRIPTION | |
|-----|----------|-----------------------------|---|
| 1 | 418283 | SWITCH - oil pressure | |
| 2 | 414470 | SWITCH - oil level | 1 |
| | 334160 | * O-RING - switch | 1 |
| 3 | 452177 | STARTER | 1 |
| 4 | 420100 | SOLENOID - stop (see 204G2) | 1 |
| 5 | 412147 | HEATER - air (see 204F7) | 1 |
| 6 | 416539 | SENSOR - water temperature | 1 |
| 7 | 449298 | SENSOR - rpm | 1 |
| 8 | 412704 | HARNESS - sensor | 1 |
| 9 | 449181 | SOLENOID - speed | 1 |

222G7

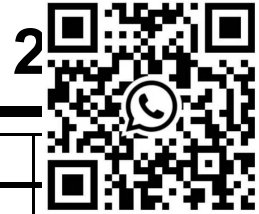


CONTROL BOX SG+ 3000



Revised
01/16/15

CONTROL BOX SG+ 3000



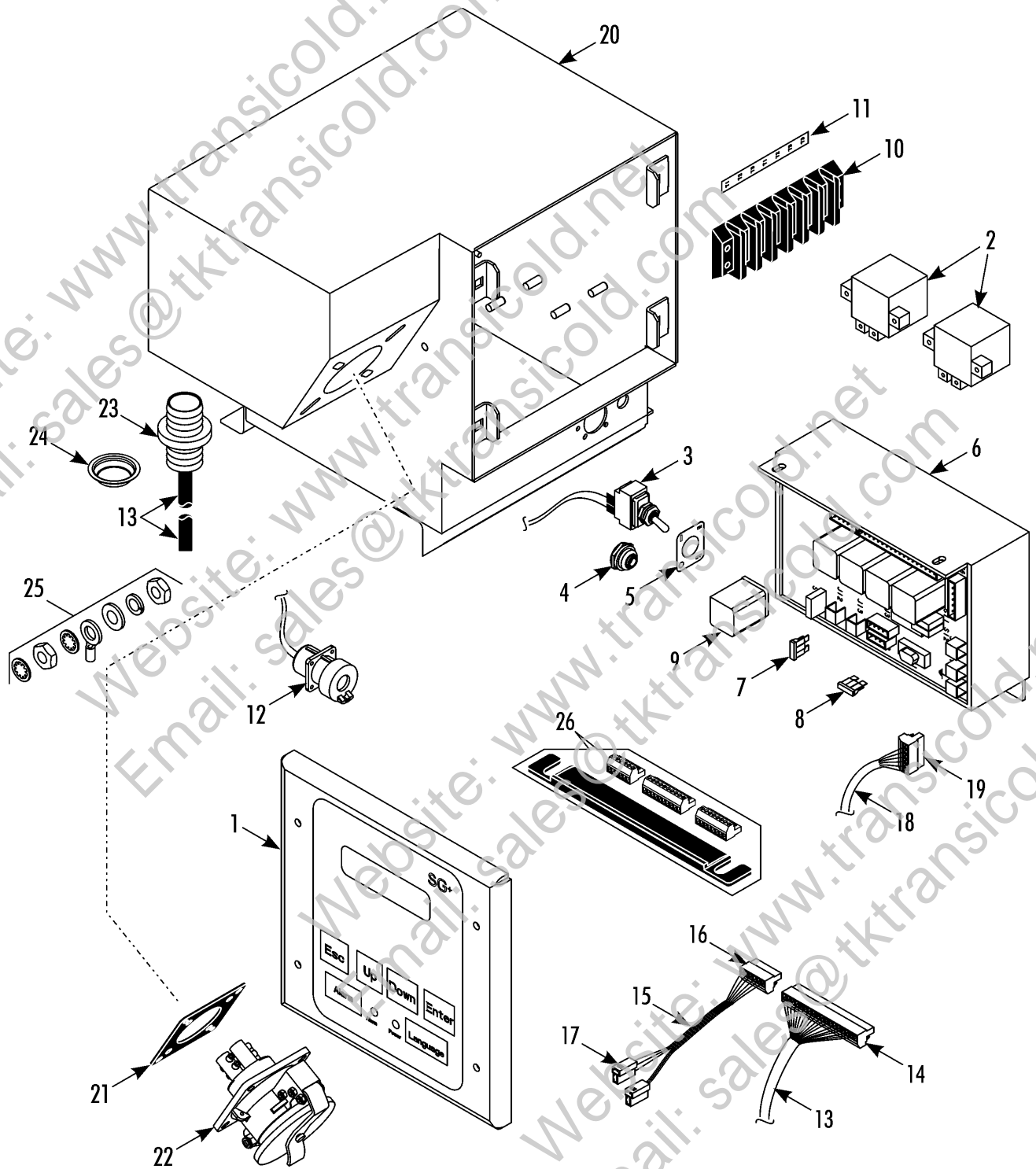
| REF | PART NO. | DESCRIPTION | |
|-----|-----------|------------------------------|---|
| 1 | 417841 | KEYPAD & DOOR | |
| | 931061 | * KEYPAD | 1 |
| | 928090 | DOOR (less keypad) | 1 |
| | 554526 | NUT - captive | 4 |
| 2 | 417836 | RELAY - power | 2 |
| 3 | 417835 | HARNESS - switch | 1 |
| | 441196 | * SWITCH - on/off | 1 |
| 4 | 440739 | BOOT - switch | 1 |
| 5 | 997642 | NAMEPLATE- on/off | 1 |
| 6 | 452554 | CONTROLLER -SG+ 3000 | 1 |
| | 452554 | CONTROLLER - SG 3000 | 1 |
| 7 | 449758 | * FUSE - (10A) | 1 |
| 8 | 411771 | * FUSE - (30A) | 2 |
| 9 | 417904 | * RELAY | 5 |
| | 554953 | NUT - controller | 4 |
| | 552086 | FLATWASHER | 4 |
| 10 | 449282 | BOARD TERMINAL (6 terminals) | 1 |
| 11 | 910860TKA | MARKSTRIP | 1 |
| 12 | 413064 | HARNESS - download | 1 |
| | 412406 | CAP | 1 |
| 13 | 417941 | HARNESS - main | 1 |
| 14 | 413608 | * CONNECTOR - plug (18-pin) | 1 |
| 15 | 417838 | HARNESS - relay | 1 |
| 16 | 5040843 | * CONNECTOR - plug (6-pin) | 1 |
| 17 | 445219 | * CONNECTOR - relay | 2 |
| 18 | 417839 | HARNESS - exciter | 1 |
| 19 | 417842 | CONNECTOR - plug (5-pin) | 1 |
| 20 | 987816 | BOX - control | 1 |

NOTE: Controller 845-2185 for old gensets only. Controller 45-2554 is compatible with both old and new gensets.

222G7

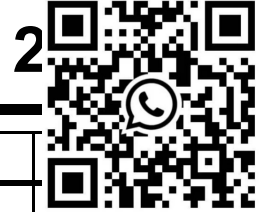


CONTROL BOX SG+ 3000



Revised
01/16/15

CONTROL BOX SG+ 3000



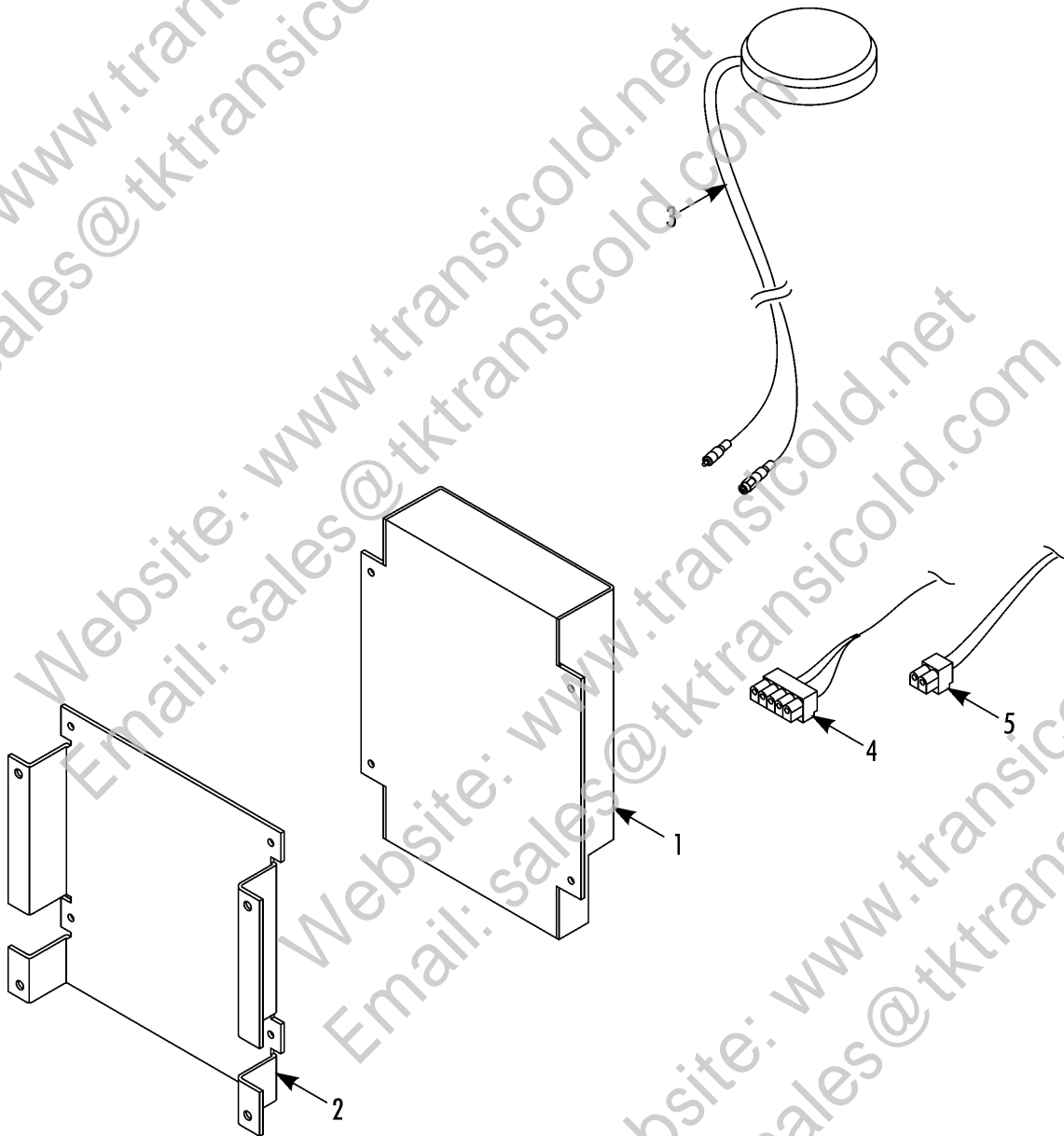
| REF | PART NO. | DESCRIPTION | |
|-----|----------|--|---|
| 21 | 333168 | GASKET - receptacle | |
| 22 | 413404 | RECEPTACLE - 460 V | 1 |
| 23 | 553539 | FITTING - barb | 1 |
| | 331056 | O-RING | 1 |
| | 552636 | NUT - fitting | 1 |
| 24 | 511648 | PLUG - button | 1 |
| 25 | 552965 | NUT - ground | 2 |
| | 552996 | LOCKWASHER (int tooth) | 2 |
| | 552964 | LOCKWASHER | 1 |
| | 552001 | FLATWASHER | 1 |
| 26 | 401197 | KIT - connectors (J1 & J4, replaces items 14 & 16) | 1 |

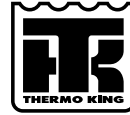
NOTE: Controller 845-2185 for old gensets only. Controller 45-2554 is compatible with both old and new gensets.

271C6



COMPOSITE MODULE (OPTIONAL)



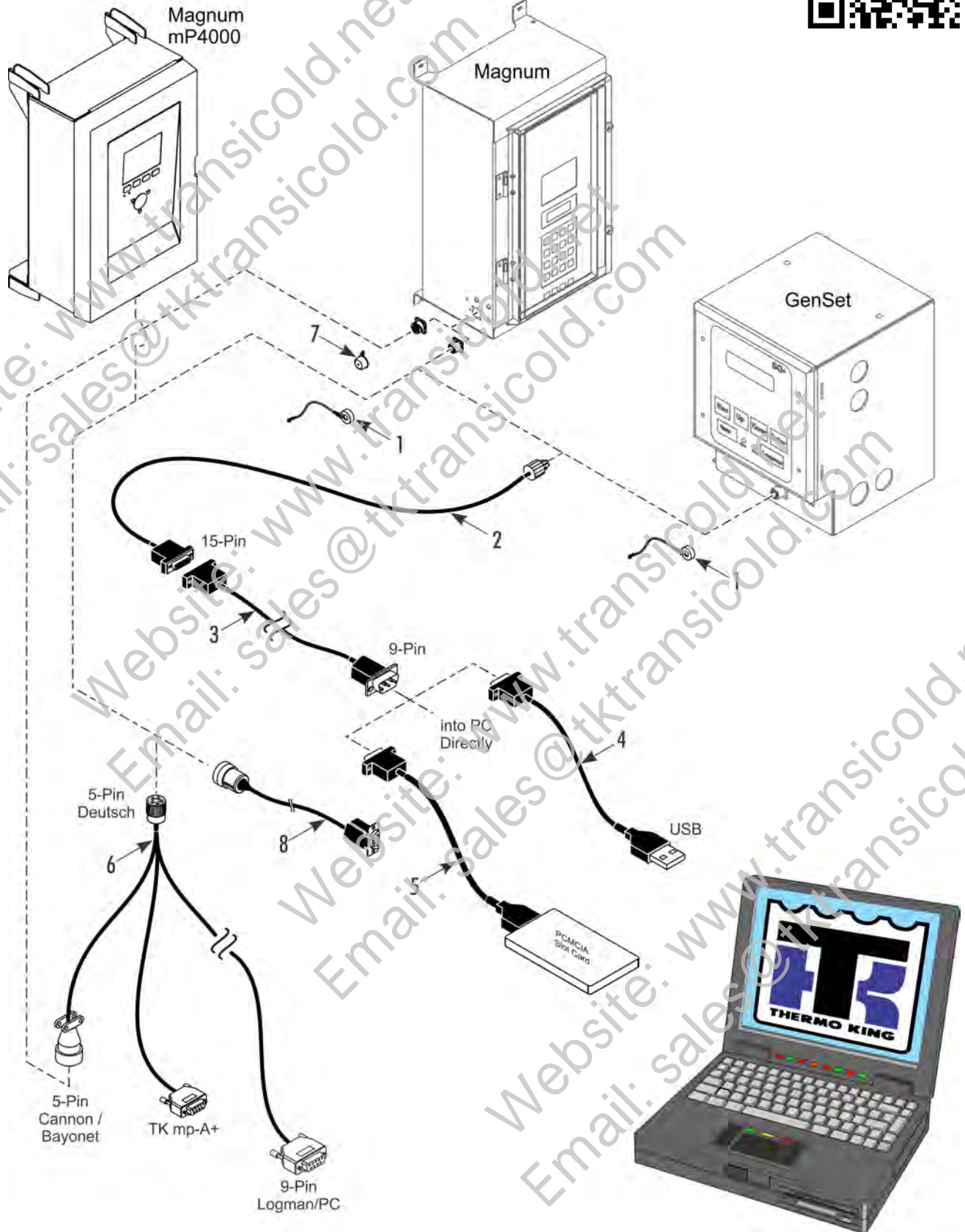
Revised
10/02/13**COMPOSITE MODULE (OPTIONAL)**

| REF | PART NO. | DESCRIPTION | |
|-----|----------|-----------------------|---|
| 1 | 421244 | MODULE - composite | |
| 2 | 931160 | BRACKET - module | 1 |
| 3 | 421243 | ANTENNA (w/ cable 3M) | 1 |
| 4 | 421190 | HARNESS - RS485 | 1 |
| 5 | 421191 | HARNESS - power | 1 |

226E2

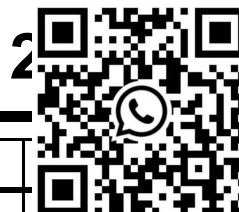


DOWNLOAD CABLES



Revised
06/02/16

DOWNLOAD CABLES

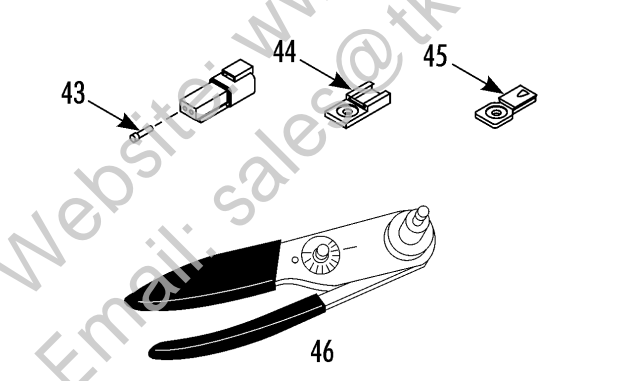
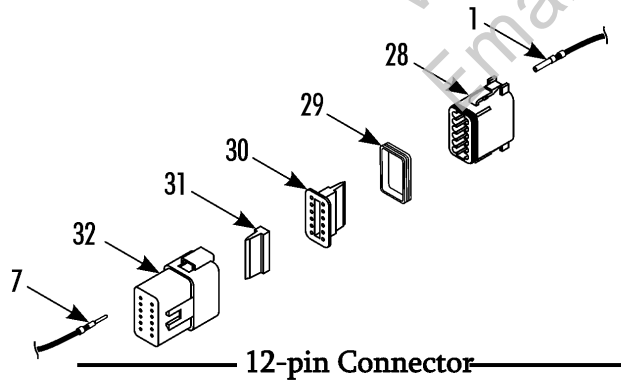
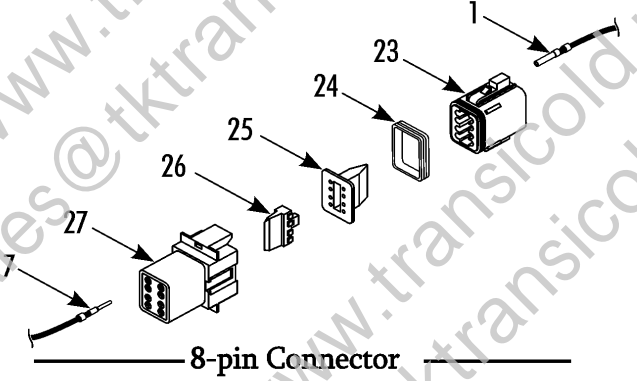
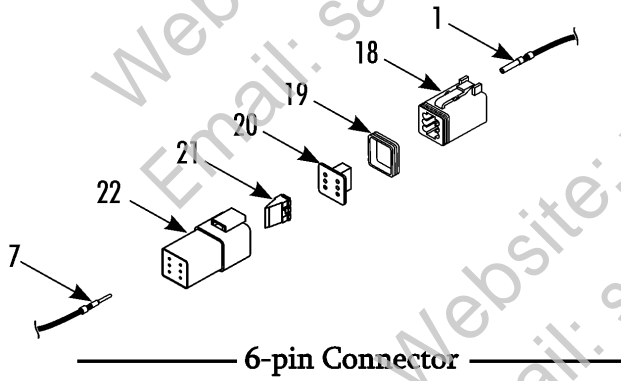
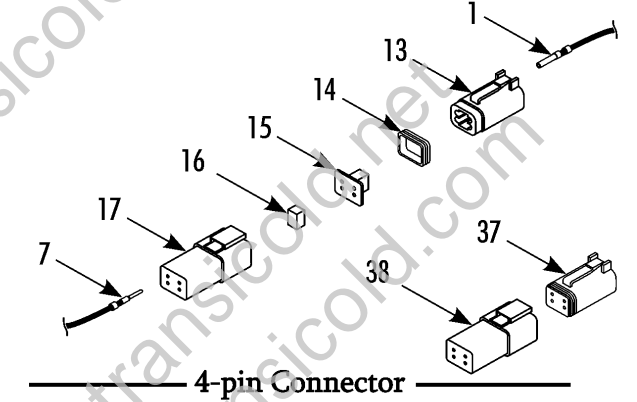
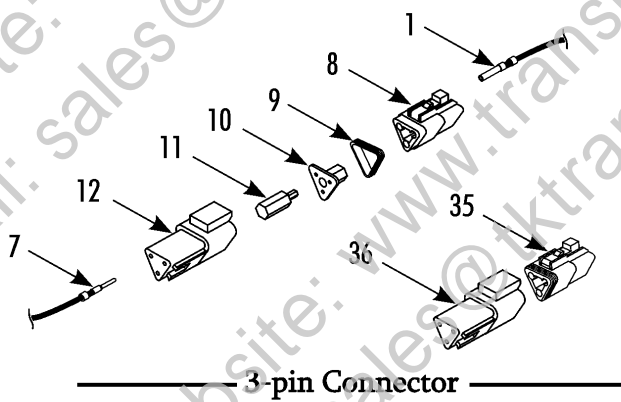
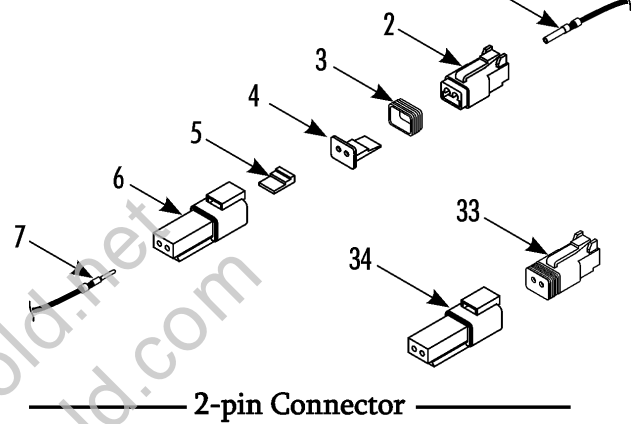
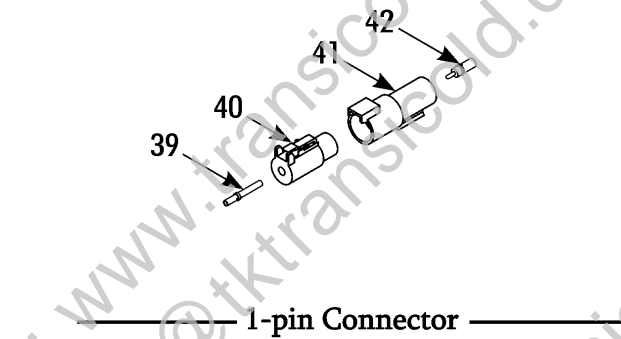


| REF | PART NO. | DESCRIPTION | |
|-----|----------|---|---|
| 1 | 412406 | CAP - dust (5-pin Deutsch) | |
| | 993685 | CHAIN - cap | 1 |
| 2 | 2040918 | CABLE - data (5-pin to 15-pin D connectors) | 1 |
| | 2040974 | CABLE - data (5-pin bayonet to 15-pin D connectors) | 1 |
| | 2040975 | CABLE - data (5-pin threaded to 15-pin D) | 1 |
| 3 | 449417 | CABLE - data (15-pin D connector, 9-pin D PC, 20 ft) | 1 |
| | 449418 | CABLE - data (15-pin D connector, 9-pin D PC, 50 ft) | 1 |
| 4 | 420575 | ADAPTER - serial port to USB | 1 |
| 5 | N-A | ADAPTER - 9-pin D PC to PC card (see service bulletin C061) | 1 |
| 6 | 418065 | CABLE - download (5 pin to USB) | 1 |
| 7 | 413588 | CAP - dust (5-pin) | 1 |
| 8 | 2041040 | CABLE - download (9 pin to 5 pin) | 1 |

112D9

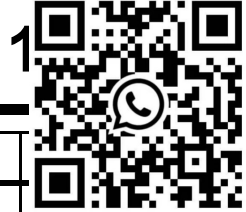


DEUTSCH IN-LINE CONNECTORS



Revised
05/31/15

DEUTSCH IN-LINE CONNECTORS

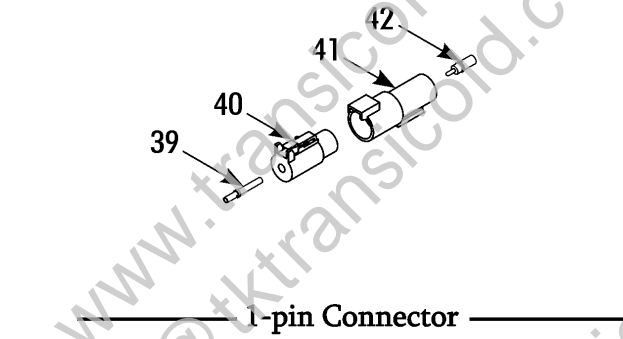


| REF | PART NO. | DESCRIPTION | |
|-----|----------|---------------------------------------|---|
| 1 | 449700 | TERMINAL - socket (w/ 6-in wire lead) | |
| | 449587 | TERMINAL - socket (without wire) | 2 |
| 2 | 449585 | PLUG (2-pin, w/ seal) | 1 |
| 3 | 332392 | SEAL | 1 |
| 4 | 449586 | WEDGE | 1 |
| 5 | 449590 | WEDGE | 1 |
| 6 | 449589 | RECEPTACLE (2-pin) | 1 |
| 7 | 449701 | TERMINAL - pin (w/ 6-in wire lead) | 2 |
| | 449591 | PIN - terminal (w/o wire) | 2 |
| 8 | 449631 | CONNECTOR (3-pin, w/ seal) | 1 |
| 9 | 332393 | SEAL | 1 |
| 10 | 449536 | WEDGE | 1 |
| 11 | 449545 | WEDGE | 1 |
| 12 | 449544 | RECEPTACLE (3-pin) | 1 |
| 13 | 448935 | PLUG (4-pin, w/ seal) | 1 |
| 14 | 332394 | SEAL | 1 |
| 15 | 448936 | WEDGE | 1 |
| 16 | 448913 | WEDGE | 1 |
| 17 | 448915 | RECEPTACLE (4-pin) | 1 |
| 18 | 448920 | CONNECTOR (6-pin, w/ seal) | 1 |
| 19 | 332395 | SEAL | 1 |
| 20 | 448921 | WEDGE | 1 |
| 21 | 448917 | WEDGE | 1 |
| 22 | 448914 | CONNECTOR (6-pin) | 1 |
| 23 | 449903 | PLUG (8-pin, w/ seal) | 1 |
| 24 | 332396 | SEAL | 1 |
| 25 | 449902 | WEDGE | 1 |
| 26 | 449901 | WEDGE | 1 |
| 27 | 449900 | RECEPTACLE (8-pin) | 1 |
| 28 | 449600 | PLUG (12-pin, w/ seal) | 1 |

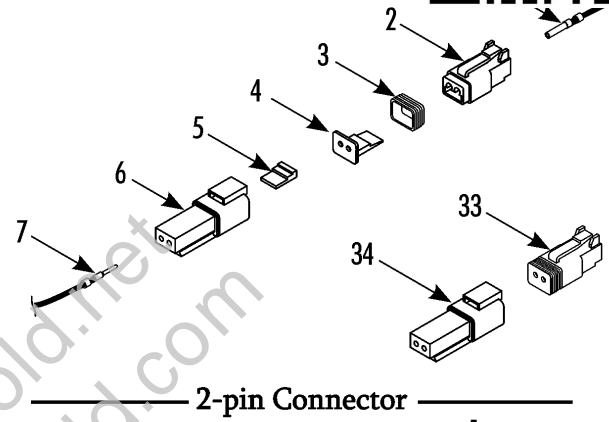
112D9



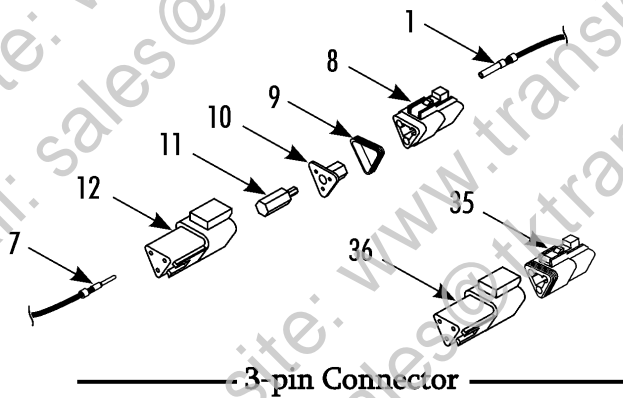
DEUTSCH IN-LINE CONNECTORS



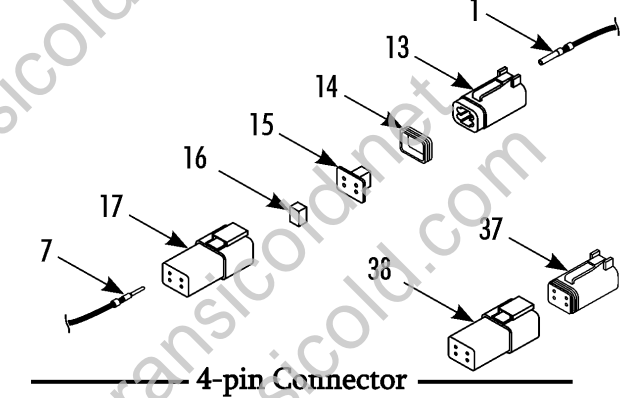
1-pin Connector



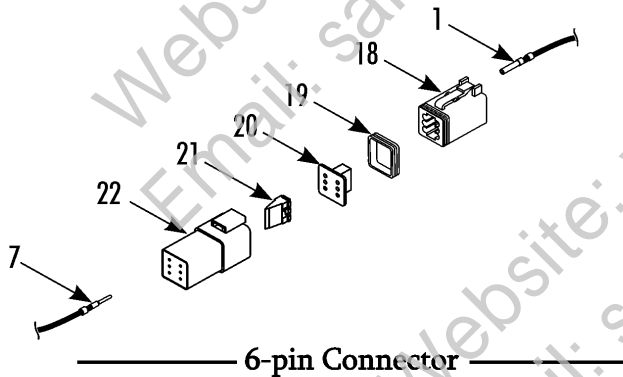
2-pin Connector



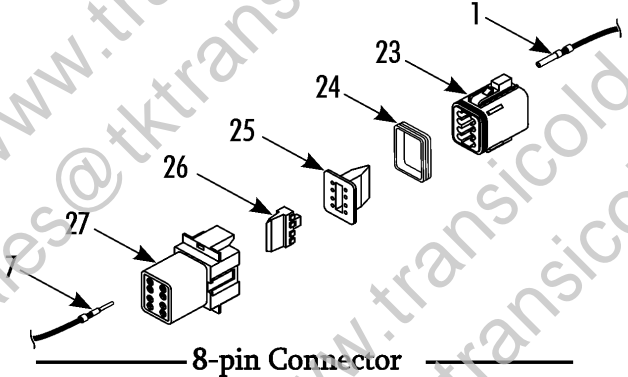
3-pin Connector



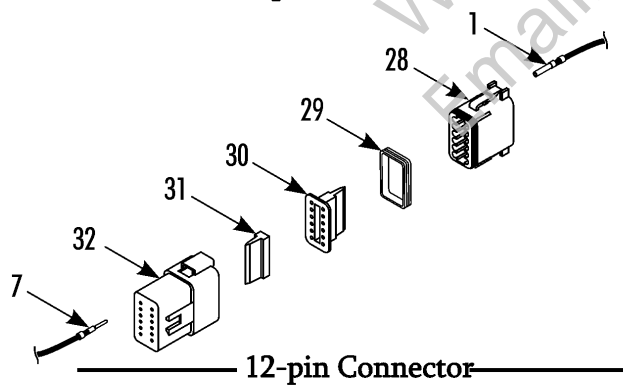
4-pin Connector



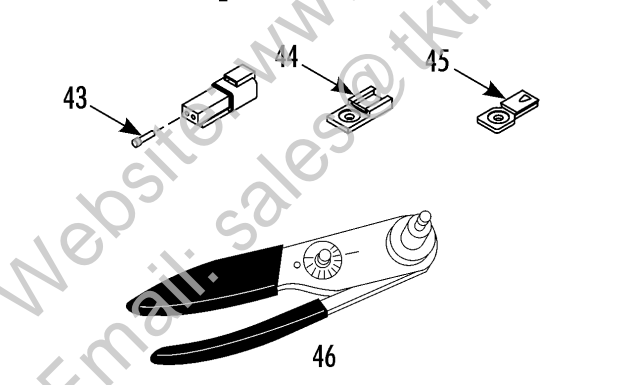
6-pin Connector



8-pin Connector



12-pin Connector



Revised
05/31/15

DEUTSCH IN-LINE CONNECTORS

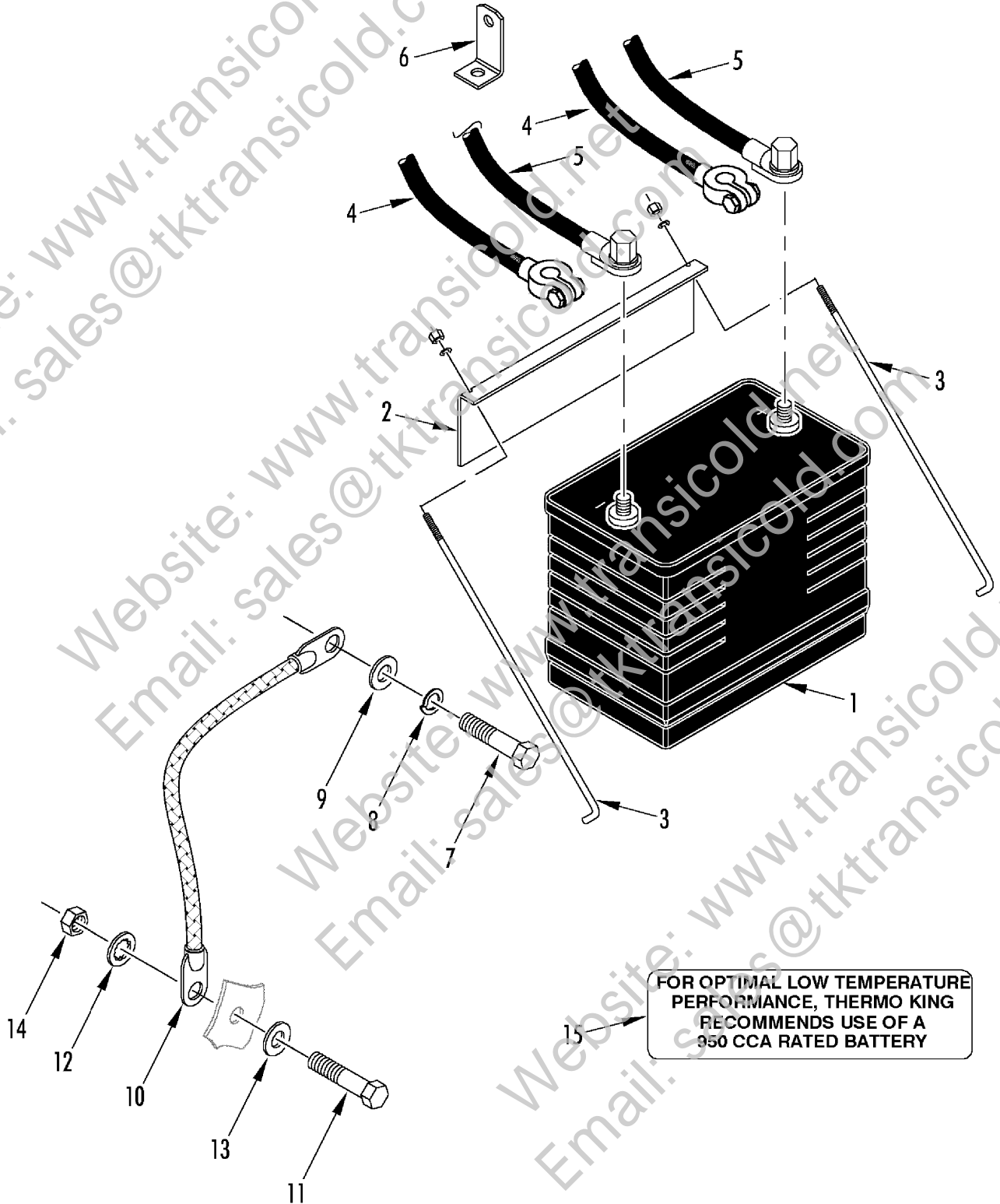


| REF | PART NO. | DESCRIPTION | |
|-----|----------|--|-----|
| 29 | 332397 | SEAL | |
| 30 | 449601 | WEDGE | 1 |
| 31 | 449905 | WEDGE | 1 |
| 32 | 449904 | RECEPTACLE (12-pin) | 1 |
| 33 | 412323 | PLUG - assembly (w/ 6-in wires) | 1 |
| 34 | 412322 | RECEPTACLE - assembly (w/ 6-in wires) | 1 |
| 35 | 412325 | PLUG - assembly (w/ 6-in wires) | 1 |
| 36 | 412324 | RECEPTACLE - assembly (w/ 6-in wires) | 1 |
| 37 | 412327 | PLUG - assembly (w/ 6-in wires) | 1 |
| 38 | 412326 | RECEPTACLE - assembly (w/ 6-in wires) | 1 |
| 39 | 414524 | SOCKET (8-10 ga) | 1 |
| 40 | 413073 | PLUG (1 terminal) | 1 |
| 41 | 413069 | RECEPTACLE (1 terminal) | 1 |
| 42 | 446850 | PIN (8-10 ga) | 1 |
| 43 | 449602 | PIN - sealing | A/R |
| 44 | 449906 | TAB - mounting (for all connectors except the 8-pin connector) | A/R |
| 45 | 449907 | TAB - mounting (for 8-pin connector only) | A/R |
| 46 | 2040703 | KIT - crimper (w/ terminals) | 1 |
| | 2041038 | * TOOL - crimper | 1 |
| | 2040799 | * TOOL - wedge remover | 1 |

208C9



BATTERY & CABLE GROUP



FOR OPTIMAL LOW TEMPERATURE PERFORMANCE, THERMO KING RECOMMENDS USE OF A 950 CCA RATED BATTERY

Revised
05/19/09

BATTERY & CABLE GROUP

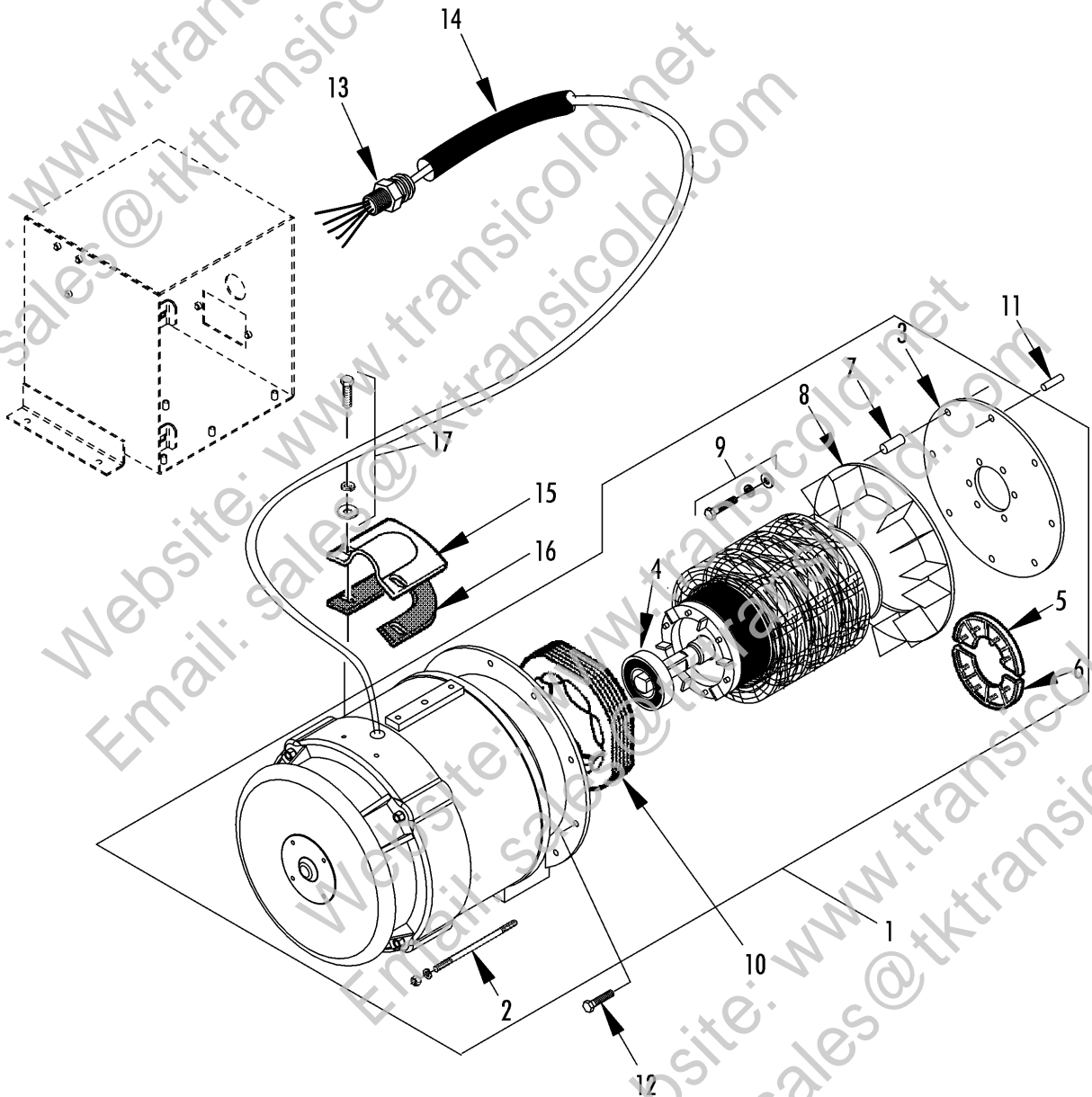


| REF | PART NO. | DESCRIPTION | |
|-----|-----------|---|---|
| 1 | 2030733 | BATTERY (950 CCA, threaded) | |
| | 2030732 | BATTERY (950 CCA, posts) | 1 |
| 2 | 920269TKA | STRAP - battery holddown | 1 |
| | 925266 | STRAP - battery holddown (Maersk blue) | 1 |
| 3 | 914146 | ROD - holddown | 2 |
| | 554954 | NUT - holddown | 2 |
| | 552958 | FLATWASHER | 2 |
| 4 | 414240 | CABLE - battery (negative & positive, post) | 2 |
| | 554436 | * NUT | 2 |
| 5 | 411551 | CABLE - battery (negative & positive, threaded) | 2 |
| | 447051 | BOOT | 2 |
| 6 | 917530 | BRACKET - battery cable | 1 |
| | 925267 | BRACKET - battery cable (Maersk blue) | 1 |
| | 551587 | SCREW - bracket | 2 |
| | 552086 | FLATWASHER | 2 |
| | 554953 | LOCKWASHER | 2 |
| | 552240 | CLAMP | 4 |
| 7 | 555022 | SCREW - strap to engine | 1 |
| 8 | 552959 | LOCKWASHER | 2 |
| 9 | 552958 | FLATWASHER | 2 |
| 10 | 410808 | STRAP - ground (20 in lg) | 1 |
| 11 | 551587 | SCREW - strap to frame | 1 |
| 12 | 552993 | LOCKWASHER (internal tooth) | 2 |
| 13 | 552086 | FLATWASHER | 2 |
| 14 | 554953 | NUT | 1 |
| 15 | 926531 | NAMEPLATE - 950 CCA Battery | 1 |

222D1

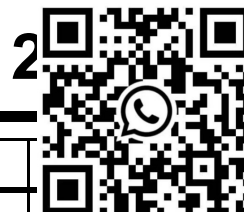


ALTERNATOR GROUP



Revised
05/06/09

ALTERNATOR GROUP

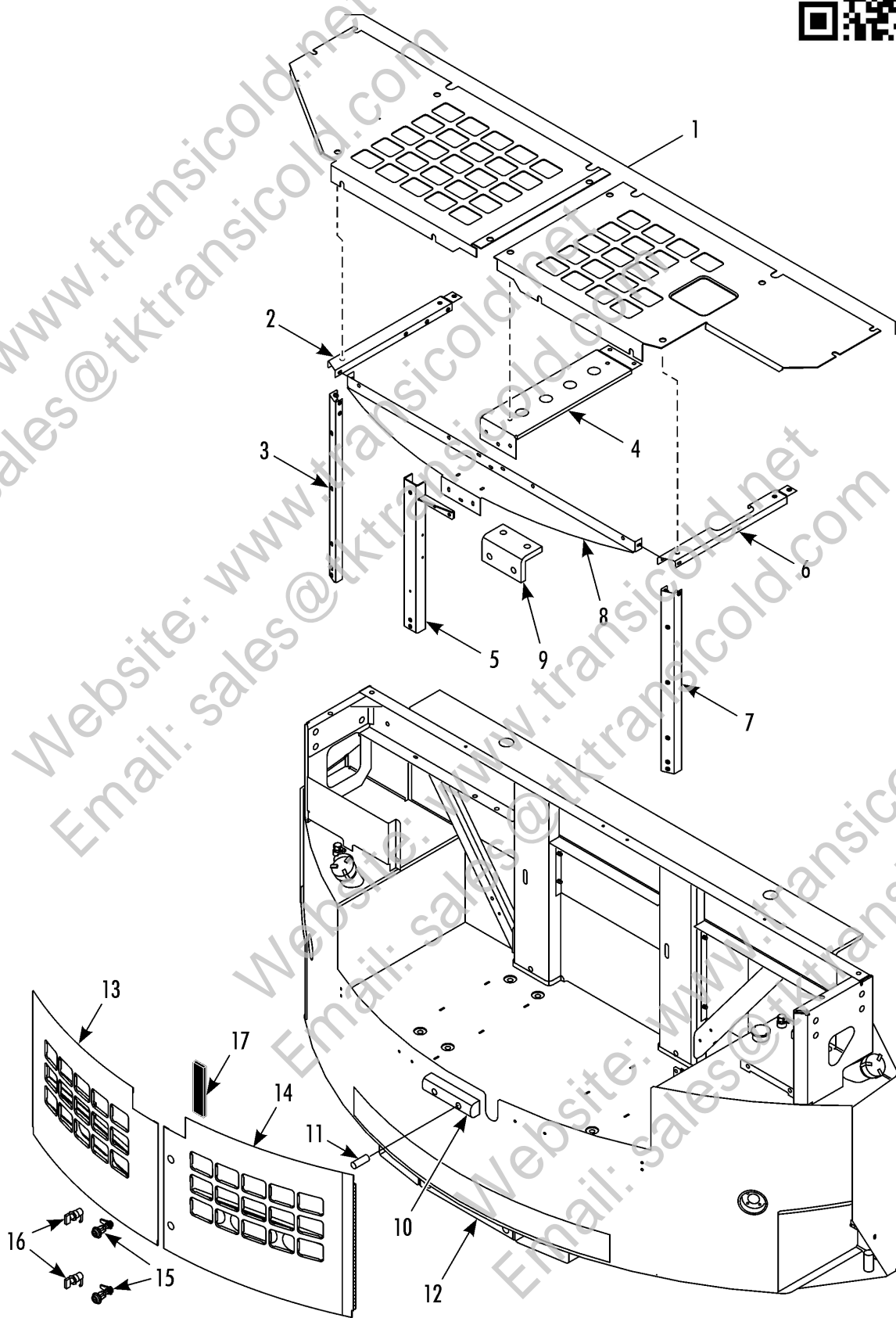


| REF | PART NO. | DESCRIPTION | |
|-----|-----------|-------------------------------------|-----|
| 1 | 4040153 | ALTERNATOR | |
| 2 | 553985 | * STUD - housing | 4 |
| | 551800TKA | * LOCKWASHER | 4 |
| | 552640 | * NUT | 4 |
| 3 | 119482 | * DISC - flex | 1 |
| 4 | 772747 | * BEARING | 1 |
| 5 | 444678 | * RECTIFIER - positive | 1 |
| 6 | 444679 | * RECTIFIER - negative | 1 |
| | 550664 | * NUT - rectifier | 6 |
| | 552964 | * LOCKWASHER | 6 |
| | 552001 | * FLATWASHER | 6 |
| 7 | 559820 | * SPACER - fan | 6 |
| 8 | 772654 | * BLOWER | 1 |
| 9 | 558137 | * SCREW - fan | 6 |
| | 557066 | * LOCKWASHER | 7 |
| | 556988 | * FLATWASHER | 6 |
| 10 | 452301 | * EXCITER - stator (14 ohm) | 1 |
| 11 | 559497 | PIN - dowel | 2 |
| 12 | 558137 | SCREW - disc to flywheel | 6 |
| | 557066 | LOCKWASHER | 6 |
| | 556988 | FLATWASHER | 6 |
| 13 | 553539 | CONNECTOR - barb | 1 |
| | 331056 | O-RING | 1 |
| | 552636 | NUT | 1 |
| 14 | 985035 | HOSE - harness (cut to 26.0 inches) | A/R |
| 15 | 913439TKA | COVER - harness | 1 |
| 16 | 331420 | GASKET - cover | 1 |
| 17 | 551587 | SCREW - cover | 2 |
| | 552086 | FLATWASHER | 2 |
| | 551800TKA | LOCKWASHER | 2 |

223C4



STRUCTURAL COMPONENTS



Revised
12/14/12

STRUCTURAL COMPONENTS

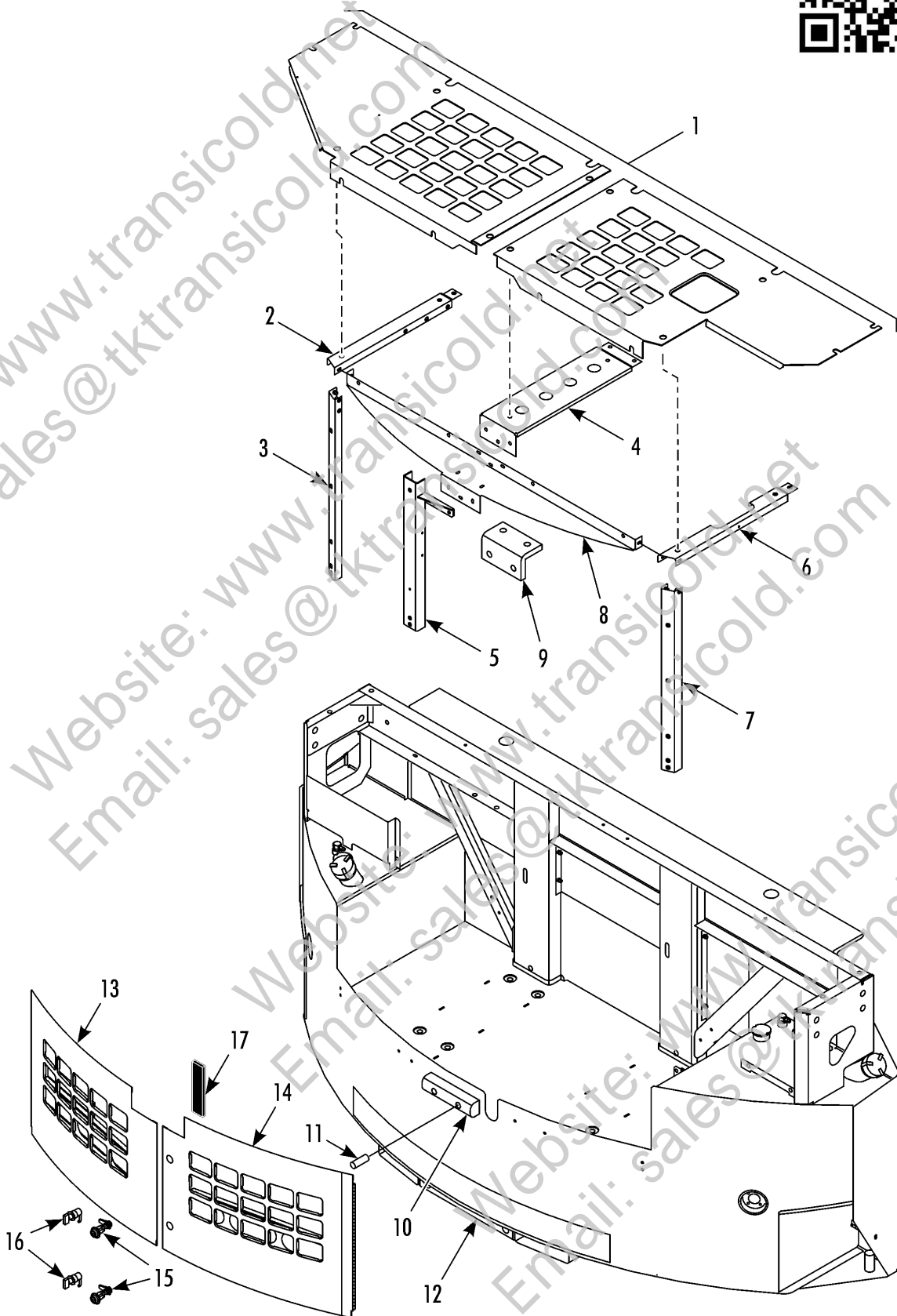


| REF | PART NO. | DESCRIPTION | |
|-----|-----------|--|----|
| 1 | 900384TKA | KIT - top panel (white, see 261H8) | |
| | 900383TKA | KIT - top panel (Maersk blue, see 261H8) | 1 |
| 2 | 920251TKA | CHANNEL - top (curbside) | 1 |
| 3 | 920252TKA | SUPPORT - right | 1 |
| | 552977 | SCREW - support | 3 |
| | 552086 | FLATWASHER | 3 |
| | 551800TKA | LOCKWASHER | 3 |
| 4 | 920249TKA | CHANNEL - center | 1 |
| 5 | 926715 | SUPPORT - center | 1 |
| 6 | 930622 | CHANNEL - top (roadside) | 1 |
| 7 | 930623 | SUPPORT - vertical (roadside) | 1 |
| 8 | 930624 | SUPPORT - top shelf | 1 |
| 9 | 925117 | BUMPER - bulkhead | 1 |
| | 915315 | SPACER - bumper | 4 |
| | 553462 | SCREW - bumper | 4 |
| | 552086 | FLATWASHER | 4 |
| | 551800TKA | LOCKWASHER | 4 |
| 10 | 925118 | BUMPER - lower | 2 |
| 11 | 920265TKA | SPACER - bumper | 2 |
| | 552979 | SCREW - bumper | 2 |
| | 552086 | FLATWASHER | 2 |
| | 554953 | NUT | 2 |
| 12 | 987294 | FRAME - fuel tank | 1 |
| 13 | 987219 | DOOR - curbside | 1 |
| 14 | 987221 | DOOR - roadside | 1 |
| 15 | 920260TKA | LATCH - door | 2 |
| 16 | 996599 | LATCH - door | 2 |
| | 915315 | SPACER - door latch | 4 |
| | 553003 | SCREW - spacer | 8 |
| | 553013 | FLATWASHER | 32 |

223C4



STRUCTURAL COMPONENTS



Revised
12/14/12

STRUCTURAL COMPONENTS

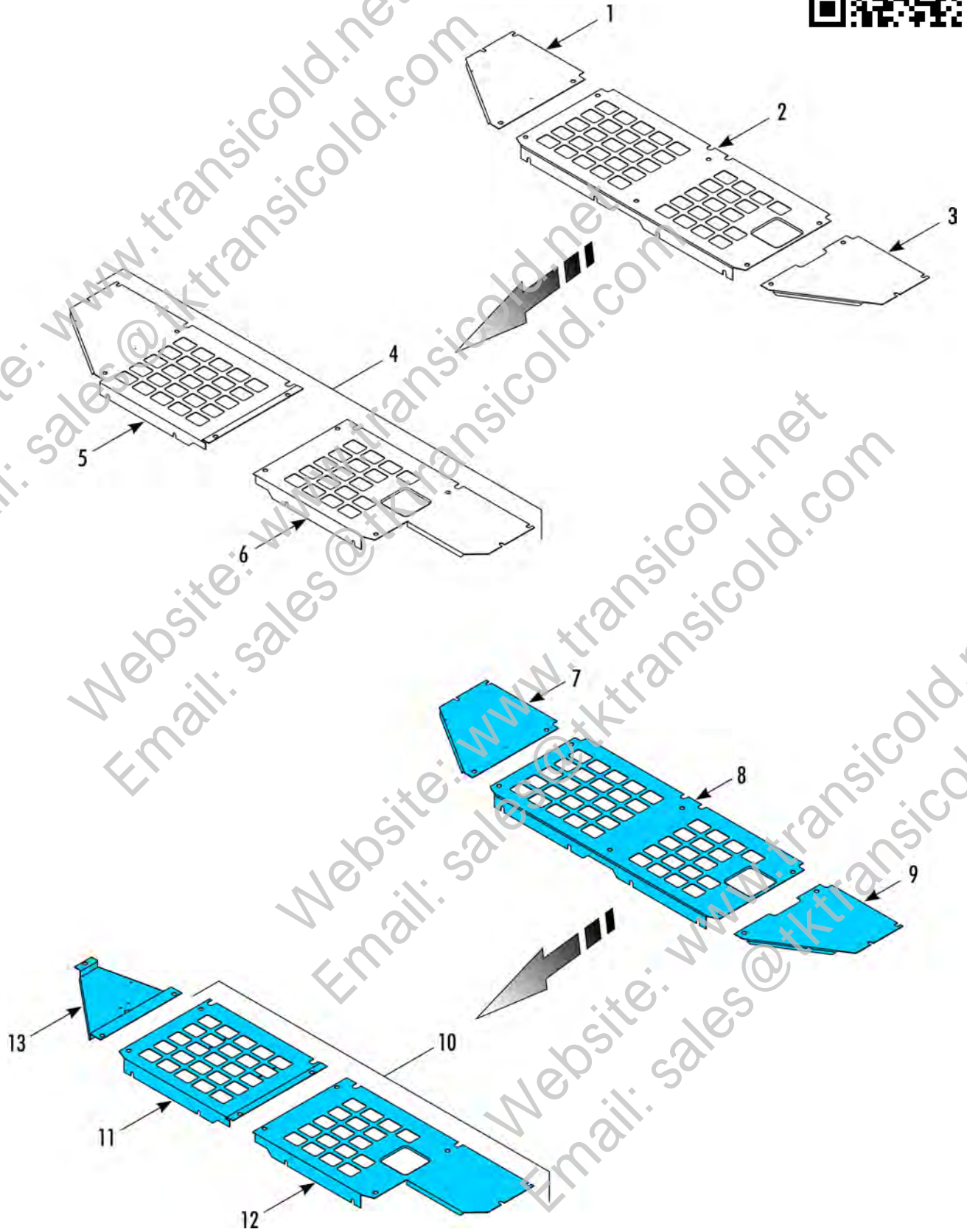


| REF | PART NO. | DESCRIPTION | |
|-----|----------|-----------------------|---|
| | 553014 | LOCKWASHER | |
| | 552999 | NUT | 8 |
| | 557527 | SCREW - door | 6 |
| | 557729 | WASHER - believeville | 6 |
| 17 | 996377 | STRIP - bumper | 6 |

261H8

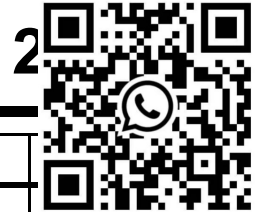


TOP COVERS



Revised
04/24/15

TOP COVERS

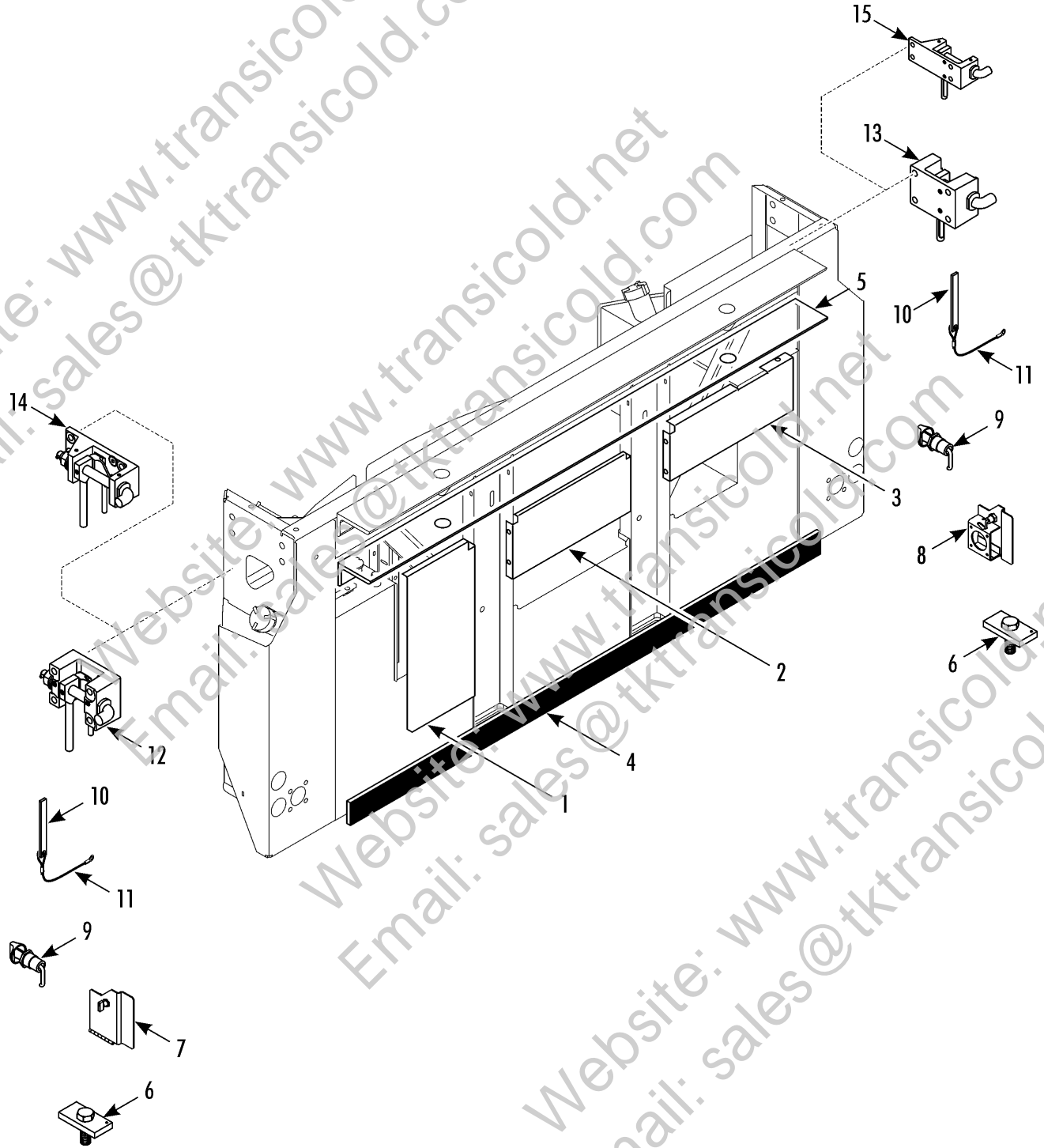


| REF | PART NO. | DESCRIPTION | |
|-----|-----------|--|----|
| 1 | 988002 | PANEL - curbside (white, use 90-384) | |
| 2 | 988000 | PANEL - center (white, use 90-384) | 1 |
| 3 | 987998 | PANEL - roadside (white, use 90-384) | 1 |
| 4 | 900384TKA | KIT - top panel (white) | 1 |
| 5 | 987884 | * PANEL - curbside (white) | 1 |
| 6 | 987883 | * PANEL - curbside (white) | 1 |
| 7 | 988003 | PANEL - curbside (Maersk blue, use 90-383) | 1 |
| 8 | 988001 | PANEL - center (Maersk blue, use 90-383) | 1 |
| 9 | 900384TKA | KIT - top panel (white) | 1 |
| 10 | 900383TKA | KIT - top covers (Maersk blue) | 1 |
| 11 | 926415 | * PANEL - center (Maersk blue) | 1 |
| 12 | 987885 | * PANEL - roadside (Maersk blue) | 1 |
| 13 | 926414 | PANEL - curbside (Maersk blue, Star Track) | 1 |
| | 557731 | SCREW - panel | 14 |
| | 554742 | WASHER - special | 14 |

158C5



STRUCTURAL COMPONENTS (REAR VIEW)



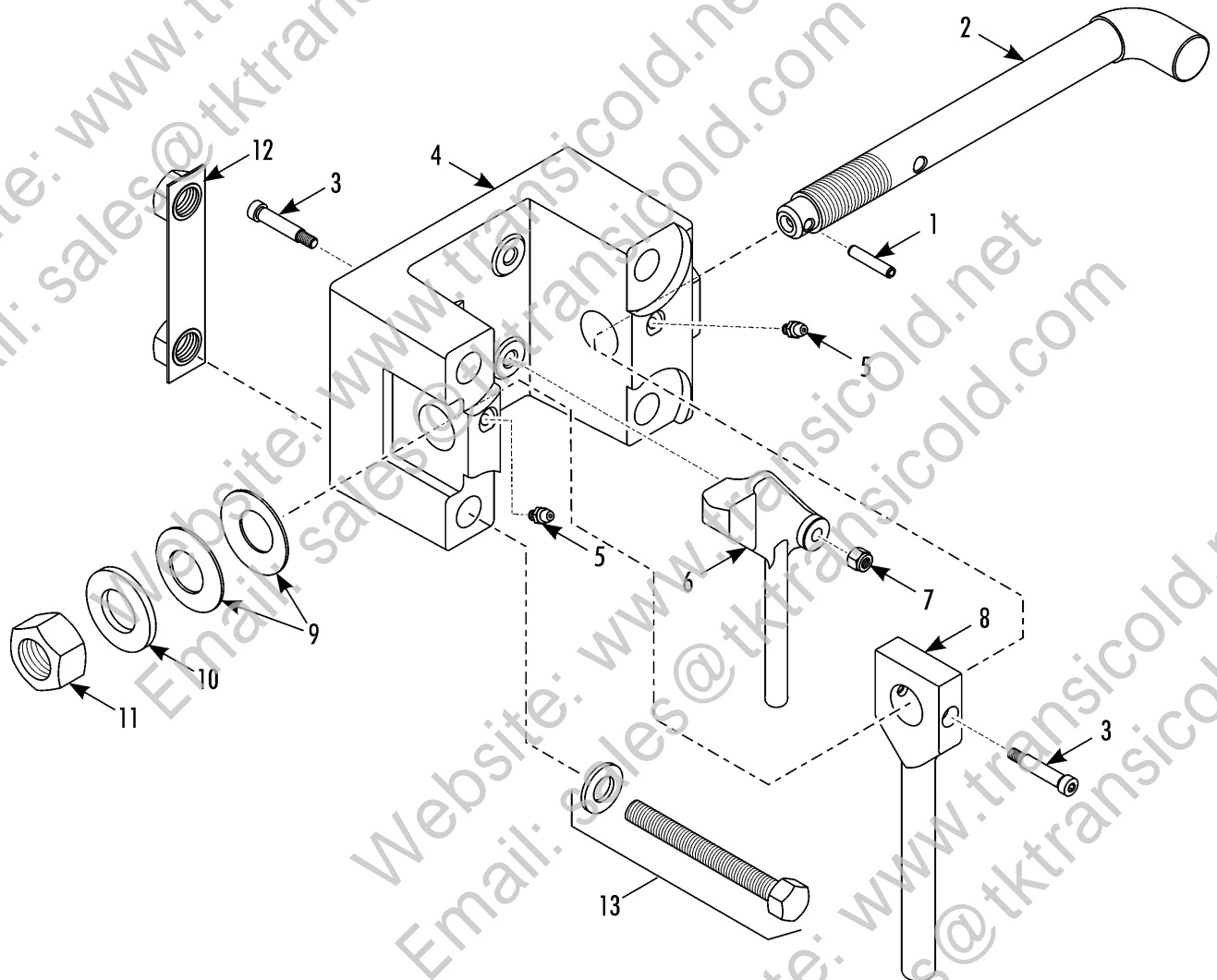
Revised
01/19/15**STRUCTURAL COMPONENTS (REAR
VIEW)**

| REF | PART NO. | DESCRIPTION | |
|-----|-----------|---|---|
| 1 | 926717 | SHIELD - radiator fan | |
| | 926428 | SHIELD - radiator fan (Maersk blue) | 1 |
| | 558979 | * INSERT | 2 |
| 2 | 926716 | SHIELD - muffler | 1 |
| | 987227 | SHIELD - muffler (Maersk blue) | 1 |
| | 558979 | * INSERT | 4 |
| 3 | 926718 | SHIELD - exhaust tube | 1 |
| | 926420 | SHIELD - exhaust tube (Maersk blue) | 1 |
| | 558979 | * INSERT | 3 |
| | 551587 | SCREW - shield | 9 |
| | 551800TKA | LOCKWASHER | 9 |
| 4 | 916831 | STRIP - foam | 1 |
| | 900305TKA | KIT - pin mount option | 1 |
| 5 | 119500 | * ANGLE - unit mount | 1 |
| 6 | 119291 | * SCREW - unit mount | 2 |
| 7 | 920266TKA | COVER - retainer bolt (rs, white, incl latch #16) | 1 |
| | 925269 | COVER - retainer bolt (rs, Maersk blue, incl latch #16) | 1 |
| 8 | 920267TKA | COVER - retainer bolt (curbside, white, incl latch #16) | 1 |
| | 925270 | COVER - retainer bolt (curbside, Maersk blue, incl latch #16) | 1 |
| 9 | 996599 | LATCH - door | 1 |
| 10 | 917229 | BAR - locking | 2 |
| 11 | 917231 | LANYARD | 2 |
| | 552964 | LOCKWASHER | 2 |
| | 554560 | NUT | 2 |
| 12 | 926429 | BRACKET - clip-on (roadside, dual mount, see 223G6) | 1 |
| 13 | 926722 | BRACKET - clip-on (curbside, dual mount, see 223G6) | 1 |
| 14 | 913161 | BRACKET - clip-on (roadside, single mount, see 105C8) | 1 |
| 15 | 913162 | BRACKET - clip-on (curbside, single mount, see 105C8) | 1 |

223G6

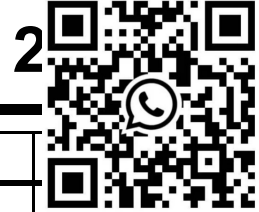


UNIT MOUNTING BRACKET



Revised
11/08/16

UNIT MOUNTING BRACKET

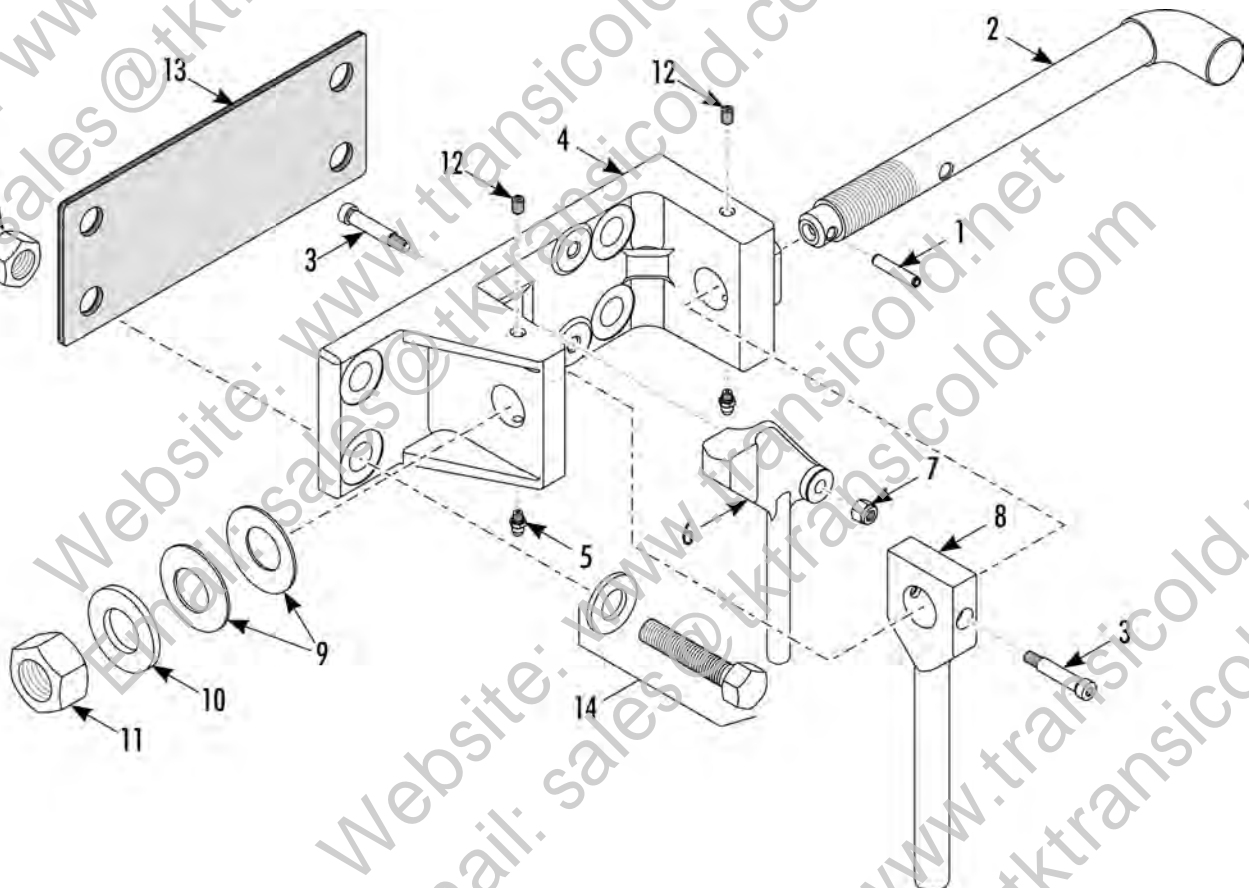


| REF | PART NO. | DESCRIPTION | |
|-----|-----------|--------------------------|-----|
| | 926429 | BRACKET (lefthand) | |
| | 926722 | BRACKET (righthand) | 1 |
| 1 | 552925 | * PIN - spring (slotted) | 1 |
| 2 | 926430 | * SHAFT - clamp | 1 |
| 3 | 556030 | * SCREW - shoulder | 2 |
| 4 | NSS | * BASE - clamp | 1 |
| 5 | 554021 | * FITTING - grease | 2 |
| | 2030386 | GREASE | A/R |
| 6 | 910114 | * PAW - clamp | 1 |
| 7 | 554118 | * NUT | 2 |
| 8 | 910113TKA | * HANDLE - clamp | 1 |
| 9 | 556028 | * WASHER - spring | 2 |
| 10 | 556029 | * WASHER - special | 1 |
| 11 | 511677 | * NUT | 1 |
| 12 | 926423 | NUTSTRIP - bracket | 2 |
| 13 | 555947 | SCREW - bracket | 4 |
| | 550451 | LOCKWASHER | 4 |

105C8

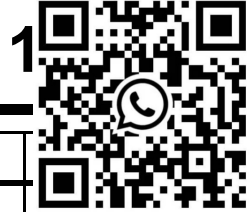


UNIT MOUNTING BRACKET



Revised
11/08/16

UNIT MOUNTING BRACKET

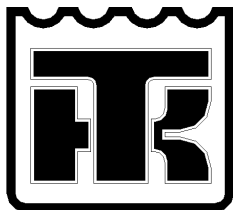


| REF | PART NO. | DESCRIPTION | |
|-----|-----------|--------------------------|-----|
| | 913161 | BRACKET (lefthand) | |
| | 913162 | BRACKET (righthand) | 1 |
| 1 | 552925 | * PIN - spring (slotted) | 1 |
| 2 | 913160 | * SHAFT - clamp | 1 |
| 3 | 556030 | * SCREW - shoulder | 2 |
| 4 | 910112TKA | * BASE - clamp | 1 |
| 5 | 554021 | * FITTING - grease | 2 |
| | 552155 | * SCREW - set | 2 |
| | 2030386 | GREASE | A/R |
| 6 | 910114 | * PAW - clamp | 1 |
| 7 | 554118 | * NUT | 2 |
| 8 | 910113TKA | * HANDLE - clamp | 1 |
| 9 | 556028 | * WASHER - spring | 2 |
| 10 | 556029 | * WASHER - special | 1 |
| 11 | 556027 | * NUT | 1 |
| 12 | 552155 | * SCREW - set | 2 |
| 13 | 912382 | SPACER - bracket | 2 |
| 14 | 512619 | SCREW - bracket | 8 |
| | 554767 | FLATWASHER | 8 |
| | 555418 | NUT | 8 |

208C5



NAMEPLATES



1



18

Smart Gen-Set

15

MAERSK

32

THERMO KING

15 KW

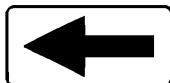
2

CALIFORNIA PROPOSITION 65 WARNING
DIESEL EXHAUST IS A CHEMICAL KNOWN TO
THE STATE OF CALIFORNIA TO CAUSE CANCER

3

DOCUMENTS

13



10

RADIATOR FILL
PERMANENT TYPE ANTI-FREEZE
MUST BE USED AT ALL TIMES.

14

THERMO KING GEN SET MAINTENANCE SCHEDULE

| PRELIM INSPECTION | 3000 HOUR INSPECTION |
|---|--|
| <ul style="list-style-type: none"> Check engine oil Check water level Check battery Check air filter Check fan belt Check radiator Check coolant level Check exhaust Check generator Check alternator Check voltage Check current Check frequency Check power factor Check efficiency Check power quality Check power stability Check power capacity Check power availability Check power reliability Check power security Check power safety Check power health Check power performance Check power productivity Check power profitability Check power sustainability Check power viability Check power feasibility Check power desirability Check power acceptability Check power comparability Check power compatibility Check power complementarity Check power cooperability Check power compatibility Check power complementarity Check power cooperability | <ul style="list-style-type: none"> Check engine oil Check water level Check battery Check air filter Check fan belt Check radiator Check coolant level Check exhaust Check generator Check alternator Check voltage Check current Check frequency Check power factor Check efficiency Check power quality Check power stability Check power capacity Check power availability Check power reliability Check power security Check power health Check power performance Check power productivity Check power profitability Check power sustainability Check power viability Check power feasibility Check power desirability Check power acceptability Check power comparability Check power compatibility Check power complementarity Check power cooperability |

16

REDUCED WIRING
DIAGRAM
5D53310 REV C

24

CAUTION
DO NOT CONNECT OR DISCONNECT
WHILE GENSET IS RUNNING

25

OPERATING INSTRUCTIONS

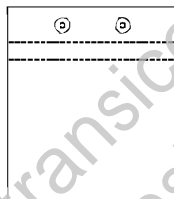
| OPERATING INSTRUCTIONS |
|---|
| <p>1. Check engine oil level before starting.</p> <p>2. Check water level before starting.</p> <p>3. Check battery charge before starting.</p> <p>4. Check air filter before starting.</p> <p>5. Check fan belt before starting.</p> <p>6. Check radiator level before starting.</p> <p>7. Check coolant level before starting.</p> <p>8. Check exhaust before starting.</p> <p>9. Check generator before starting.</p> <p>10. Check alternator before starting.</p> <p>11. Check voltage before starting.</p> <p>12. Check current before starting.</p> <p>13. Check frequency before starting.</p> <p>14. Check power factor before starting.</p> <p>15. Check efficiency before starting.</p> <p>16. Check power quality before starting.</p> <p>17. Check power stability before starting.</p> <p>18. Check power capacity before starting.</p> <p>19. Check power availability before starting.</p> <p>20. Check power reliability before starting.</p> <p>21. Check power security before starting.</p> <p>22. Check power health before starting.</p> <p>23. Check power performance before starting.</p> <p>24. Check power productivity before starting.</p> <p>25. Check power profitability before starting.</p> <p>26. Check power sustainability before starting.</p> <p>27. Check power viability before starting.</p> <p>28. Check power feasibility before starting.</p> <p>29. Check power desirability before starting.</p> <p>30. Check power acceptability before starting.</p> <p>31. Check power comparability before starting.</p> <p>32. Check power compatibility before starting.</p> <p>33. Check power complementarity before starting.</p> <p>34. Check power cooperability before starting.</p> |

26

OPERATING INSTRUCTIONS

| OPERATING INSTRUCTIONS |
|---|
| <p>1. Check engine oil level before starting.</p> <p>2. Check water level before starting.</p> <p>3. Check battery charge before starting.</p> <p>4. Check air filter before starting.</p> <p>5. Check fan belt before starting.</p> <p>6. Check radiator level before starting.</p> <p>7. Check coolant level before starting.</p> <p>8. Check exhaust before starting.</p> <p>9. Check generator before starting.</p> <p>10. Check alternator before starting.</p> <p>11. Check voltage before starting.</p> <p>12. Check current before starting.</p> <p>13. Check frequency before starting.</p> <p>14. Check power factor before starting.</p> <p>15. Check efficiency before starting.</p> <p>16. Check power quality before starting.</p> <p>17. Check power stability before starting.</p> <p>18. Check power capacity before starting.</p> <p>19. Check power availability before starting.</p> <p>20. Check power reliability before starting.</p> <p>21. Check power security before starting.</p> <p>22. Check power health before starting.</p> <p>23. Check power performance before starting.</p> <p>24. Check power productivity before starting.</p> <p>25. Check power profitability before starting.</p> <p>26. Check power sustainability before starting.</p> <p>27. Check power viability before starting.</p> <p>28. Check power feasibility before starting.</p> <p>29. Check power desirability before starting.</p> <p>30. Check power acceptability before starting.</p> <p>31. Check power comparability before starting.</p> <p>32. Check power compatibility before starting.</p> <p>33. Check power complementarity before starting.</p> <p>34. Check power cooperability before starting.</p> |

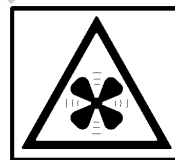
27



4

Clean filter
screen at
hand pump
inlet when
servicing
fuel filters.

6



9

CAUTION
LOWER MOUNTING
BOLTS MUST BE
INSTALLED

5

CAUTION
LOWER MOUNTING
BOLTS MUST BE
INSTALLED

8

INSTALLATION INSTRUCTIONS

- CAUTION INSERT LUG INTO CORNER CASTING TO LOCK - PULL HANDLE DOWN AND CHECK SHAFT END-HORIZONTAL
- TORQUE NUT FOR TIGHT FIT (250 FT-LB/340 N-M)
- INSTALL LOWER UNIT MOUNTING BOLTS (150 FT-LBS/203 N-M)

12

CAUTION
460 VOLTS

17

USE DIESEL FUEL ONLY!

19

CAUTION
230 VOLTS

20



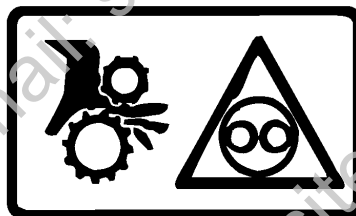
21

DANGER
DO NOT USE EITHER STARTING
AIDS ON THIS ENGINE. FIRE OR
EXPLOSION MAY RESULT

22

| ITEM NO. | GALLONS | UNITS |
|----------|---------|------------------------|
| H01 | 88 | CENTER-MOUNT GENERATOR |
| H02 | 180 | RC111 |
| H03 | 125 | CLIP-ON GENERATOR |

23



28 & 29 Multi-Language

TEXACO

• Read the Texaco Safety Manual for more information on safe use of this product.

• Do not use in enclosed spaces.

• Do not use in areas with high humidity.

• Do not use in areas with high temperature.

• Do not use in areas with high pressure.

• Do not use in areas with high vibration.

• Do not use in areas with high noise.

• Do not use in areas with high pollution.

• Do not use in areas with high radiation.

• Do not use in areas with high magnetic fields.

• Do not use in areas with high electric fields.

• Do not use in areas with high electromagnetic interference.

• Do not use in areas with high radio frequency interference.

• Do not use in areas with high microwave radiation.

• Do not use in areas with high laser radiation.

• Do not use in areas with high ionizing radiation.

• Do not use in areas with high ultraviolet radiation.

• Do not use in areas with high infrared radiation.

• Do not use in areas with high sound pressure level.

• Do not use in areas with high vibration level.

• Do not use in areas with high acceleration level.

• Do not use in areas with high shock level.

• Do not use in areas with high impact level.

• Do not use in areas with high torque level.

• Do not use in areas with high force level.

• Do not use in areas with high energy level.

• Do not use in areas with high power level.

• Do not use in areas with high flux level.

• Do not use in areas with high density level.

• Do not use in areas with high viscosity level.

• Do not use in areas with high surface tension level.

• Do not use in areas with high contact angle level.

• Do not use in areas with high adhesion level.

• Do not use in areas with high cohesion level.

• Do not use in areas with high surface energy level.

• Do not use in areas with high surface free energy level.

• Do not use in areas with high surface enthalpy level.

• Do not use in areas with high surface entropy level.

• Do not use in areas with high surface Gibbs free energy level.

• Do not use in areas with high surface Helmholtz free energy level.

• Do not use in areas with high surface enthalpy of activation level.

• Do not use in areas with high surface entropy of activation level.

• Do not use in areas with high surface Gibbs free energy of activation level.

• Do not use in areas with high surface Helmholtz free energy of activation level.

30

MAERSK

31

OPERATING INSTRUCTIONS

| OPERATING INSTRUCTIONS |
|---|
| <p>1. Check engine oil level before starting.</p> <p>2. Check water level before starting.</p> <p>3. Check battery charge before starting.</p> <p>4. Check air filter before starting.</p> <p>5. Check fan belt before starting.</p> <p>6. Check radiator level before starting.</p> <p>7. Check coolant level before starting.</p> <p>8. Check exhaust before starting.</p> <p>9. Check generator before starting.</p> <p>10. Check alternator before starting.</p> <p>11. Check voltage before starting.</p> <p>12. Check current before starting.</p> <p>13. Check frequency before starting.</p> <p>14. Check power factor before starting.</p> <p>15. Check efficiency before starting.</p> <p>16. Check power quality before starting.</p> <p>17. Check power stability before starting.</p> <p>18. Check power capacity before starting.</p> <p>19. Check power availability before starting.</p> <p>20. Check power reliability before starting.</p> <p>21. Check power security before starting.</p> <p>22. Check power health before starting.</p> <p>23. Check power performance before starting.</p> <p>24. Check power productivity before starting.</p> <p>25. Check power profitability before starting.</p> <p>26. Check power sustainability before starting.</p> <p>27. Check power viability before starting.</p> <p>28. Check power feasibility before starting.</p> <p>29. Check power desirability before starting.</p> <p>30. Check power acceptability before starting.</p> <p>31. Check power comparability before starting.</p> <p>32. Check power compatibility before starting.</p> <p>33. Check power complementarity before starting.</p> <p>34. Check power cooperability before starting.</p> |

15

Revised
12/13/16

NAMEPLATES

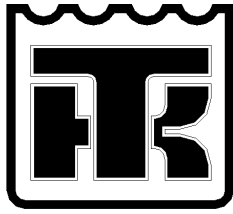


| REF | PART NO. | DESCRIPTION | |
|-----|-----------|--|---|
| 1 | 914511TKA | NAMEPLATE - TK (CGCM & SGCM) | |
| 2 | 916284 | NAMEPLATE - 15 kW | 1 |
| 3 | 917171TKA | NAMEPLATE - California Proposition | 1 |
| 4 | 926389 | POUCH - service information and records | 1 |
| | 919447TKA | SUPPORT - pouch | 1 |
| 5 | 912384 | NAMEPLATE - Caution Left | 1 |
| 6 | 922504 | NAMEPLATE - Clean Filter Screen | 1 |
| 7 | 919918 | NAMEPLATE - Thermo King (black letters) | 1 |
| | 919919 | NAMEPLATE - Thermo King (white letters) | 1 |
| 8 | 912383TKA | NAMEPLATE - Caution Right | 1 |
| 9 | 999234 | NAMEPLATE - Fan Universal | 1 |
| 10 | 914512TKA | NAMEPLATE - arrow | 1 |
| 11 | 913423TKA | NAMEPLATE - 460V | 1 |
| 12 | 914148 | NAMEPLATE - Installation Instructions (CGCO & SGCO) | 1 |
| | 913425 | NAMEPLATE - Installation Instructions (CGCM & SGCM) | 1 |
| 13 | 910338TKA | NAMEPLATE - Document Holder | 1 |
| 14 | 917012 | NAMEPLATE - Radiator Fill | 1 |
| 15 | 925115 | NAMEPLATE - Smart Gen-Set Operating Instructions | 1 |
| | 925116 | NAMEPLATE - Smart Gen-Set Operating Instructions (Spanish) | 1 |
| 16 | 921236 | NAMEPLATE - Maintenance | 1 |
| 17 | 993522 | NAMEPLATE - Caution 460 Volts | 1 |
| 18 | 924305 | NAMEPLATE - IR logo | 1 |
| 19 | 912389 | NAMEPLATE - Diesel Fuel Only | 1 |
| 20 | 993407 | NAMEPLATE - Caution 230 Volts | 1 |
| 21 | 918810 | NAMEPLATE - CE | 1 |
| 22 | 924977 | NAMEPLATE - Warning, Ether | 1 |
| 23 | 918684TKA | NAMEPLATE - FHWA | 1 |
| 24 | 925112 | NAMEPLATE - Wiring/Schematic Diagram | 1 |
| 25 | 923828 | NAMEPLATE - Caution | 1 |
| 26 | 925113 | NAMEPLATE - Smart Gen-Set Menu List | 1 |

208C5



NAMEPLATES



1



18

Smart Gen-Set

15

MAERSK

32

THERMO KING

15 KW

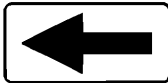
2

CALIFORNIA PROPOSITION 65 **WARNING**
DIESEL EXHAUST IS A CHEMICAL KNOWN TO
THE STATE OF CALIFORNIA TO CAUSE CANCER

3

DOCUMENTS

13



10

RADIATOR FILL
PERMANENT TYPE ANTI-FREEZE
MUST BE USED AT ALL TIMES.

14

| THERMO KING GEN SET MAINTENANCE CHECKLIST | |
|---|--|
| PRE-START INSPECTION | 3000 HOUR INSPECTION |
| <ul style="list-style-type: none"> OPERATOR'S MANUAL WARRANTY OPERATING INSTRUCTIONS FLUID LEVELS ENGINE OIL COOLANT EXHAUST STARTER MOTOR WARRANTY WATER PUMP & BELT | <ul style="list-style-type: none"> ENGINE OIL COOLANT EXHAUST STARTER MOTOR WARRANTY WATER PUMP & BELT ENGINE OIL COOLANT EXHAUST STARTER MOTOR WARRANTY WATER PUMP & BELT |

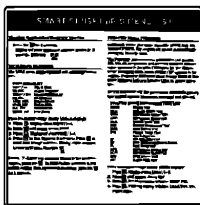
16

REDUCED WIRING
DIAGRAM
5D53310 REV C

24

CAUTION
DO NOT CONNECT OR DISCONNECT
WHILE GENSET IS RUNNING

25



26

GEN SET
OPERATING INSTRUCTIONS

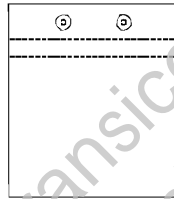
PRE-START INSPECTION

1. The user should check the following items:
 - Check engine oil level, adding oil if needed. Note the oil level at each start-up.
 - Check coolant level, adding coolant if needed.

STARTING PROCEDURE

| AMBIENT TEMP | WARM-UP TIME |
|--------------|---------------|
| Above 50°F | 1/2 MINUTE |
| 32°F to 50°F | 1 MINUTE |
| 15°F to 32°F | 1 1/2 MINUTES |
| Below 15°F | 2 MINUTES |

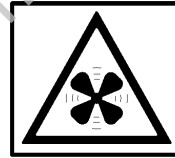
27



4

Clean filter screen at hand pump inlet when servicing fuel filters.

6



9

CAUTION
LOWER MOUNTING BOLTS MUST BE INSTALLED

5

CAUTION
LOWER MOUNTING BOLTS MUST BE INSTALLED

8



11

INSTALLATION INSTRUCTIONS

- 1) CAUTION INSERT LUG INTO CORNER CASTING
- 2) TO LOCK - PULL HANDLE DOWN AND CHECK SHAFT END-HORIZONTAL
- 3) TORQUE NUT FOR TIGHT FIT (250 FT-LB/340 N-M)
- 4) INSTALL LOWER UNIT MOUNTING BOLTS (150 FT-LBS/203 N-M)

12

CAUTION
460 VOLTS

17

USE DIESEL FUEL ONLY!

19

CAUTION
230 VOLTS

20



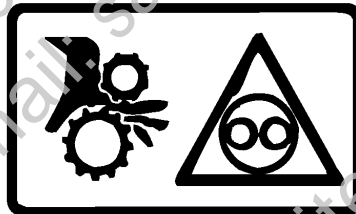
21

DANGER
DO NOT USE EITHER STARTING AIDS ON THIS ENGINE. FIRE OR EXPLOSION MAY RESULT.

22

| ITEM NO. | GALLONS | UNITS |
|----------|---------|------------------------|
| H01 | 60 | CENTER-MOUNT GENERATOR |
| H02 | 100 | RC111 |
| H03 | 125 | CLIP-ON GENERATOR |

23



28 & 29 Multi-Language

TEXACO

• Top Oil with Thermo King Oil Cooler Gen-Set (150)

• Top Oil with Thermo King Oil Cooler Gen-Set (150)

• Top Oil with Thermo King Oil Cooler Gen-Set (150)

• Top Oil with Thermo King Oil Cooler Gen-Set (150)

30

MAERSK

31

OPERATING INSTRUCTIONS

1. Start-up procedure

2. Shut-down procedure

3. Troubleshooting

4. Maintenance

5. Safety

15

Revised
12/13/16

NAMEPLATES



| REF | PART NO. | DESCRIPTION | |
|-----|----------|--|---|
| | 925114 | NAMEPLATE - Smart Gen-Set Menu List (Spanish) | |
| 27 | 918699 | NAMEPLATE - Operating Instructions (CGCM) | 1 |
| | 919920 | NAMEPLATE - Operating Instructions (CGSM) | 1 |
| 28 | 999938 | NAMEPLATE - Caution, Start/Stop | 1 |
| 29 | 999939 | NAMEPLATE - Caution, Start/Stop (multi-language) | 1 |
| 30 | 919269 | NAMEPLATE - Coolant, Extended Life | 1 |
| 31 | 925271 | NAMEPLATE - MAEG | 2 |
| 32 | 926424 | NAMEPLATE - Maersk | 1 |

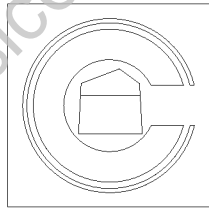
158H4



NAMEPLATES



1



2



5



6



3



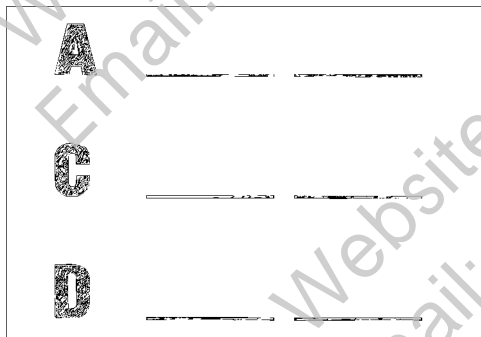
4



12



7



8



9



10

MAERSK

11

Revised
10/11/07

NAMEPLATES



| REF | PART NO. | DESCRIPTION | |
|-----|-----------|---|---|
| 1 | 998030 | NAMEPLATE - Caution, Volts | |
| 2 | 920271TKA | NAMEPLATE - Crowley | 1 |
| 3 | 920272TKA | NAMEPLATE - Gen.Set ID | 1 |
| 4 | N-A | NAMEPLATE - Genstar Logo (supplied by customer) | 1 |
| 5 | 920274TKA | NAMEPLATE - Property of Transamerica | 1 |
| 6 | 920275TKA | NAMEPLATE - Instructions, Spanish | 1 |
| 7 | 920276TKA | NAMEPLATE - Transamerica | 1 |
| 8 | 926372 | NAMEPLATE - ACD (Crowley) | 1 |
| 9 | 926371 | NAMEPLATE - weight (Yang Ming Line) | 1 |
| 10 | 926370 | NAMEPLATE - Hamburg Sud | 1 |
| 11 | 926424 | NAMEPLATE - Maersk | 1 |
| 12 | 920109TKA | NAMEPLATE - Weight | 1 |

INDEX NUMERICAL BY PART NUMBER



| | | | | | |
|-----------|--------------------|-----------|--------|-----------|----------------|
| 100242 | 51, 55 | 118681 | 39 | 119482 | |
| 100243 | 51 | 118682 | 39 | 119500 | |
| 100373 | 33 | 118718 | 55 | 119524 | |
| 100426 | 51 | 118719 | 55 | 119525 | 63 |
| 100436 | 53 | 118387 | 55 | 119592 | 15, 21 |
| 100458 | 53 | 118888 | 63 | 119594 | 55 |
| 1010354 | 25, 27, 33 | 118891 | 63 | 120750 | 21 |
| 1010362 | 25, 27, 33, 35, 51 | 118913 | 63 | 120799 | 63 |
| 112770TKA | 39 | 118919 | 9 | 120800TKA | 61 |
| 112854 | 39 | 118923 | 19 | 120823 | 17 |
| 114367 | 51 | 118924 | 17 | 120868 | 19 |
| 114372 | 51, 55 | 118927 | 13 | 120869 | 19 |
| 114380 | 51, 55 | 118928 | 11 | 121092 | 11 |
| 114607 | 63 | 118929 | 13 | 121095 | 63 |
| 114665 | 67 | 118932 | 13 | 130126 | 13 |
| 114693 | 63 | 118933 | 13 | 130127 | 39 |
| 114841 | 51 | 118934 | 13, 47 | 130128 | 39 |
| 114941 | 51, 55 | 118935 | 11, 47 | 130310 | 33 |
| 114959 | 53 | 118936 | 13 | 130318 | 9 |
| 115082 | 15 | 118942 | 13 | 130319 | 15 |
| 115091 | 15 | 118944 | 23 | 130321 | 15 |
| 115103 | 11 | 118945 | 25 | 130322 | 15 |
| 115320TKA | 51 | 118947 | 21 | 130323 | 27 |
| 115437 | 53 | 118950 | 21 | 130324 | 27 |
| 115499 | 9 | 118951 | 21 | 130325 | 27 |
| 115889 | 39 | 118952 | 21 | 130326 | 27 |
| 115890 | 39 | 118953 | 21 | 130327 | 27 |
| 115911 | 19 | 118964 | 27 | 130328 | 27 |
| 116031 | 17 | 118965 | 27 | 130332TKA | 11 |
| 116106 | 43 | 118970 | 39 | 130333 | 11 |
| 116108 | 43 | 118971 | 39 | 130334 | 11 |
| 116109 | 33 | 118972TKA | 39 | 130335 | 11 |
| 116125 | 35 | 118973 | 39 | 130336 | 11 |
| 116555 | 9 | 118974TKA | 39 | 130337 | 11 |
| 116567 | 11 | 118975 | 39 | 130338 | 11 |
| 116704 | 11 | 118976 | 39 | 130339 | 11 |
| 116707 | 13, 33, 43, 47 | 118977 | 39 | 130340 | 11, 47 |
| 116716 | 25 | 118984 | 19 | 130341TKA | 13, 33, 43, 47 |
| 116717 | 25 | 118995 | 27 | 130342TKA | 13 |
| 116719 | 21, 25 | 118998 | 39 | 130343 | 23 |
| 116786 | 43 | 119015 | 51 | 130344 | 11 |
| 116787 | 43 | 119016 | 51 | 130345 | 25 |
| 116788 | 43 | 119017 | 51 | 130346 | 25 |
| 116789 | 43 | 119182 | 29 | 130349 | 25 |
| 116790TKA | 43 | 119256 | 31 | 130350 | 25 |
| 117433 | 39, 51 | 119261 | 25 | 130351TKA | 21 |
| 117499 | 39 | 119266 | 23, 57 | 130352TKA | 21 |
| 117707 | 39 | 119266 | 61 | 130353 | 21, 69 |
| 117757 | 57 | 119291 | 97 | 130355 | 21 |
| 117828 | 57 | 119299 | 57 | 130356 | 27 |
| 118014 | 59 | 119300 | 57 | 130357 | 27 |
| 118048 | 55 | 119338 | 19 | 130358 | 31, 69 |
| 118053 | 55 | 119342 | 51 | 130360 | 31 |
| 118667 | 19 | 119354 | 27 | 130363 | 31 |
| 118671 | 11 | 119446 | 33 | 130365 | 33 |
| 118675 | 31 | 119447 | 29 | 130368 | 33 |
| 118680 | 39 | 119448 | 19 | 130370 | 43 |

INDEX NUMERICAL BY PART NUMBER



| | | | | | |
|-----------|----------------|-----------|------------|-----------|--------|
| 130371TKA | 33 | 2040475 | 59 | 334169 | |
| 130383 | 59 | 2040542 | 33 | 334170 | |
| 130385 | 31 | 2040703 | 85 | 334171 | |
| 130388 | 33, 43 | 2040799 | 85 | 334172 | 37 |
| 130389 | 33 | 2040918 | 81 | 334173TKA | 37 |
| 130391TKA | 33 | 2040952 | 17 | 334174TKA | 33, 43 |
| 130392TKA | 33 | 2040974 | 81 | 334190TKA | 37 |
| 130393 | 33 | 2040975 | 81 | 334193TKA | 37 |
| 130440 | 35 | 2040994 | 17 | 334196 | 37 |
| 130442TKA | 35 | 2041011 | 15 | 334458 | 51 |
| 130444 | 35 | 2041038 | 85 | 334517 | 49 |
| 130445 | 35 | 2041040 | 81 | 334990 | 37 |
| 130446 | 35 | 2041848 | 33 | 335056 | 13, 47 |
| 130447 | 35 | 300295 | 31 | 335271 | 35 |
| 130448 | 37 | 300336 | 47 | 401129 | 55 |
| 130449 | 37 | 330781 | 55 | 401197 | 77 |
| 130450 | 35 | 331056 | 77, 89 | 4040153 | 89 |
| 130451TKA | 33 | 331420 | 89 | 410808 | 87 |
| 130455 | 21 | 331745 | 31, 47 | 411551 | 87 |
| 130461TKA | 21 | 331953 | 15, 47 | 411566 | 59 |
| 130498 | 37 | 331954 | 15, 47 | 411771 | 75 |
| 130511 | 37 | 332230 | 35 | 411818 | 63 |
| 130513 | 37 | 332314 | 61 | 412147 | 23, 73 |
| 130514 | 31 | 332392 | 83 | 412156 | 45 |
| 130648 | 13 | 332393 | 83 | 412317 | 9 |
| 130657 | 57 | 332394 | 83 | 412322 | 85 |
| 130659 | 11 | 332395 | 83 | 412323 | 85 |
| 130815 | 31 | 332396 | 83 | 412324 | 85 |
| 130836 | 35, 59 | 332397 | 85 | 412325 | 85 |
| 130920TKA | 9 | 332762TKA | 11, 47 | 412326 | 85 |
| 130921 | 9 | 332764 | 23, 47 | 412327 | 85 |
| 130924 | 21 | 332765 | 23, 47 | 412406 | 75, 81 |
| 130925 | 21 | 332767 | 31, 47 | 412704 | 73 |
| 130926 | 9 | 332768 | 31, 47 | 413069 | 85 |
| 130927 | 9 | 332771 | 39 | 413073 | 85 |
| 130928TKA | 9 | 332931 | 27, 47 | 413404 | 77 |
| 130930TKA | 25 | 332934TKA | 13, 47 | 413588 | 81 |
| 130932 | 11 | 332936 | 23, 47 | 413608 | 75 |
| 130934 | 55 | 332937 | 23, 47 | 414240 | 87 |
| 130946 | 55 | 332940 | 39 | 414470 | 13, 73 |
| 130950TKA | 65 | 332941 | 39 | 414524 | 85 |
| 130973 | 51 | 332942 | 39 | 416508 | 45 |
| 131063 | 19 | 332969 | 17, 47 | 416509 | 45 |
| 131064 | 21 | 332974 | 17 | 416510 | 45 |
| 131065 | 21 | 333096 | 31, 47 | 416511 | 45 |
| 131066 | 21 | 333097 | 31, 47 | 416512 | 45 |
| 131138 | 21 | 333098 | 31, 47 | 416513 | 45 |
| 132268 | 31, 65 | 333168 | 77 | 416514 | 45 |
| 132299 | 25 | 333512 | 11, 47 | 416515 | 45 |
| 2030348 | 13, 15, 19, 49 | 333821TKA | 15, 47 | 416516 | 45 |
| 2030386 | 99, 101 | 333833TKA | 27, 47 | 416517TKA | 45 |
| 2030393 | 51 | 333878 | 55 | 416518 | 45 |
| 2030400 | 57, 65 | 334087 | 15 | 416519 | 45 |
| 2030436 | 59 | 334088 | 15 | 416520 | 45 |
| 2030732 | 87 | 334089TKA | 15, 27, 47 | 416521 | 45 |
| 2030733 | 87 | 334090 | 19, 47 | 416539 | 63, 73 |
| 2040427 | 69 | 334160 | 19, 73 | 417835 | 75 |

INDEX NUMERICAL BY PART NUMBER



| | | | | | |
|--------|--------|-----------|--------------------|------------|-------------------------|
| 417836 | 75 | 449900 | 83 | 551800TKA | 53, 91, 97 |
| 417838 | 75 | 449901 | 83 | 91, 97 | |
| 417839 | 75 | 449902 | 83 | 551819 | |
| 417841 | 75 | 449903 | 83 | 551983 | 63 |
| 417842 | 75 | 449904 | 85 | 552001 | 53, 77, 89 |
| 417904 | 75 | 449905 | 85 | 552038 | 71 |
| 417941 | 75 | 449906 | 85 | 552086 | 19, 53, 61, 63, 65, 75, |
| 418064 | 75 | 449907 | 85 | 87, 89, 91 | |
| 418065 | 81 | 452177 | 45, 73 | 552114 | 57, 61 |
| 418283 | 73 | 452301 | 89 | 552155 | 101 |
| 420100 | 35, 73 | 452324 | 45 | 552208 | 39 |
| 420575 | 81 | 452554 | 75 | 552240 | 87 |
| 421190 | 79 | 5040843 | 75 | 552313 | 55 |
| 421191 | 79 | 510588 | 31 | 552539 | 65 |
| 421243 | 79 | 510592 | 27 | 552557 | 71 |
| 421244 | 79 | 510593 | 27 | 552636 | 77, 89 |
| 421405 | 51 | 510594 | 15, 23 | 552640 | 89 |
| 421700 | 35 | 510598TKA | 11 | 552752 | 59 |
| 440739 | 75 | 510607 | 31 | 552762 | 59 |
| 441196 | 75 | 510612 | 37 | 552796 | 63 |
| 442756 | 59 | 511146 | 15 | 552925 | 99, 101 |
| 444678 | 89 | 511147 | 27 | 552958 | 51, 57, 61, 71, 87 |
| 444679 | 89 | 511149 | 17 | 552959 | 51, 57, 61, 69, 71, 87 |
| 445087 | 59 | 511150TKA | 19 | 552963 | 71 |
| 445219 | 75 | 511151 | 13 | 552964 | 53, 77, 89, 97 |
| 446850 | 85 | 511152 | 23 | 552965 | 67, 77 |
| 447051 | 87 | 511153 | 23 | 552977 | 51, 61, 65, 91 |
| 448198 | 59 | 511154 | 25, 35 | 552979 | 91 |
| 448914 | 83 | 511155 | 25, 35 | 552991 | 67 |
| 448915 | 83 | 511156TKA | 27 | 552993 | 87 |
| 448917 | 83 | 511157 | 27, 29 | 552995 | 63 |
| 448918 | 83 | 511158 | 27 | 552996 | 59, 77 |
| 448920 | 83 | 511159 | 27 | 552999 | 93 |
| 448921 | 83 | 511161TKA | 45 | 553003 | 91 |
| 448935 | 83 | 511162 | 17 | 553013 | 91 |
| 448936 | 83 | 511188 | 9 | 553014 | 93 |
| 449181 | 59, 73 | 511205 | 35 | 553021 | 63 |
| 449282 | 75 | 511206 | 35 | 553089 | 61 |
| 449298 | 73 | 511207 | 35 | 553305 | 57 |
| 449417 | 81 | 511269 | 37 | 553364 | 55 |
| 449418 | 81 | 511648 | 77 | 553462 | 51, 91 |
| 449536 | 83 | 511677 | 99 | 553472 | 61 |
| 449544 | 83 | 512009 | 25 | 553490 | 51, 57 |
| 449545 | 83 | 512619 | 101 | 553512 | 71 |
| 449585 | 83 | 550346 | 59 | 553539 | 77, 89 |
| 449586 | 83 | 550401 | 59 | 553595 | 71 |
| 449587 | 83 | 550402 | 53 | 553623 | 53 |
| 449589 | 83 | 550411 | 59 | 553744 | 19 |
| 449590 | 83 | 550431 | 55 | 553834 | 69 |
| 449591 | 83 | 550451 | 93 | 553985 | 89 |
| 449600 | 83 | 550664 | 89 | 554021 | 99, 101 |
| 449601 | 85 | 550790 | 59 | 554118 | 59, 99, 101 |
| 449602 | 85 | 551417 | 53 | 554436 | 87 |
| 449631 | 83 | 551510TKA | 55 | 554515 | 51 |
| 449700 | 83 | 551511 | 55 | 554526 | 75 |
| 449701 | 83 | 551533 | 59 | 554560 | 67, 97 |
| 449758 | 75 | 551587 | 19, 63, 87, 89, 97 | 554593 | 9 |

INDEX NUMERICAL BY PART NUMBER



| | | | | | | |
|-----------|-------------------------|--------|-----------|----------------|-----------|---------|
| 554607 | | 33 | 556999 | 71 | 8101381 | |
| 554613 | | 59 | 557066 | 89 | 8101394 | |
| 554622TKA | 15, 27, 47 | 47 | 557123 | 71 | 8101398 | |
| 554644 | | 27 | 557412 | 71 | 8452324 | 45 |
| 554668 | | 21 | 557527 | 93 | 900305TKA | 97 |
| 554676 | | 35 | 557729 | 93 | 900331TKA | 69 |
| 554740 | | 63 | 557730 | 71 | 900383TKA | 91, 95 |
| 554742 | | 95 | 557731 | 95 | 900384TKA | 91, 95 |
| 554750 | | 39 | 557802 | 37 | 910112TKA | 101 |
| 554767 | | 101 | 558137 | 89 | 910113TKA | 99, 101 |
| 554952 | | 71 | 558337 | 71 | 910114 | 99, 101 |
| 554953 | 19, 51, 61, 63, 65, 75, | | 558437 | 19 | 910338TKA | 103 |
| 87, 91 | | | 558441 | 13, 15, 27, 31 | 910372TKA | 51 |
| 554954 | | 51, 87 | 558442 | 11 | 910860TKA | 75 |
| 555022 | 57, 59, 61, 87 | | 558448 | 35 | 910960TKA | 51 |
| 555078 | | 53 | 558620 | 35 | 912382 | 101 |
| 555081 | | 19 | 558626 | 33 | 912383TKA | 103 |
| 555205 | | 71 | 558653 | 65 | 912384 | 103 |
| 555292 | | 59 | 558717 | 23 | 912389 | 103 |
| 555400 | | 63 | 558752 | 53 | 913095 | 59 |
| 555418 | | 101 | 558852 | 9 | 913160 | 101 |
| 555617 | | 55 | 558853 | 13 | 913161 | 97, 101 |
| 555763 | 13, 23, 27 | | 558854TKA | 15 | 913162 | 97, 101 |
| 555772 | | 25 | 558855 | 17 | 913423TKA | 103 |
| 555780 | | 31 | 558856 | 17 | 913425 | 103 |
| 555792 | 27, 31, 69 | | 558858 | 13 | 913439TKA | 89 |
| 555801 | | 13, 25 | 558859 | 11 | 913542 | 11 |
| 555803 | | 11 | 558860 | 11 | 914146 | 87 |
| 555809 | 15, 19, 29 | | 558864 | 21 | 914148 | 103 |
| 555816 | 15, 17, 21 | | 558865TKA | 21 | 914511TKA | 103 |
| 555822 | | 35 | 558868 | 27 | 914512TKA | 103 |
| 555846 | | 35 | 558869 | 29 | 914823 | 19 |
| 555947 | | 99 | 558871 | 39 | 915315 | 31 |
| 556027 | | 101 | 558872 | 39 | 915699TKA | 71 |
| 556028 | 99, 101 | | 558894 | 45 | 915700TKA | 71 |
| 556029 | 99, 101 | | 558897 | 45 | 916284 | 103 |
| 556030 | 99, 101 | | 558898 | 45 | 916831 | 97 |
| 556176TKA | | 9 | 558979 | 97 | 917012 | 103 |
| 556187 | | 37 | 559011 | 63 | 917171TKA | 103 |
| 556188TKA | 23, 29, 31, 33 | | 559167 | 19 | 917191 | 19 |
| 556191 | 13, 17, 23 | | 559222 | 25 | 917217 | 65 |
| 556193 | | 11 | 559223 | 25 | 917229 | 97 |
| 556229 | | 9 | 559497 | 89 | 917231 | 97 |
| 556230 | | 35 | 559568 | 57 | 917233 | 61 |
| 556234 | | 15 | 559820 | 89 | 917234 | 61 |
| 556236 | | 15 | 559828 | 69 | 917530 | 87 |
| 556237 | 15, 19 | | 771427 | 31, 69 | 917782 | 63 |
| 556245 | | 11 | 771428 | 31, 69 | 918684TKA | 103 |
| 556246 | 11, 19 | | 772468 | 45 | 918699 | 105 |
| 556248 | | 31 | 772469 | 45 | 918810 | 103 |
| 556249 | 21, 69 | | 772654 | 89 | 919269 | 105 |
| 556250 | 21, 69 | | 772747 | 89 | 919447TKA | 103 |
| 556367 | 15, 41 | | 772752 | 31, 69 | 919918 | 103 |
| 556537 | | 17 | 772833 | 45 | 919919 | 103 |
| 556764 | | 69 | 772834 | 45 | 919920 | 105 |
| 556814 | | 71 | 780618 | 69 | 920109TKA | 107 |
| 556988 | | 89 | 781340 | 69 | 920225TKA | 71 |

INDEX NUMERICAL BY PART NUMBER



| | | | |
|-----------|----------|--------|-------------------|
| 920226TKA | 71 | 926715 | 91 |
| 920249TKA | 91 | 926716 | 97 |
| 920251TKA | 91 | 926717 | 97 |
| 920252TKA | 91 | 926718 | 97 |
| 920256TKA | 61 | 926722 | 97, 99 |
| 920260TKA | 91 | 927051 | 59 |
| 920265TKA | 91 | 927236 | 55 |
| 920266TKA | 97 | 927710 | 53 |
| 920267TKA | 97 | 928090 | 75 |
| 920269TKA | 87 | 928254 | 51 |
| 920271TKA | 107 | 930622 | 91 |
| 920272TKA | 107 | 930623 | 91 |
| 920274TKA | 107 | 930624 | 91 |
| 920275TKA | 107 | 930709 | 59 |
| 920276TKA | 107 | 931061 | 75 |
| 920861 | 57 | 931160 | 79 |
| 921236 | 103 | 980771 | 63 |
| 922504 | 103 | 980876 | 55 |
| 923341 | 57 | 985035 | 89 |
| 923828 | 103 | 985711 | 63 |
| 923865 | 59 | 985723 | 63 |
| 924305 | 103 | 985826 | 71 |
| 924977 | 103 | 987219 | 91 |
| 925112 | 103 | 987221 | 91 |
| 925113 | 103 | 987227 | 97 |
| 925114 | 105 | 987294 | 91 |
| 925115 | 103 | 987816 | 75 |
| 925116 | 103 | 987883 | 95 |
| 925117 | 91 | 987884 | 95 |
| 925118 | 91 | 987885 | 95 |
| 925249 | 71 | 987998 | 95 |
| 925250 | 71 | 988000 | 95 |
| 925252 | 71 | 988001 | 95 |
| 925253 | 71 | 988002 | 95 |
| 925254 | 57 | 988003 | 95 |
| 925258 | 63 | 988621 | 53 |
| 925265 | 61 | 991433 | 71 |
| 925266 | 87 | 991642 | 71 |
| 925267 | 87 | 991916 | 71 |
| 925269 | 97 | 993407 | 103 |
| 925270 | 97 | 993522 | 103 |
| 925271 | 105 | 993649 | 71 |
| 926370 | 107 | 993685 | 67, 81 |
| 926371 | 107 | 996377 | 93 |
| 926372 | 107 | 996599 | 91, 97 |
| 926389 | 103 | 997642 | 75 |
| 926414 | 95 | 998030 | 107 |
| 926415 | 95 | 998301 | 63, 67 |
| 926416 | 65 | 999234 | 103 |
| 926417 | 63 | 999938 | 105 |
| 926420 | 97 | 999939 | 105 |
| 926423 | 99 | | |
| 926424 | 105, 107 | N-A | 81, 107 |
| 926428 | 97 | NSS | 9, 25, 39, 55, 99 |
| 926429 | 97, 99 | | |
| 926430 | 99 | | |
| 926531 | 87 | | |

INDEX ALPHABETICAL BY DESCRIPTION



- * ANGLE - unit mount, **97**
 * ARM - rocker, **11**
 * ARMATURE (12V), **45**
 * BAFFLE - breather, **11**
 * BALL, **27**
 * BASE - clamp, **99, 101**
 * BEARING, **45, 89**
 * BEARING - connecting rod (0.25 mm os), **21**
 * BEARING - connecting rod (std), **21**
 * BEARING - main, **9**
 * BEARING - main (0.25 mm us), **9**
 * BEARING - thrust, **25**
 * BEARING - thrust (0.25 mm os), **9**
 * BEARING - thrust (std), **9**
 * BLOCK - cylinder, **9**
 * BLOWER, **89**
 * BOLT - bearing cap, **9**
 * BOLT - connecting rod, **21**
 * BOLT - eye, **35, 37, 39, 59**
 * BOLT - eye (with screen), **39**
 * BOLT - plate, **25**
 * BOLT - thru, cover, **45**
 * BOOT - plunger, **59**
 * BRACKET - fuel strainer, **51**
 * BUSHING - camshaft, **9**
 * BUSHING - idler gear, **25**
 * BUSHING - piston pin, **21**
 * CAP, **67**
 * CAP - bearing, **9**
 * CAP - joint, banjo, **37**
 * CAP - valve, **13**
 * CAP - vent, **63**
 * CASE - cover, **45**
 * CHAIN, **67**
 * CIRCLIP, **21**
 * CLAMP - hose (24), **11**
 * CLAMP - tube, **51**
 * CONNECTOR - plug (18-pin), **75**
 * CONNECTOR - plug (6-pin), **75**
 * CONNECTOR - relay, **75**
 * COVER - breather, **11**
 * COVER - dust, **45**
 * COVER - governor, **35**
 * COVER - oil pump, **27**
 * COVER - rear, **45**
 * DIAL - gauge, **55**
 * DISC - flex, **89**
 * ELEMENT - air cleaner, **57**
 * EXCITER - stator (14 ohm), **89**
 * FITTING - grease, **99, 101**
 * FLATWASHER, **33, 53, 89**
 * FUSE - (10A), **75**
 * FUSE - (30A), **75**
 * GASKET, **39, 47**
 * GASKET - adhesive (RTV silicone), **49**
 * GASKET - air heater, **47**
 * GASKET - copper (nozzle seat), **47**
 * GASKET - cover, **35**
 * GASKET - cylinder head (all 2200 rpm engine & 2600 rpm engines built before 3/08), **47**
 * GASKET - exhaust manifold, **47**
 * GASKET - flange, **47**
 * GASKET - fuel strainer, **51**
 * GASKET - intake manifold, **47**
 * GASKET - nozzle, **33**
 * GASKET - oil seal case, **47**
 * GASKET - ring, **39**
 * GASKET - thermostat case, **47**
 * GASKET - valve cover, **11, 47**
 * GASKET - water pump, **47**
 * GEAR - camshaft, **25**
 * GEAR - ring (11/08 & after), **21**
 * GEAR - ring (before 11/08), **21**
 * GREASE - plunger, **59**
 * GUIDE - valve (exhaust), **13**
 * GUIDE - valve (intake), **11**
 * HANDLE - clamp, **99, 101**
 * HOLDER - brush (not for 24V), **45**
 * HOLDER - nozzle, **43**
 * HOUSING - pump, **39**
 * INSERT, **97**
 * JOINT - banjo, **39**
 * JOINT - banjo (elbow, before engine S/N L68462), **39**
 * JOINT - banjo (elbow, engine S/N L68462 & after), **39**
 * JOINT - banjo (fuel in), **35**
 * JOINT - banjo (fuel out), **37**
 * JOINT - banjo (straight, before engine S/N L68462), **39**
 * JOINT - banjo (straight, engine S/N L68462 & after), **39**
 * JOINT - banjo (water), **35**
 * KEEPER - valve, **13**
 * KEY - gear, **21, 25**
 * KEYPAD, **75**
 * KIT - strainer & o-ring, **53**
 * KNOB - valve cover, **11**
 * LEVER, **45**
 * LEVER - control, **35**
 * LIFTER, **35**
 * LOCKWASHER, **35, 53, 59, 89**
 * NUT, **35, 53, 89, 99, 101**
 * NUT - ball joint, **35**
 * NUT - lever, **35**
 * NUT - rectifier, **89**
 * NUT (hexstop), **67**
 * O-RING, **11, 37, 39**
 * O-RING - cover, **11**
 * O-RING - fuel gauge, **55**
 * O-RING - fuel injection pump, **47**
 * O-RING - joint, **31**
 * O-RING - lifter, **35**
 * O-RING - plug, **37**
 * O-RING - pump, **37**
 * O-RING - solenoid, **35**
 * O-RING - stopper & eye bolt, **35**
 * O-RING - switch, **19, 73**
 * O-RING (12.0), **47**
 * O-RING (16.0), **47**
 * O-RING (20.0), **47**
 * O-RING (31.5), **47**
 * O-RING (32.0), **47**
 * O-RING (50.0), **47**
 * ORIFICE, **27**
 * PANEL - center (Maersk blue), **95**
 * PANEL - curbside (white), **95**
 * PANEL - roadside (Maersk blue), **95**
 * PAW - clamp, **99, 101**
 * PIN - piston, **21**
 * PIN - snap, **39**
 * PIN - spring, **11**
 * PIN - spring (slotted), **99, 101**
 * PINION - assembly, **45**
 * PISTON, **39**
 * PLATE - baffle, **11**
 * PLUG, **9, 13, 23, 27, 31, 35**
 * PLUG - drain, **19**
 * PLUG - frost (12 mm), **9**
 * PLUG - frost (30 mm), **9**
 * PLUG - frost (40 mm), **11**
 * PLUG - frost (50 mm), **9**
 * PLUG - pipe (1/4), **9**
 * PLUG - pipe (1/8), **9**
 * PLUG (1/8), **27**
 * PLUG (12 mm), **35**
 * PLUG (3/8), **27**
 * PLUNGER, **59**
 * PROTECTOR - nozzle, **47**
 * PUMP, **39**
 * PUMP - feed, **37**
 * RECTIFIER - negative, **89**
 * RECTIFIER - positive, **89**
 * RELAY, **75**

INDEX ALPHABETICAL BY DESCRIPTION



* RETAINER, **39**
 * RETAINER - shaft, **35**
 * RETAINER - spring, **13**
 * RETAINER - valve, **39**
 * RING SET (0.25 mm os), **21**
 * RING SET (0.50 mm os), **21**
 * RING SET (std), **21**
 * SCREEN - fuel strainer, **51**
 * SCREW, **51**
 * SCREW - chain, **67**
 * SCREW - cover, **11, 45**
 * SCREW - fan, **89**
 * SCREW - idler limit, **37**
 * SCREW - lifter, **35**
 * SCREW - pump (hex head), **37**
 * SCREW - pump (socket head), **37**
 * SCREW - retainer, **35**
 * SCREW - set, **101**
 * SCREW - shoulder, **99, 101**
 * SCREW - solenoid, **35**
 * SCREW - spacer, **53**
 * SCREW - unit mount, **97**
 * SEAL - copper, **33**
 * SEAL - oil, **15**
 * SEAL - valve stem (exhaust, marked w/ yellow stripe), **13**
 * SEAL - valve stem (exhaust), **47**
 * SEAL - valve stem (intake), **11, 47**
 * SHAFT - clamp, **99, 101**
 * SHAFT - rocker arm, **11**
 * SHIM - (0.5 mm), **69**
 * SHIM - (1 mm), **69**
 * SHIM (0.5 mm), **31**
 * SHIM (1 mm), **31**
 * SOLENOID - stop, **35**
 * SOLENOID (12V), **45**
 * SOLENOID (less plunger & eye bolt), **59**
 * SPACER, **9, 31, 53, 69**
 * SPACER - fan, **89**
 * SPRING, **11, 27, 39**
 * SPRING - lever, **35**
 * SPRING - piston, **39**
 * SPRING - valve, **13**
 * STOPPER, **35**
 * STUD - fan spacer (water pump, 5 mm longer than std), **69**
 * STUD - fuel pump, **15**
 * STUD - housing, **89**
 * STUD - valve cover, **11**
 * SUPPORT - rocker arm, **11**

* SWITCH - on/off, **75**
 * TAPPET, **39**
 * THERMOSTAT, **37**
 * TOOL - crimper, **85**
 * TOOL - wedge remover, **85**
 * VALVE, **39**
 * VALVE - check, **27**
 * VALVE - exhaust, **11**
 * VALVE - intake, **11**
 * VALVE (Schrader), **33**
 * WASHER - sealing (10), **47**
 * WASHER - sealing (12 mm), **35**
 * WASHER - sealing (14), **29**
 * WASHER - sealing (16), **47**
 * WASHER - sealing (18 mm), **35**
 * WASHER - sealing (8), **47**
 * WASHER - special, **99, 101**
 * WASHER - spring, **99, 101**
 * YOKE - assembly, **45**
 ** BRUSH - positive (not for 24V), **45**
 ** BRUSH (not for 24V), **45**
 ** CLUTCH - assembly, **45**
 ** GASKET - nozzle, **43**
 ** GASKET - water pump, **31**
 ** GUIDE, **39**
 ** NOZZLE, **43**
 ** NUT, **11**
 ** NUT - nozzle case, **43**
 ** O-RING - inner, **37**
 ** PIN, **39, 43**
 ** PLATE - stop, **43**
 ** RETAINER, **45**
 ** RETAINER - nozzle spring, **43**
 ** ROLLER, **39**
 ** SCREEN (brass, #30), **39**
 ** SCREW - field coil, **45**
 ** SCREW - valve adjust, **11**
 ** SHAFT - pinion, **45**
 ** SHIM SET, **43**
 ** SPRING, **27**
 ** SPRING - brush, **45**
 ** SPRING - nozzle, **43**
 ** STOPPER - pinion, **45**
 ** WASHER - sealing (14), **27**
 *** BEARING - ball, **45**

A

ADAPTER - 9-pin D PC to PC card (see service bulletin C061), **81**

ADAPTER - compressor tester, **33**
 ADAPTER - serial port to USB, **81**
 ALTERNATOR, **89**
 ANTENNA (w/ cable 3M), **79**

B

BALL - check, **55**
 BAR - locking, **97**
 BATTERY (950 CCA, posts), **87**
 BATTERY (950 CCA, threaded), **87**
 BELT - fan & water pump, **69**
 BOARD TERMINAL (6 terminals), **75**
 BOLT - eye, **27**
 BOLT - flywheel, **21**
 BOLT - v-pulley, **21**
 BOOT, **87**
 BOOT - switch, **75**
 BOX - control, **75**
 BRACKET - air cleaner, **57**
 BRACKET - air cleaner (Maersk blue), **57**
 BRACKET - battery cable, **87**
 BRACKET - battery cable (Maersk blue), **87**
 BRACKET - clip, **19**
 BRACKET - clip-on (curbside, dual mount, see 223G6), **97**
 BRACKET - clip-on (curbside, single mount, see 105C8), **97**
 BRACKET - clip-on (roadside, dual mount, see 223G6), **97**
 BRACKET - clip-on (roadside, single mount, see 105C8), **97**
 BRACKET - engine, **71**
 BRACKET - engine (front, Maersk blue), **71**
 BRACKET - engine (front), **71**
 BRACKET - engine (Maersk blue), **71**
 BRACKET - engine (rear, Maersk blue), **71**
 BRACKET - engine (rear), **71**
 BRACKET - exhaust tube, **61**
 BRACKET - exhaust tube (Maersk blue), **61**
 BRACKET - filter (incl 22 - 30), **27**

INDEX ALPHABETICAL BY DESCRIPTION

BRACKET - fuel strainer, **53**BRACKET - generator
(bottom), **71**BRACKET - generator (rear,
Maersk blue), **71**BRACKET - generator (rear), **71**BRACKET - module, **79**BRACKET - overflow tank, **63,**
65BRACKET - pump, **33**BRACKET - radiator (front), **65**BRACKET - solenoid, **59**BRACKET - speed control
(interim tier 4 engine), **59**BRACKET (lefthand), **99, 101**BRACKET (righthand), **99, 101**BUMPER - bulkhead, **91**BUMPER - lower, **91**BUSHING, **65****C**CABLE - battery (negative &
positive, post), **87**CABLE - battery (negative &
positive, threaded), **87**CABLE - data (15-pin D
connector, 9-pin D PC, 20
ft), **81**CABLE - data (15-pin D
connector, 9-pin D PC, 50
ft), **81**CABLE - data (5-pin
bayonet to 15-pin D
connectors), **81**CABLE - data (5-pin
threaded to 15-pin D), **81**CABLE - data (5-pin to 15-
pin D connectors), **81**CABLE - download (5 pin to
USB), **81**CABLE - download (9 pin to
5 pin), **81**CAM - feed pump, **25**CAMSHAFT (incl items 2
thru 5), **25**CAP, **75**CAP - dust (5-pin Deutsch), **81**CAP - dust (5-pin), **81**CAP - fuel tank (aluminum,
tethered), **55**CAP - fuel tank (aluminum), **55**CAP - fuel tank (locking), **55**CAP - fuel tank (steel), **55**CAP - hose, **19**CAP - oil fill, **15**CAP - radiator, **63**CAP (units w/o oil level
switch, push-in type), **19**CAP & CHAIN - overflow
tank, **67**CAP & CHAIN - overflow
tank (see 119E11), **63**CASE - gear, **15**CASE - oil seal, **17**CHAIN - cap, **81**CHANNEL - center, **91**CHANNEL - top (curbside), **91**CHANNEL - top (roadside), **91**CLAMP, **87**CLAMP - air cleaner, **57**CLAMP - heater, **51**CLAMP - hose, **31, 57, 63**CLEANER - air, **57**CLIP - hose, **19**COCK - drain, **31**COCK - drain (radiator), **63**CONNECTOR, **53**CONNECTOR - barb, **89**CONNECTOR - hose fitting
(3/8), **51**CONNECTOR - plug (5-pin), **75**CONNECTOR (3-pin, w/
seal), **83**CONNECTOR (6-pin, w/
seal), **83**CONNECTOR (6-pin), **83**CONTROLLER - SG 3000, **75**CONTROLLER -SG+ 3000, **75**COVER, **15**COVER - fuel sensor, **55**COVER - gear case, **15**COVER - harness, **89**COVER - oil pump (w/ check
valve), **27**COVER - retainer bolt
(curbside, Maersk blue, incl
latch #16), **97**COVER - retainer bolt
(curbside, white, incl latch
#16), **97**COVER - retainer bolt (rs,
Maersk blue, incl latch #16), **97**COVER - retainer bolt (rs,
white, incl latch #16), **97**COVER - sound shield, **15**COVER - thermostat, **31**COVER - valve, **11**CRANKSHAFT, **21****D**DIODE, **59**DIPSTICK, **19**DOOR - curbside, **91**DOOR - roadside, **91**DOOR (less keypad), **75****E**ELBOW, **53, 65**ELBOW - hose (45 degree), **19**ELBOW - hose (90 degree), **19**ELBOW - hose fitting (3/8), **51**ELBOW (1/4), **51**ELBOW (3/8), **55**ENGINE - TK486VG2 (new
exchange, 12V, 2200 rpm), **7, 9**ENGINE (TK486E, new
exchange), **7**ENGINE (TK486V, interim
TIER 4 compliant, 12V,
2200 rpm, new exchange), **7****F**FAN - radiator, **69**FILTER - fuel (EMI 3000), **51**FILTER - oil (EMI 3000), **29**FITTING - barb, **77**FITTING - indicator, **57**FITTING - oil drain (ESOC), **19**FITTING - oil drain w/cap, **19**FITTING - oil inlet (ESOC), **29**FLANGE, **13, 25**FLATWASHER, **19, 51, 53, 55,**
57, 59, 61, 63, 65, 71, 75, 77, 87,
89, 91, 101FLYWHEEL, **21**FRAME - fuel tank, **91****G**GASKET, **31**GASKET - adhesive, **15**GASKET - adhesive (RTV
silicone), **19**GASKET - air heater, **23**GASKET - copper (nozzle
seat), **13, 33, 43**GASKET - cover, **15, 89**GASKET - cylinder head, **13**GASKET - cylinder head
(2600 rpm engines built
after 3/08), **49**GASKET - exhaust manifold, **23**

INDEX ALPHABETICAL BY DESCRIPTION



GASKET - flange, **13**
 GASKET - fuel sensor, **55**
 GASKET - head (see Service Bulletin TT537), **13**
 GASKET - inlet, **23**
 GASKET - intake manifold, **23**
 GASKET - joint, **31**
 GASKET - liquid, **13**
 GASKET - muffler, **61**
 GASKET - oil filter bracket, **27**
 GASKET - oil seal case, **17**
 GASKET - receptacle, **77**
 GASKET SET (inc items 3, 4, 6, 16), **31**
 GAUGE - belt tension, **69**
 GAUGE - fuel, **55**
 GEAR - crankshaft, **21**
 GEAR - injection pump, **25**
 GEAR (w/ bushing), **25**
 GREASE, **99, 101**

H

HANGER - overflow tank, **63**
 HARNESS - download, **75**
 HARNESS - exciter, **75**
 HARNESS - main, **75**
 HARNESS - power, **79**
 HARNESS - relay, **75**
 HARNESS - RS485, **79**
 HARNESS - sensor, **73**
 HARNESS - switch, **75**
 HEAD - cylinder, **11**
 HEAD - fuel filter, **51**
 HEATER - air, **23**
 HEATER - air (see 204F7), **73**
 HEATER - frost plug, **9**
 HEATER - fuel, **51**
 HOSE - air cleaner, **57**
 HOSE - drain, **31**
 HOSE - engine to radiator, **63**
 HOSE - EPDM (3/8 x 25 ft), **63**
 HOSE - harness (cut to 26.0 inches), **89**
 HOSE - inj pump to water pump, **31**
 HOSE - oil drain (10 in long), **19**
 HOSE - oil drain (17 in long), **19**
 HOSE - outlet, **63**
 HOSE - overflow (25 ft), **63**
 HOSE - radiator to engine (top), **63**
 HOSE - vent (16.0 lg), **55**
 HOSE (1/4 od x 35 ft lg), **51**
 HOSE (3/8 od x 35 ft lg), **51, 55**

HOSE & CLAMPS (nozzle to nozzle), **33**
 HOSE & CLAMPS (nozzle to pump), **33**
 HOUSING - flywheel, **17**

I

INDICATOR - air restriction, **57**
 INLET - intake manifold, **23**
 INLET - intake manifold (see 204F7), **57**
 INSERT, **53**

J

JOINT - pump, **31**
 JOINT - rod to lever (socket only), **59**
 JOINT - solenoid to rod (socket & ball), **59**

K

KEY - gear, **25**
 KEYPAD & DOOR, **75**
 KIT - connectors (J1 & J4, replaces items 14 & 16), **77**
 KIT - crimper (w/ terminals), **85**
 KIT - fan spacer, **69**
 KIT - fuel return, **33**
 KIT - fuel strainer, **53**
 KIT - gasket set, **47**
 KIT - pin mount option, **97**
 KIT - sleeve & eyelet (1/4), **51**
 KIT - sleeve & eyelet (3/8), **51, 55**
 KIT - top covers (Maersk blue), **95**
 KIT - top panel (Maersk blue, see 261H8), **91**
 KIT - top panel (white, see 261H8), **91**
 KIT - top panel (white), **95**

L

LANYARD, **97**
 LATCH - door, **91, 97**
 LEVER - injection control, **59**
 LIFTER - engine, **13**
 LINER - service, **9**
 LOCKNUT, **61, 65**

LOCKWASHER, **5**
59, 61, 63, 69, 71, 77, 93, 97, 99
 LOCKWASHER (int tooth), **77**
 LOCKWASHER (internal tooth), **59, 87**

M

MANIFOLD - exhaust, **23**
 MANIFOLD - intake, **23**
 MARKSTRIP, **75**
 MODULE - composite, **79**
 MOUNT - vibration, **71**
 MUFFLER, **61**

N

NAMEPLATE - 15 kW, **103**
 NAMEPLATE - 460V, **103**
 NAMEPLATE - 950 CCA Battery, **37**
 NAMEPLATE - ACD (Crowley), **107**
 NAMEPLATE - arrow, **103**
 NAMEPLATE - California Proposition, **103**
 NAMEPLATE - Caution, **103**
 NAMEPLATE - Caution 230 Volts, **103**
 NAMEPLATE - Caution 460 Volts, **103**
 NAMEPLATE - Caution Left, **103**
 NAMEPLATE - Caution Right, **103**
 NAMEPLATE - Caution, Start/Stop, **105**
 NAMEPLATE - Caution, Start/Stop (multi-language), **105**
 NAMEPLATE - Caution, Volts, **107**
 NAMEPLATE - CE, **103**
 NAMEPLATE - Clean Filter Screen, **103**
 NAMEPLATE - Coolant, Extended Life, **105**
 NAMEPLATE - Crowley, **107**
 NAMEPLATE - Diesel Fuel Only, **103**
 NAMEPLATE - Document Holder, **103**
 NAMEPLATE - Fan Universal, **103**
 NAMEPLATE - FHWA, **103**

INDEX ALPHABETICAL BY DESCRIPTION



- NAMEPLATE - Gen.Set ID, **107**
 NAMEPLATE - Genstar Logo (supplied by customer), **107**
 NAMEPLATE - Hamburg Sud, **107**
 NAMEPLATE - Installation Instructions (CGCM & SGCM), **103**
 NAMEPLATE - Installation Instructions (CGCO & SGCO), **103**
 NAMEPLATE - Instructions Spanish, **107**
 NAMEPLATE - IR logo, **103**
 NAMEPLATE - MAE G, **105**
 NAMEPLATE - Maersk, **105, 107**
 NAMEPLATE - Maintenance, **103**
 NAMEPLATE - Operating Instructions (CGCM), **105**
 NAMEPLATE - Operating Instructions (CGSM), **105**
 NAMEPLATE - Property of Transamerica, **107**
 NAMEPLATE - Radiator Fill, **103**
 NAMEPLATE - Smart Gen-Set Menu List, **103**
 NAMEPLATE - Smart Gen-Set Menu List (Spanish), **105**
 NAMEPLATE - Smart Gen-Set Operating Instructions, **103**
 NAMEPLATE - Smart Gen-Set Operating Instructions (Spanish), **103**
 NAMEPLATE - Thermo King (black letters), **103**
 NAMEPLATE - Thermo King (white letters), **103**
 NAMEPLATE - TK (CGCM & SGCM), **103**
 NAMEPLATE - Transamerica, **107**
 NAMEPLATE - Warning, Ether, **103**
 NAMEPLATE - Weight, **107**
 NAMEPLATE - weight (Yang Ming Line), **107**
 NAMEPLATE - Wiring/ Schematic Diagram, **103**
 NAMEPLATE - on/off, **75**
 NOZZLE - injection (2200 rpm engine), **33**
 NOZZLE - injection (2600 rpm engine), **33**
 NUT, **15, 19, 23, 25, 27, 31, 39, 51, 57, 59, 61, 63, 71, 87, 89, 91, 93, 97, 101**
 NUT - base, **51**
 NUT - captive, **75**
 NUT - controller, **75**
 NUT - fitting, **77**
 NUT - ground, **77**
 NUT - harness & diode, **59**
 NUT - holddown, **87**
 NUT - hose fitting (3/8), **55**
 NUT - solenoid, **59**
 NUT (1/4), **51**
 NUT (3/8), **51**
 NUTSTRIP - bracket, **99**
- O**
- O-RING, **15, 39, 77, 89**
 O-RING - cap, **15**
 O-RING - dipstick, **19**
 O-RING - gear case (16 mm), **15**
 O-RING - gear case (20 mm), **15**
 O-RING - injection pump, **15**
 O-RING - pipe, **27**
 ORIFICE - radiator, **63**
- P**
- PAD - radiator (top), **63**
 PANEL - center (Maersk blue, use 90-383), **95**
 PANEL - center (white, use 90-384), **95**
 PANEL - curbside (Maersk blue, Star Track), **95**
 PANEL - curbside (Maersk blue, use 90-383), **95**
 PANEL - curbside (white, use 90-384), **95**
 PANEL - roadside (white, use 90-384), **95**
 PIN - dowel, **15, 17, 21, 89**
 PIN - sealing, **85**
 PIN - spring, **21**
 PIN - terminal (w/o wire), **83**
 PIN (8-10 ga), **85**
 PIPE - breather, **11**
 PIPE - fuel injection, **33**
 PIPE - oil, **27**
 PIPE - oil pickup, **27**
 PISTON (std, incl 2-4), **21**
 PISTON (w/ ring, 0.25 mm os), **21**
- PISTON (w/ ring os), **21**
 PLUG, **27, 31**
 PLUG - access hole, **17**
 PLUG - assembly (w/ 6-in wires), **85**
 PLUG - button, **77**
 PLUG - fuse, **55**
 PLUG - pipe, **55**
 PLUG (1 terminal), **85**
 PLUG (12-pin, w/ seal), **83**
 PLUG (2-pin, w/ seal), **83**
 PLUG (4-pin, w/ seal), **83**
 PLUG (8-pin, w/ seal), **83**
 POUCH - service information and records, **103**
 PROTECTOR - nozzle, **13, 33, 43**
 PULLEY - crankshaft, **21**
 PULLEY - crankshaft (see 204F6), **69**
 PULLEY - water pump, **31**
 PULLEY - water pump (see 204F0), **69**
 PUMP - coolant (ELC compatible), **31**
 PUMP - fuel (see 142F8), **51**
 PUMP - fuel injection (2200 rpm, see 204G1), **25, 27**
 PUMP - fuel injection (2200 rpm, see 204G2), **33**
 PUMP - fuel injection (2200 rpm), **35**
 PUMP - fuel injection (2600 rpm, see 205C5), **25, 33**
 PUMP - fuel injection (2600 rpm), **27**
 PUMP - fuel, complete, **39**
 PUMP - injection (see 204G2), **51**
 PUMP - water (ELC compatible, see 204F0), **65**
- R**
- RADIATOR, **63**
 RECEPTACLE - 460 V, **77**
 RECEPTACLE - assembly (w/ 6-in wires), **85**
 RECEPTACLE (1 terminal), **85**
 RECEPTACLE (12-pin), **85**
 RECEPTACLE (2-pin), **83**
 RECEPTACLE (3-pin), **83**
 RECEPTACLE (4-pin), **83**
 RECEPTACLE (8-pin), **83**
 RELAY - power, **75**



RETAINER - nozzle, **13**
 RETAINER - tube (3 tubes), **33**
 RETAINER - tube (4 tubes), **33**
 ROD - connecting, **21**
 ROD - holddown, **87**
 ROD - push, **25**
 ROD - speed control, **59**
 ROTOR - inner, **27**
 ROTOR - outer, **27**

S

SADDLE - u-bolt, **61**
 SCREEN - radiator, **63**
 SCREW, **53, 65**
 SCREW - adapter, **57**
 SCREW - base, **51**
 SCREW - bracket, **57, 59, 61, 71, 87, 99, 101**
 SCREW - bracket (20 mm), **29**
 SCREW - bracket (45 mm), **29**
 SCREW - bracket (75 mm), **29**
 SCREW - bumper, **91**
 SCREW - cam, **25**
 SCREW - case (16 mm), **15**
 SCREW - case (30 mm), **17**
 SCREW - case (35 mm), **17**
 SCREW - case (45 mm), **15**
 SCREW - clamp, **51, 57**
 SCREW - clip, **19**
 SCREW - cover, **89**
 SCREW - cover (12 mm), **15**
 SCREW - cover (55 mm), **15**
 SCREW - cover (85 mm), **15**
 SCREW - cylinder head, **13**
 SCREW - disc to flywheel, **89**
 SCREW - door, **93**
 SCREW - engine bracket, **71**
 SCREW - exhaust manifold (40 mm), **23**
 SCREW - fan (CGCO & SGCO), **69**
 SCREW - fan (CGSM, SGSM, CGCM & SGCM), **69**
 SCREW - flange, **13**
 SCREW - frame, **71**
 SCREW - gear, **25**
 SCREW - generator bracket, **71**
 SCREW - hanger, **63**
 SCREW - housing, **17**
 SCREW - housing (25 mm), **17**
 SCREW - housing (30 mm), **17**
 SCREW - idler limit (genset units), **37**
 SCREW - inlet (35 mm), **23**
 SCREW - intake manifold (20 mm), **23**
 SCREW - intake manifold (80 mm), **23**
 SCREW - joint, **31**
 SCREW - lifter, **13**
 SCREW - muffler, **61**
 SCREW - nozzle retainer, **13**
 SCREW - oil base (120 mm), **19**
 SCREW - oil base (25 mm), **19**
 SCREW - oil base (45 mm), **19**
 SCREW - oil base (85 mm), **19**
 SCREW - oil pump, **27**
 SCREW - orifice, **63**
 SCREW - panel, **95**
 SCREW - pipe (16 mm), **27**
 SCREW - plug (M12 x 16), **17**
 SCREW - pulley, **69**
 SCREW - pump, **31**
 SCREW - retainer, **33**
 SCREW - sensor/cover, **55**
 SCREW - shield, **97**
 SCREW - spacer, **91**
 SCREW - starter, **45**
 SCREW - strap to engine, **87**
 SCREW - strap to frame, **87**
 SCREW - support, **33, 91**
 SCREW - support (25 mm), **11**
 SCREW - support (50 mm), **11**
 SCREW - tank, **63**
 SCREW - thermostat, **31**
 SEAL, **83, 85**
 SEAL - oil (axial), **17**
 SEAL - washer (10), **27**
 SEALANT, **65**
 SEALER - diode, **59**
 SEALER - thread, **51, 57**
 SEAT - valve (exhaust), **13**
 SEAT - valve (intake), **13**
 SENSOR - fuel level, **55**
 SENSOR - rpm, **73**
 SENSOR - water level, **63**
 SENSOR - water temperature, **63, 73**
 SHAFT - idler gear, **25**
 SHAFT - rocker arm, **11**
 SHAFT - water bleed, **51**
 SHIELD - exhaust tube, **97**
 SHIELD - exhaust tube (Maersk blue), **97**
 SHIELD - muffler, **97**
 SHIELD - muffler (Maersk blue), **97**
 SHIELD - radiator fan, **97**
 SHIELD - radiator fan (Maersk blue), **97**
 SHROUD - radiator, **63**
 SLEEVING - insulating, **73**
 SOCKET (8-10 ga), **73**
 SOLENOID - speed, **73**
 SOLENOID - stop (see 204G2), **73**
 SOLENOID - stop (SLX & SLXe units only after 10/14, see note), **35**
 SOLENOID - throttle, **59**
 SPACER, **71**
 SPACER - bracket, **101**
 SPACER - bumper, **91**
 SPACER - door latch, **91**
 SPEEDI SLEEVE - front seal, **15, 21**
 SPUD - fuel filter, **51**
 STARTER, **73**
 STARTER - remanufactured, **45**
 STARTER - standard life plus, **45**
 STARTER (12V), **45**
 STRAINER - fuel (complete), **51**
 STRAP - battery holddown, **87**
 STRAP - battery holddown (Maersk blue), **87**
 STRAP - ground (20 in lg), **87**
 STRIP - bumper, **93**
 STRIP - foam, **97**
 STUD - exhaust manifold, **23**
 STUD - fuel pump, **41**
 STUD - injection pump, **15**
 STUD - power pack, **71**
 SUMP - oil (lower), **19**
 SUMP - oil (upper), **19**
 SUPPORT - center, **91**
 SUPPORT - pouch, **103**
 SUPPORT - right, **91**
 SUPPORT - top shelf, **91**
 SUPPORT - vertical (roadside), **91**
 SWITCH - oil level, **73**
 SWITCH - oil level (threaded type), **19**
 SWITCH - oil pressure, **73**

T

TAB - mounting (for 8-pin connector only), **85**
 TAB - mounting (for all connectors except the 8-pin connector), **85**
 TANK - expansion, **63**
 TANK - fuel (see Structural Component grid), **55**
 TANK - overflow, **63**

INDEX ALPHABETICAL BY DESCRIPTION



TAPPET, **25**

TERMINAL - pin (w/ 6-in wire lead), **83**

TERMINAL - socket (w/ 6-in wire lead), **83**

TERMINAL - socket (without wire), **83**

TERMINAL - solenoid (part of main harness), **59**

TESTER - compression, **33**

THERMOSTAT (160 F, 71 C), **31**

TOOL - injection pump gear remover, **15**

TOOL - seal installer, **17**

TOOL - seal remover, **17**

TUBE - exhaust, **61**

TUBE - fuel feed, **55**

TUBE - sponge (insulation, cut to 11.0 in lg), **11**

U

U-BOLT, **61**

V

VALVE - fuel injection, **43**

VALVE - oil drain, **19**

VENT, **55**

W

WASHER, **13, 21, 25, 69**

WASHER - belleville, **93**

WASHER - belleville (3/8, ss), **71**

WASHER - sealing, **15, 31**

WASHER - sealing (8), **27**

WASHER - special, **71, 95**

WEDGE, **83, 85**



Website: www.transicold.net
Email: sales@tktransicold.com

Website: www.transicold.net
Email: sales@tktransicold.com

Website: www.transicold.net
Email: sales@tktransicold.com

Website: www.transicold.net
Email: sales@tktransicold.com



Ingersoll Rand's Climate Solutions sector delivers energy efficient HVACR solutions for customers globally. Its world class brands include Thermo King, the leader in transport temperature control and Trane, a provider of energy efficient heating, ventilating and air conditioning systems, building and contracting services, parts support and advanced controls for commercial buildings and homes.

Distributed by:

Thermo King Corporate

314 West 90th Street
Minneapolis, MN 55420
Direct (952) 887-2200